



View this machine and more at:

<https://www.thesewingstudio.co.uk>

User's Guide

Jade™ | 20



This household sewing machine is designed to comply with IEC/EN 60335-2-28 and UL1594.

IMPORTANT SAFETY INSTRUCTIONS

When using an electrical appliance, basic safety precautions should always be followed, including the following:

Read all instructions before using this household sewing machine. Keep the instructions at a suitable place close to the machine. Make sure to hand them over if the machine is given to a third party.

DANGER –TO REDUCE THE RISK OF ELECTRIC SHOCK:

- A sewing machine should never be left unattended when plugged in. Always unplug this sewing machine from the electric outlet immediately after using and before cleaning, removing covers, lubricating or when making any other user servicing adjustments mentioned in the instruction manual.

WARNING –TO REDUCE THE RISK OF BURNS, FIRE, ELECTRIC SHOCK, OR INJURY TO PERSON:

- Do not allow to be used as a toy. Close attention is necessary when this sewing machine is used by or near children.
- Use this sewing machine only for its intended use as described in this manual. Use only attachments recommended by the manufacturer as contained in this manual.
- Never operate this sewing machine if it has a damaged cord or plug, if it is not working properly, if it has been dropped or damaged, or dropped into water. Return the sewing machine to the nearest authorized dealer or service center for examination, repair, electrical or mechanical adjustment.
- Never operate the sewing machine with any air openings blocked. Keep ventilation openings of the sewing machine and foot control free from the accumulation of lint, dust, and loose cloth.
- Keep fingers away from all moving parts. Special care is required around the sewing machine needle.
- Always use the proper needle plate. The wrong plate can cause the needle to break.
- Do not use bent needles.
- Do not pull or push fabric while stitching. It may deflect the needle causing it to break.
- Wear safety glasses.
- Switch the sewing machine off (“0”) when making any adjustment in the needle area, such as threading needle, changing needle, threading bobbin, or changing presser foot, etc.
- Never drop or insert any object into any opening.
- Do not use outdoors.
- Do not operate where aerosol (spray) products are being used or where oxygen is being administered.
- To disconnect, turn all controls to the off (“0”) position, then remove plug from outlet.
- Do not unplug by pulling on cord. To unplug, grasp the plug, not the cord.
- The foot control is used to operate the machine. Avoid placing other objects on the foot control.
- Do not use the machine if it is wet.

- If the LED lamp is damaged or broken, it must be replaced by the manufacturer or its service agent or a similarly qualified person, in order to avoid a hazard.
- If the cord connected with the foot control is damaged, it must be replaced by the manufacturer or its service agent or a similarly qualified person, in order to avoid a hazard.
- This sewing machine is provided with double insulation. Use only identical replacement parts. See instructions for Servicing of Double-Insulated Appliances.

SAVE THESE INSTRUCTIONS

FOR EUROPE ONLY:

This appliance can be used by children aged from 8 years and above and persons with reduced physical, sensory or mental capabilities or lack of experience and knowledge if they have been given supervision or instruction concerning use of the appliance in a safe way and understand the hazards involved. Children shall not play with the appliance. Cleaning and user maintenance shall not be made by children without supervision.

The noise level under normal operating conditions is less than 70 dB.

The machine must only be used with foot control of type C-9002 manufactured by CHIEN HUNG TAIWAN Ltd.

FOR OUTSIDE EUROPE:

This sewing machine is not intended for use by persons (including children) with reduced physical, sensory or mental capabilities, or lack of experience and knowledge, unless they have been given supervision or instruction concerning use of the sewing machine by a person responsible for their safety. Children should be supervised to ensure that they do not play with the sewing machine.

The noise level under normal operating conditions is less than 70 dB.

The machine must only be used with foot control of type C-9002 manufactured by CHIEN HUNG TAIWAN Ltd.

SERVICING OF DOUBLE INSULATED PRODUCTS

In a double-insulated product, two systems of insulation are provided instead of grounding. No ground means is provided on a double-insulated product, nor should a means for grounding be added to the product. Servicing of a double-insulated product requires extreme care and knowledge of the system and should be done only by qualified service personnel. Replacement parts for a double-insulated product must be identical to those parts in the product. A double-insulated product is marked with the words 'DOUBLE INSULATION' or 'DOUBLE INSULATED'.

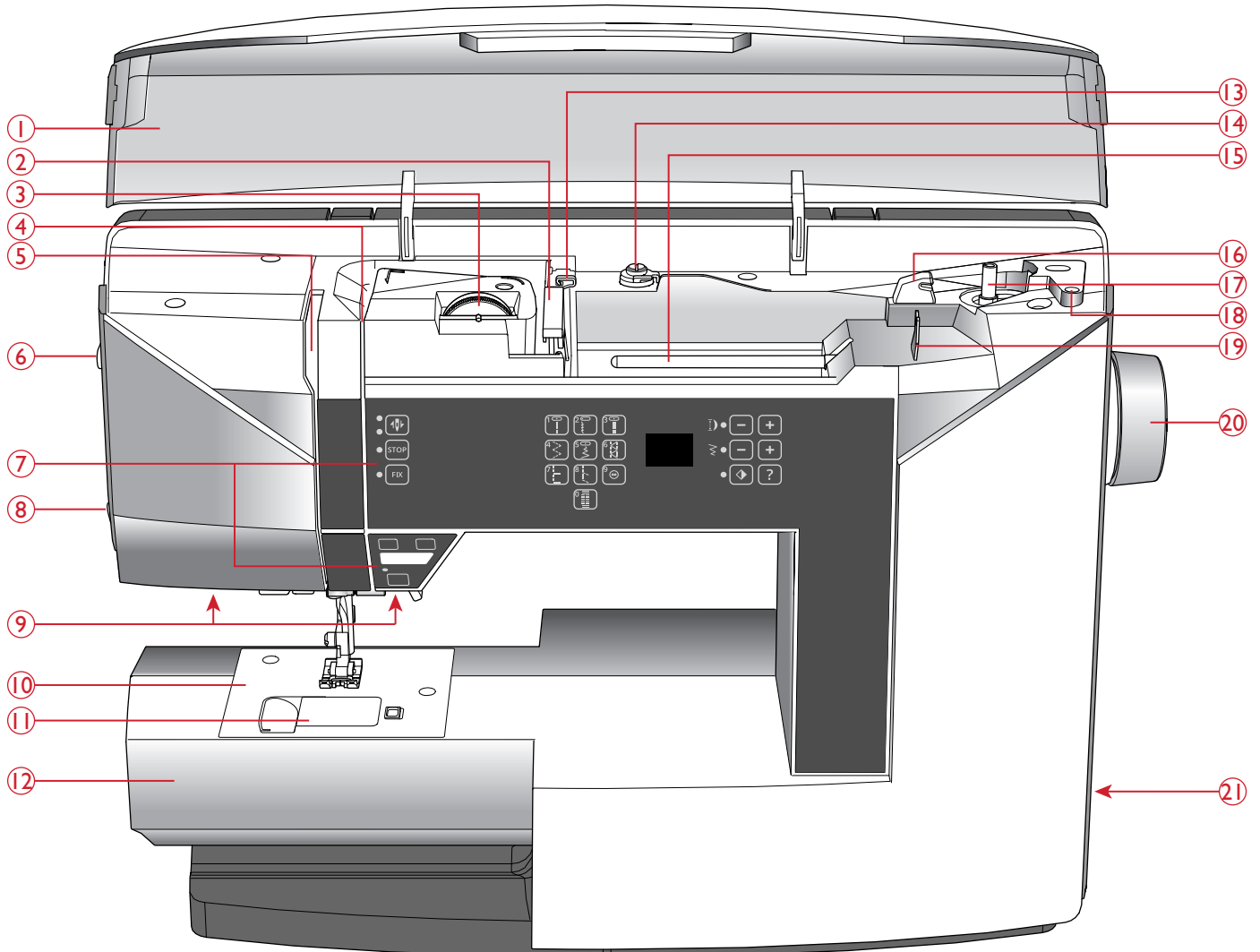
TABLE OF CONTENTS

I	Introduction	5	3	Sewing	26
	Machine Overview	5		Selecting a Stitch.....	26
	Front	5		Stitch Settings	26
	Needle Area	6		Stitch Length/Stitch Density	26
	Rear Side	6		Stitch Width/Needle Position.....	27
	Storage Box	6		Mirror Side to Side	27
	Accessory Tray	6		Sewing Guide	28
	Accessories.....	7		Fabric Selection	28
	Included Accessories	7		Sewing Techniques	29
	Presser Feet.....	8		Basic Sewing Techniques.....	30
	Stitch Overview.....	9		Seam.....	30
	Utility Stitches	9		Overcast.....	31
	Quilt Stitches.....	11		Seam and Overcast.....	31
	Decorative Stitches.....	11		Baste.....	32
2	Preparations	12		Blind Hem	32
	Unpacking.....	12		Hem	33
	Connect the Power Cord and Foot			Sewing Buttonholes.....	34
	Control.....	13		Sewing on Buttons	37
	Pack Away After Sewing.....	13		Sewing Zippers.....	38
	LED Lights	13		Darning and Mending.....	39
	Free Arm.....	14		Bartack (Manual).....	39
	Mounting Machine in Sewing Cabinet.....	14		Quilting.....	40
	Spool Pins.....	14	4	Maintenance	42
	Threading the Machine	15		Cleaning the Machine	42
	Needle Threader	16		Cleaning the Bobbin Area.....	42
	Cutting the Thread	16		Cleaning Under the Bobbin Area	42
	Threading for Twin Needle.....	17		Replacing the Needle Plate.....	43
	Bobbin Winding.....	18		Troubleshooting.....	43
	Winding From Horizontal Position	18		Technical Specification	45
	Winding Through the Needle.....	19		Index	47
	Inserting the Bobbin.....	19			
	Thread Tension.....	20			
	Lowering the Feed Teeth.....	20			
	Needles.....	21			
	Important Needle Information	21			
	Changing the Needle.....	22			
	Presser Foot Pressure.....	22			
	Presser Foot Lift.....	22			
	Changing the Presser Foot.....	22			
	Function Buttons.....	23			
	Needle Stop Up/Down With Indicator.....	23			
	STOP Function	23			
	FIX Function	23			
	Speed + and -	23			
	Start/Stop.....	24			
	Reverse	24			
	Stitch Selection Buttons.....	24			
	Stitch Length.....	24			
	Stitch Width/Needle Position.....	24			
	Mirror Side to Side	24			
	View Presser Foot Recommendation	24			
	Warning Messages.....	25			

I Introduction

Machine Overview

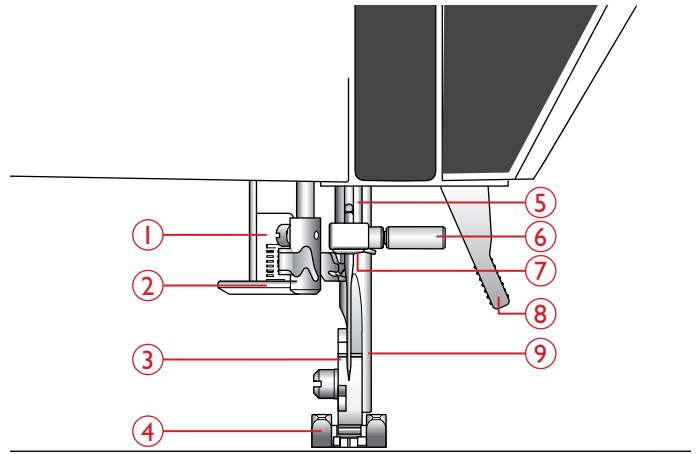
Front



- | | |
|-------------------------------|--|
| 1. Lid with stitch overview | 12. Free arm |
| 2. Thread guide | 13. Thread guide for auxiliary spool |
| 3. Thread tension dial | 14. Bobbin winder thread guide and tension disc |
| 4. Thread tension discs | 15. Spool pin |
| 5. Thread take-up lever | 16. Thread cutter for bobbin thread |
| 6. Presser foot pressure dial | 17. Bobbin spindle, bobbin stop |
| 7. Buttons and LED display | 18. Hole for auxiliary spool pin |
| 8. Thread cutter | 19. Thread guide for bobbin winding through the needle |
| 9. LED lights | 20. Handwheel |
| 10. Needle plate | 21. ON/OFF switch, sockets for power cord and foot control |
| 11. Bobbin cover | |

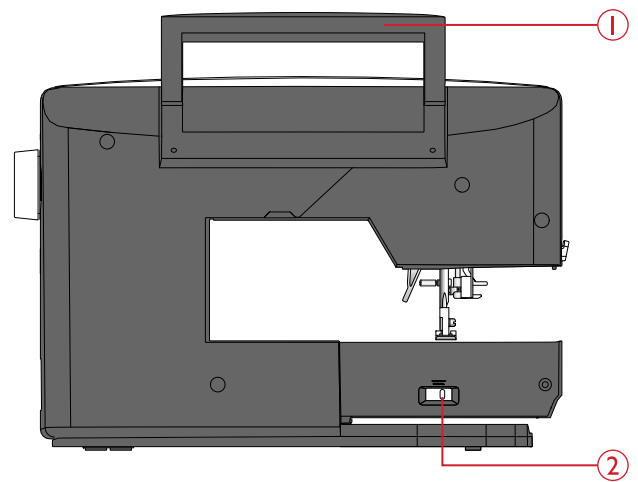
Needle Area

1. Buttonhole lever
2. Needle threader
3. Presser foot ankle
4. Presser foot
5. Needle bar
6. Needle clamp screw
7. Needle thread guide
8. Presser foot lift
9. Presser bar



Rear Side

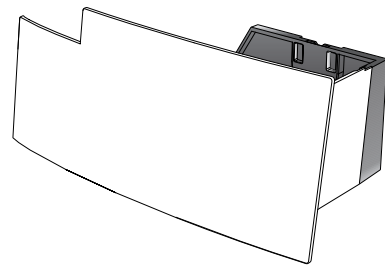
1. Handle
2. Drop feed teeth switch



Storage Box

The storage box is for storing the foot control, power cord and any accessories.

For instructions on how to remove the storage box from the machine, see [Unpacking](#), page 12.



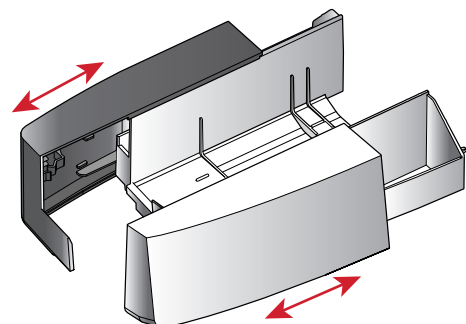
Accessory Tray

Store the accessories in the tray so they are easily accessible.

Keep the accessory tray on the machine to provide a larger, flat work surface.

Open the Accessory Tray

Open and close the compartments of the accessory tray by sliding them as illustrated.



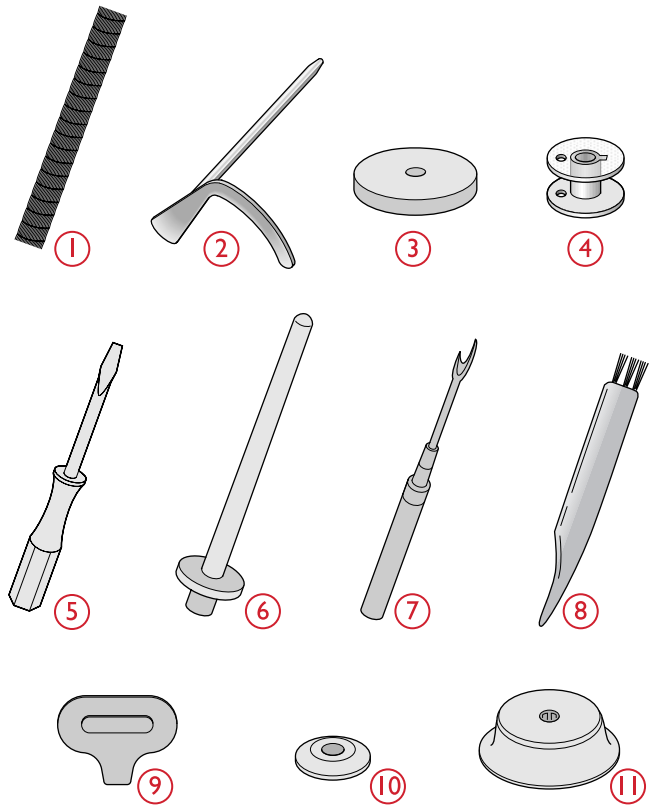
Accessories

Included Accessories

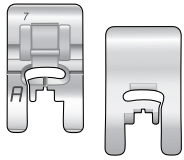
1. Thread net
2. Edge guide
3. Felt pad (2)
4. Bobbins (5, one is on the machine)
5. Screwdriver
6. Auxiliary spool pin
7. Seam ripper
8. Brush. Use the sharp edge of the brush to clean the area around the feed teeth.
9. Screwdriver for needle plate
10. Spool cap, small
11. Spool cap, large

Included Accessories Not in Picture

- Foot control
- Power cord
- Needles

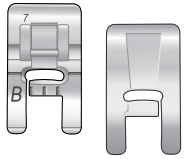


Presser Feet



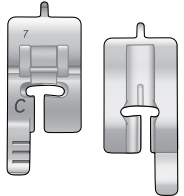
Utility Foot A

Attached on the machine upon delivery. This foot is used mainly for straight stitching and zigzag stitching with a stitch length longer than 1.0.



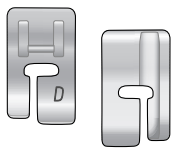
Decorative Stitch Foot B

When sewing decorative stitches or short zigzag stitches and other utility stitches with less than 1.0 mm stitch length, use this foot. The tunnel on the underside of the foot is designed to feed smoothly over the stitches.



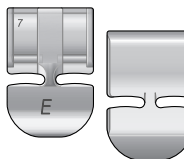
Buttonhole Foot C

This foot is used for sewing buttonholes step by step. Use the guide lines on the toe of the foot to position the garment edge. The two tunnels on the bottom of the foot ensures a smooth feed over the buttonhole columns. The finger on the back of the foot holds cording for corded buttonhole.



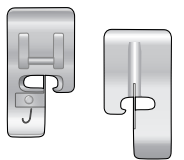
Blind Hem Foot D

This foot is used for blind hem stitches. The inner edge of the foot guides the fabric. The right toe of the foot is designed to ride along the hem edge.



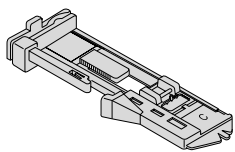
Zipper Foot E

This foot can be snapped on either to the right or to the left of the needle, making it easy to sew close to both sides of the zipper teeth. Move needle position to the right or left to sew closer to the zipper teeth or for covering large cording.



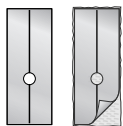
Edging Foot J

This foot is used for overcasting and seam/overcasting. Stitches form over the pin which prevents puckering at the edge of the fabric.



One-Step Buttonhole Foot C

This foot has a space in the back for a button used to set the size of the buttonhole. The machine will sew a buttonhole to fit that button size. Used to sew buttonholes up to 25 mm.









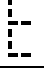





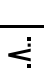
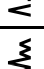
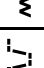
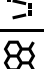
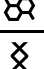
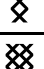








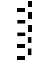



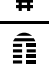



Self-Adhesive Glide Plate

If sewing on foam, vinyl, plastic, or leather, the material can stick to the foot and prevent the sewing machine from feeding properly. When using any of the above materials, sew on a piece of scrap fabric, to make sure the machine feeds smoothly. If not, fasten the self-adhesive glide plate to the underside of the presser foot.

Stitch Overview

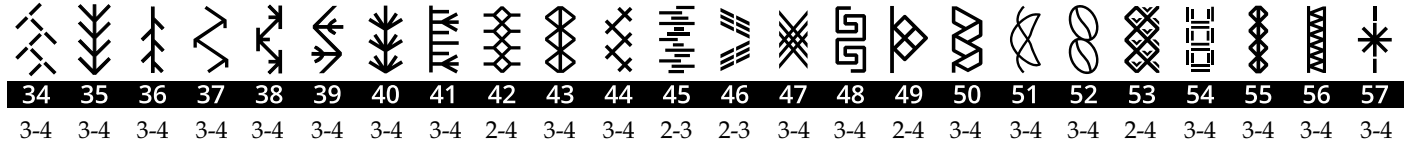
Utility Stitches

Stitch	Nº	Presser foot	Thread tension	Name	Description
	0	One-Step Buttonhole Foot/C	3–4	Bartack buttonhole	Standard buttonhole for most fabric weights.
	1	A	4–5	Straight stitch, center needle position	For all types of sewing.
	2	A	3–5	Stretch stitch, left needle position	For seams in tricot and stretch fabrics.
	3	A	3–4	Reinforced straight stitch, center needle position	Triple and elastic, for reinforced seams. For topstitch, increase the stitch length.
	4	J	3–5	Three-step zigzag	For overcasting, mending, sewing on patches and elastic. Suitable for light and medium weight fabrics.
	5	A	3–4	Zigzag	For sewing on lace, trims and appliqués.
	6	B	4–5	Flatlock stitch	Decorative hems and overlapped seams, belts and bands. For medium/heavy stretch fabrics.
	7	J	4–5	Seam/overcast stitch	Seam and overcast in one step along the edge or trim later. For light stretch and non-stretch fabrics.
	8	B	4–5	Stretch seam/overcast stitch	Seam and overcast in one step along the edge or trim later. For medium and heavy stretch fabrics.
	9	–	3–4	Automatic button sewing	For sewing on buttons.
	10	A	3–5	Two-step zigzag	For joining two pieces of lace, and for elastic shirring.
	11	A	3–4	Reinforced zigzag	For joining fabric edge to edge or overlapping in leather. For decorative sewing.
	12	B	4–5	Double overlock stitch	Seam and overcast in one step along the edge or trim later. For heavy stretch and heavy woven fabrics.
	13	D	2–4	Woven blind hem stitch	Blind hems in medium and heavy woven fabrics.
	14	D	3–4	Stretch blind hem stitch	Blind hems in medium and heavy stretch fabrics.
	15	B	4–5	Elastic/casing stitch	For overlapped seams in tricot. To sew casing over narrow elastic.
	16	B	3–5	Honeycomb stitch	Decorative stitch for stretch fabrics and hems. Also used with elastic thread in the bobbin.
	17	B	2–4	Cross stitch	Decorative stitch.
	18	B	2–4	Double cross stitch	Decorative stitch.
	19	B	3–4	Herringbone stitch	Elastic decorative hem for stretch fabrics.

Stitch	№	Presser foot	Thread tension	Name	Description
	20	A	4–5	1/4" seam stitch	Sews straight stitch 1/4" from the right edge of the presser foot A.
	21	*P/A	6–8	Hand-look quilt stitch	Imitates hand quilt stitch. Thread the needle with invisible thread and the bobbin with light weight soft cotton thread in a color to compliment quilt.
	22	B	3–5	Serpentine stitch	For mending and elastic applications.
	23	B	3–4	Straight stitch scallop	Creates beautiful rows of channel quilting.
	24	A	3–4	Appliqué stitch	For appliqués.
	25	B	3–4	Appliqué stitch	For appliqués.
	26	A	3–5	Appliqué stitch	For appliqués.
	27	B	2–3	Satin/appliqué stitch	For appliqués, rounded edge, sewing on laces and bands.
	28	B	3–4	Darning stitch	Darn and mend small holes in work clothes, jeans, tablecloths and linen towels. Stitch over the hole, press reverse for continuous darning and auto stop.
	29	B	3–4	Bartack, manual	Reinforce pockets, shirt openings, belt loops as well as at lower end of a zipper.
	30	One-Step Buttonhole Foot/C	3–4	Round end buttonhole	For blouses and children's garments.
	31	One-Step Buttonhole Foot/C	3–4	Medium/heavy reinforced buttonhole	For medium and heavy fabrics
	32	One-Step Buttonhole Foot/C	3–4	Heirloom buttonhole	For hand look on fine and delicate fabrics. <i>Tip: For jeans buttonholes, increase length and width of the buttonhole. Use thicker thread.</i>
	33	One-Step Buttonhole Foot/C	3–4	Keyhole buttonhole	Square end for tailored jackets, coats, etc.

*P: Quilter's 1/4" Piecing Foot (optional accessory, part number 4127855-45).

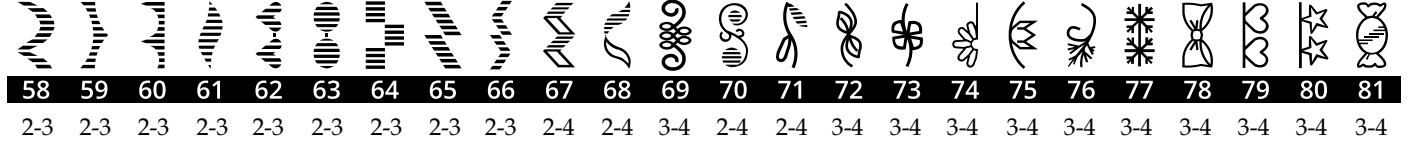
Quilt Stitches



Note: The numbers below the stitch number is the recommended thread tension setting for each stitch.

Tip: Stitches 53–57 are meant to be sewn with a wing needle for a special effect.

Decorative Stitches



Note: The numbers below the stitch number is the recommended thread tension setting for each stitch.

2 Preparations

Unpacking

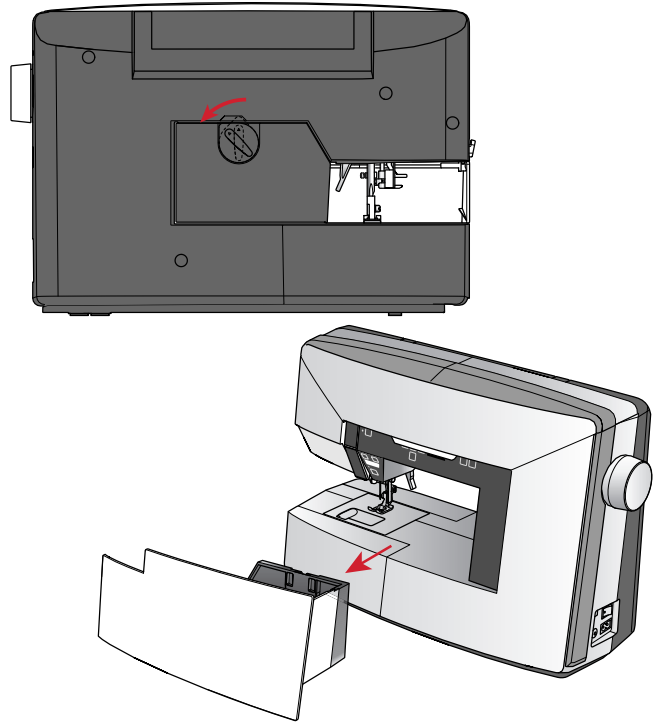
1. Place the box on a sturdy, flat surface. Lift the machine out of the box and remove all packing material and the plastic bag.
2. To remove the storage box, turn the locking device located at the rear side of the box to the left and push the box forward.
3. Wipe the machine, particularly around the needle and needle plate to remove any oil before sewing.

Note: Your HUSQVARNA VIKING® JADE™ 20 machine is adjusted to provide the best stitch result at normal room temperature. Extreme hot and cold temperatures can affect the sewing result.

Note: Some fabrics have excess dye which can cause discoloration on other fabrics or on your sewing machine. This discoloration may be very difficult or impossible to remove.

Fleece and denim fabric, especially red and blue, often contain excess dye.

If you suspect that your fabric/ ready-to-wear garment contains a lot of excess dye, always pre-wash it before sewing to prevent discoloration of your machine.



Connect the Power Cord and Foot Control

Among the accessories you will find the power cord and the foot control.

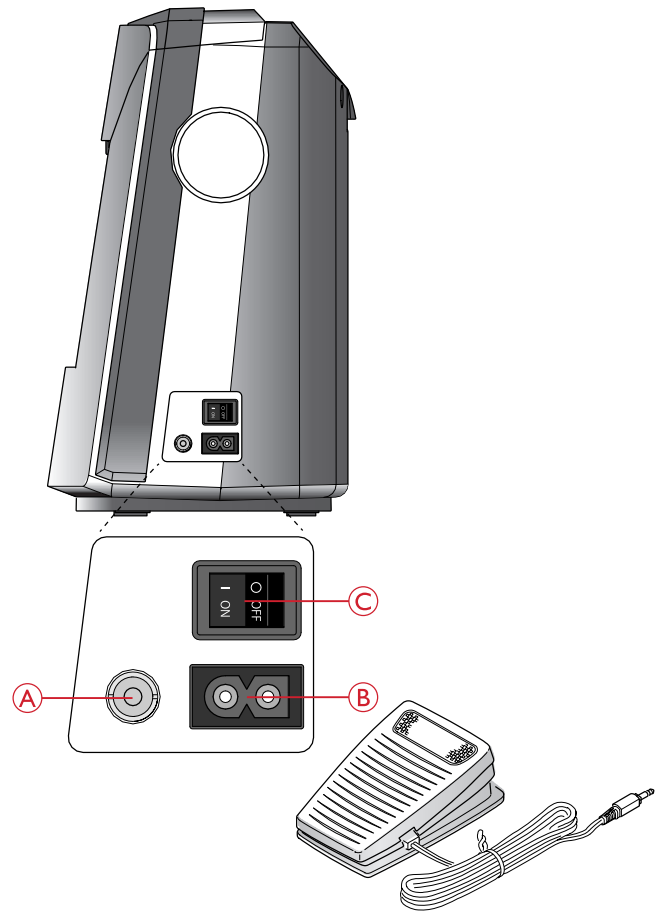
Note: Consult a qualified electrician if you are in doubt about how to connect the machine to the power source. Unplug the power cord when the machine is not in use.

For this sewing machine, foot control model C-9002 manufactured by CHIEN HUNG TAIWAN Ltd must be used.

1. Connect the foot control cord to the front socket on the bottom right side of the machine (A).
2. Connect the power cord to the rear socket on the bottom right side of the machine (B). Plug the cord into the wall socket.
3. Press the ON/OFF switch to ON to turn on power and light (C).

For the USA and Canada

This sewing machine has a polarized plug (one blade wider than the other). To reduce the risk of electric shock, this plug is intended to fit in a polarized outlet only one way. If the plug does not fit fully in the outlet, reverse the plug. If it still does not fit, contact a qualified electrician to install the proper outlet. Do not modify the plug in any way.



Pack Away After Sewing

1. Press the ON/OFF switch to “O”.
2. Unplug the cord from the wall socket and then from the machine.
3. Unplug the foot control cord from the machine. Wind the cord around the foot control and place it inside the storage box.
4. Place all accessories in the accessory tray. Slide the tray on to the machine around the free arm.
5. Place the storage box on the machine and turn the locking device to lock the box in place.

LED Lights

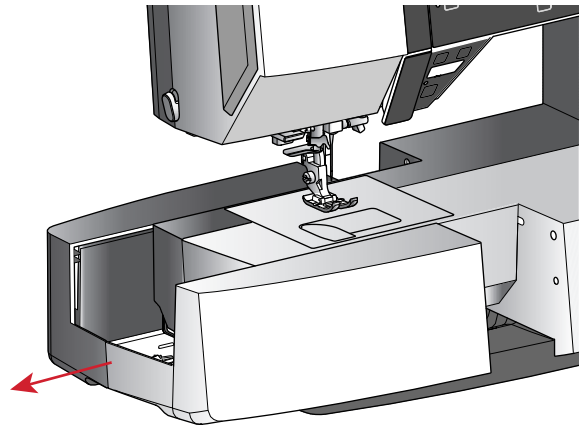
Your machine has LED lights which distribute the light evenly over the sewing area and eliminate shadows.

Free Arm

To use the free arm, slide off the accessory tray. Remove the tray by sliding it to the left.

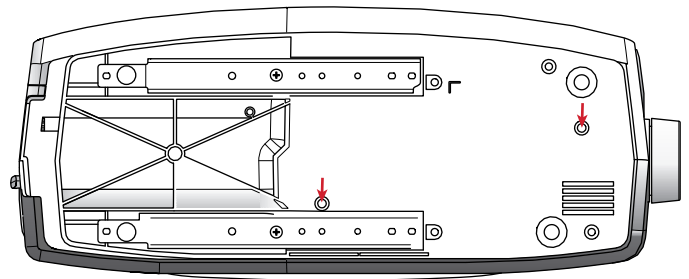
Use the free arm to facilitate sewing pant legs and sleeve hems.

To replace the accessory tray, slide it onto the machine until it fits in place.



Mounting Machine in Sewing Cabinet

There are two holes on the underside of the machine designed for mounting the machine into a sewing cabinet. Attach the machine with M6 screws.



Spool Pins

Your machine has two spool pins, a main spool pin and an auxiliary spool pin. The spool pins are designed for all types of thread. The main spool pin is adjustable and can be used both in a horizontal position (the thread reels off the spool) and a vertical position (the thread spool rotates). Use the horizontal position for normal threads and the vertical position for large spools or specialty threads.

Horizontal Position

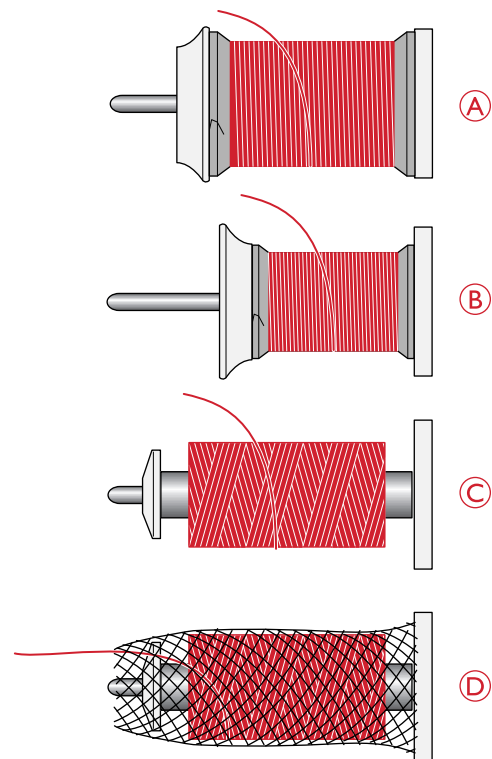
Place a felt pad and the thread spool on the spool pin. Make sure that the thread reels off from the front of the spool (A) and slide on a spool cap.

Note: Not all thread spools are manufactured in the same way. If you experience problems with the thread, turn the spool so that the thread reels off in the opposite direction or place the thread in the vertical position.

Depending on the size of thread spool, reverse the direction of the spool cap (B).

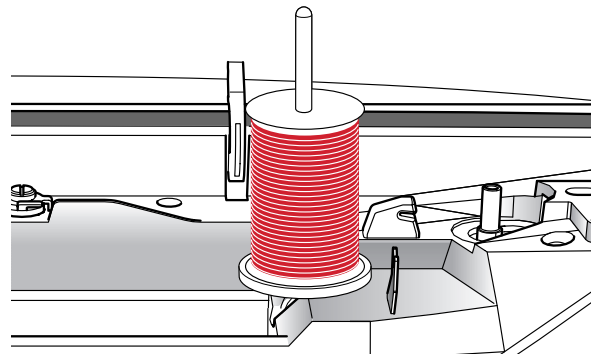
Use the small cap when you use cross wound thread (C).

Set the thread net over the spool if thread reels off too easily (D).



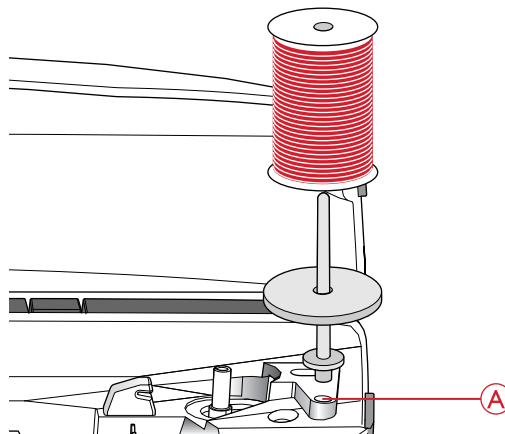
Vertical Position

Raise the spool pin to the vertical position. Place a felt pad under the thread spool. This is to prevent the thread from reeling off too fast. Do not place a spool cap on top of the spool pin as that would prevent the spool from rotating.



Auxiliary Spool Pin

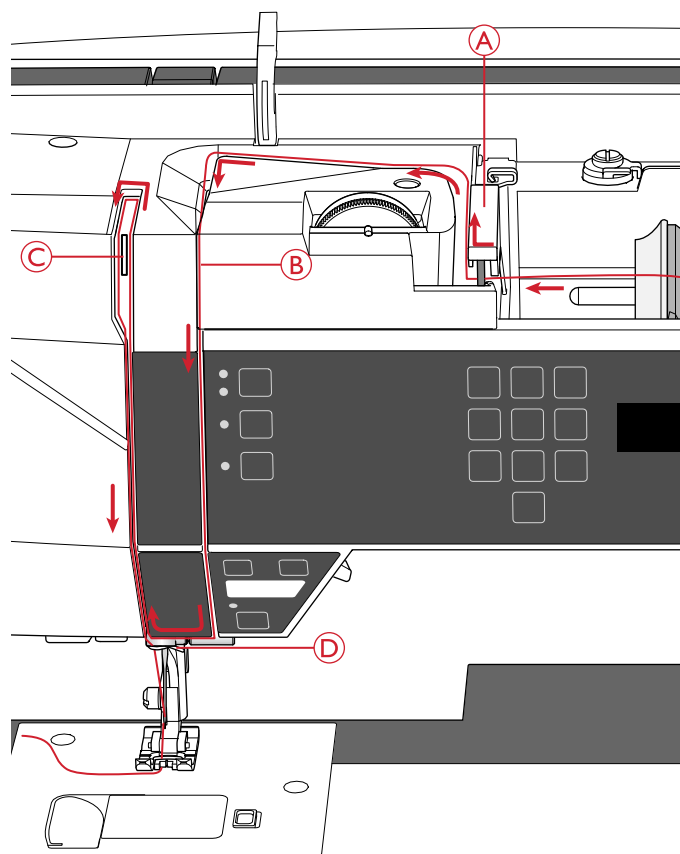
The auxiliary spool pin is used when winding a bobbin thread from a second spool of thread or for a second spool when sewing with a twin needle. Insert the auxiliary spool pin into the hole at the top of the machine (A). Place a felt pad under the thread spool.



Threading the Machine

Make sure that the presser foot is raised and the needle is in its highest position.

1. Place a felt pad and the thread spool on the spool pin and fit a spool cap of the right size and direction.
Note: Hold thread with both hands to prevent it from slacking while threading. This ensures that the thread will be positioned properly in the threading path.
2. Pull the thread under the thread guide (A) from the right to the left.
3. Pull the thread from the right to left along the slot.
4. Pull the thread between the tension discs (B).
5. Thread down through the right-hand threading slot and then upwards through the left-hand threading slot.
6. Bring the thread from the right into the take-up lever (C) and down in the left-hand threading slot into the needle thread guide (D).
7. Thread the needle.



Needle Threader

The needle threader allows you to thread the needle automatically. The needle must be in its highest position to use the built-in needle threader. Press the needle up/ down button to make sure the needle is fully raised.

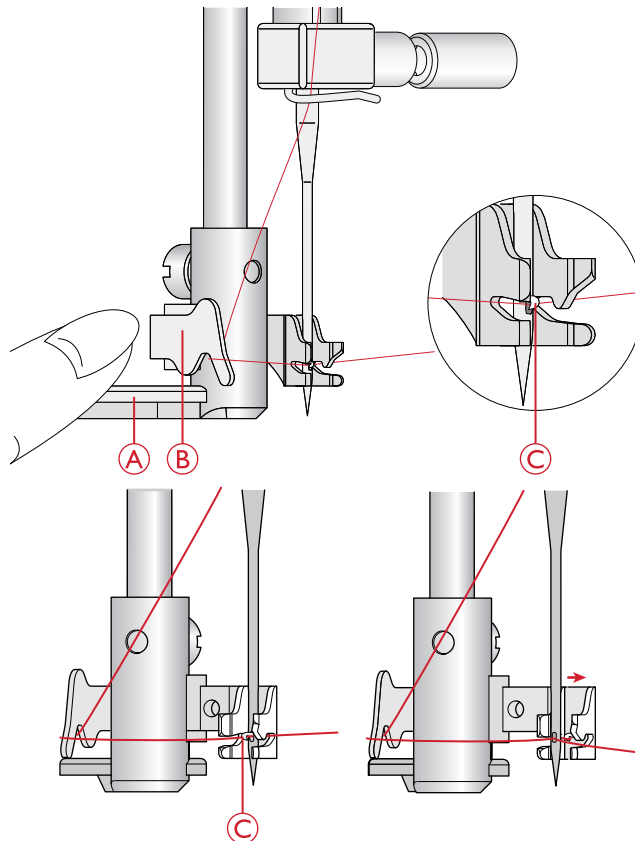
We also recommend lowering the presser foot.

1. Use the handle (A) to pull the needle threader all the way down. Metal flanges encase the needle and a small hook will pass through the needle eye.
2. Place the thread from the back over the thread guide (B) and under the small hook (C).
3. Let the needle threader gently swing back. The hook pulls the thread through the needle eye and forms a loop behind the needle. Pull the thread loop out behind the needle.
4. Raise the presser foot and place the thread under it.

Note: The needle threader is designed to be used for size 70-120 needles. You cannot use the needle threader for size 60 needles or smaller, wing needles or twin needles.

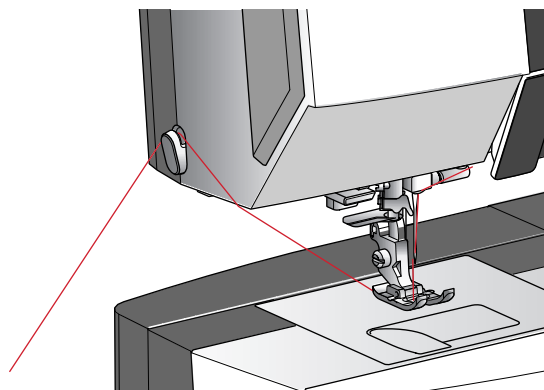
There are also some optional accessories that require manual threading of the needle.

When threading the needle manually, make sure that the needle is threaded from front to back.



Cutting the Thread

Once you have finished sewing, cut the threads by raising the presser foot and pulling the threads from the front to the back into the thread cutter on the left side of the machine.



Threading for Twin Needle

Replace the sewing needle with a twin needle. Make sure that the presser foot is raised and the needle is in its highest position.

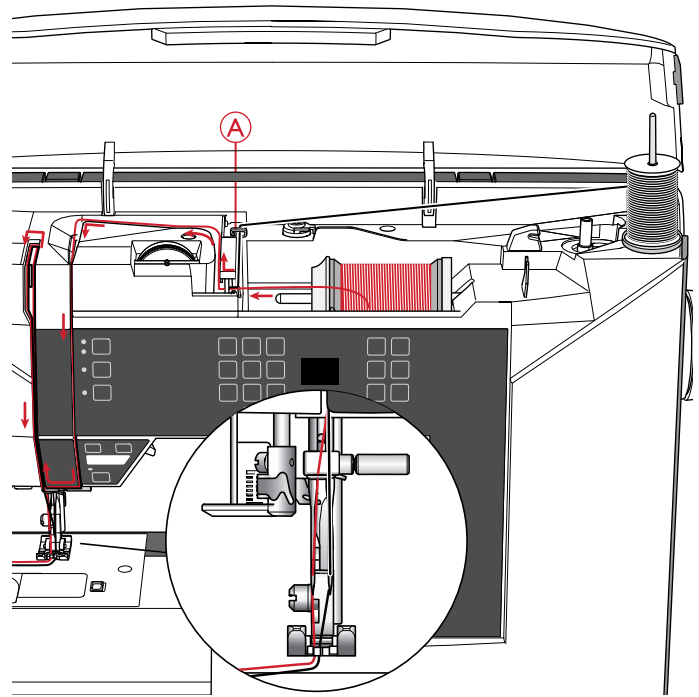
1. Thread the first thread as described in [Threading the Machine](#), page 15.
2. Thread the needle eye by hand from front to back.
3. Insert the auxiliary spool pin and slide on a felt pad. Place the second thread on the spool pin.
4. Bring thread to the left and pull thread into the thread guide (A) from back to front.
5. Thread the second thread the same way as the first.
6. Make sure that one thread is inside the needle thread guide and the other one outside.
7. Thread needle eye by hand from front to back.

Note: Twin needle is not included with the machine.

Note: The weight and irregular surface of specialty threads, like metallics, can cause increased tension on the thread. Reducing the tension will prevent needle breakage.

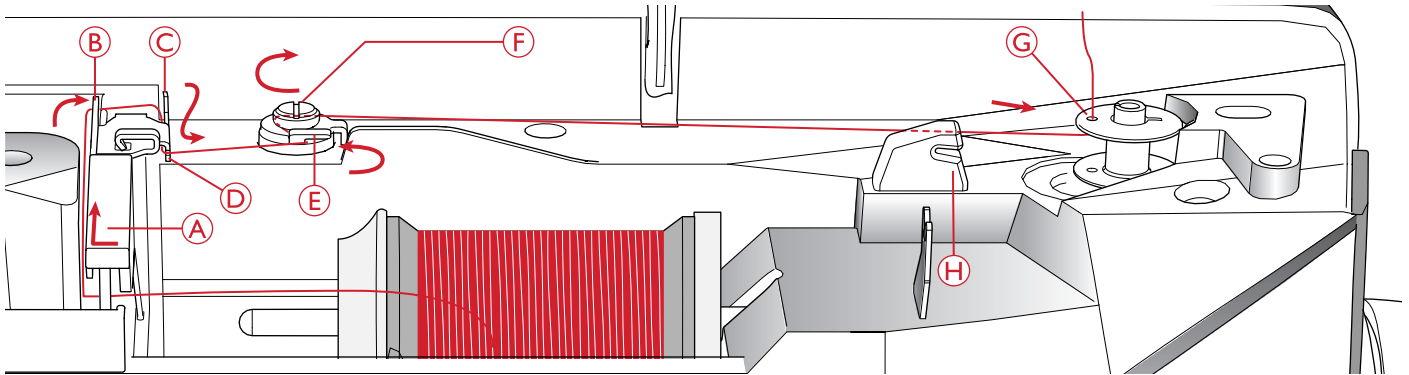
Note: When using a twin needle, the stitch width might need to be reduced to prevent damage to the twin needle, needle plate or presser foot. How much you need to reduce it depends on the stitch position, the stitch width and/or the size of the twin needle.

Note: Do not use asymmetrical twin needles, since they may damage your sewing machine.



Bobbin Winding

Winding From Horizontal Position



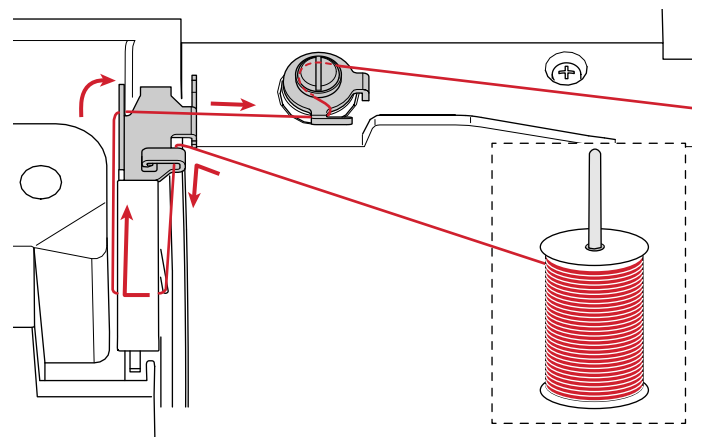
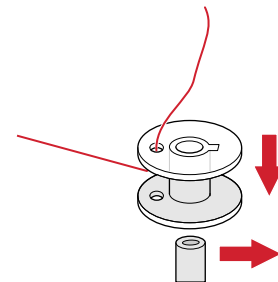
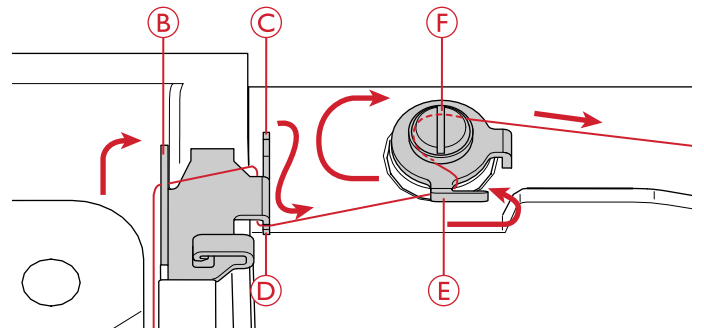
1. Place the felt pad and thread spool on the spool pin in horizontal position. Slide on a spool cap of the right type and direction.
2. Place the thread under the thread guide (A) from right to left. Pull the thread to the rear and around the thread guide (B) from left to right, then around thread guide (C) and into the notch (D).
3. Pull thread to the right and then through the thread guide (E) from front to back. Pass thread under tension disc (F) in clockwise direction.

Note: Make sure the thread is pulled securely inside the tension disc for correct thread tension.

4. Thread through the hole in the empty bobbin (G) from the inside to the outside.
5. Place the bobbin on the bobbin winder spindle.
6. Push the bobbin spindle to the right to wind. The letters "SP" is shown on the LED display, indicating that bobbin winding is active. Press the foot control or the start/stop button to start winding the bobbin. Hold the end of the thread firmly when starting to wind.

When the bobbin is full, release the foot control or press the start/stop button again to stop. Push the bobbin spindle to the left. Remove the bobbin and cut the thread using the bobbin thread cutter (H).

Note: When winding the bobbin from auxiliary spool pin, do not hook thread to the guide (C) and notch (D).



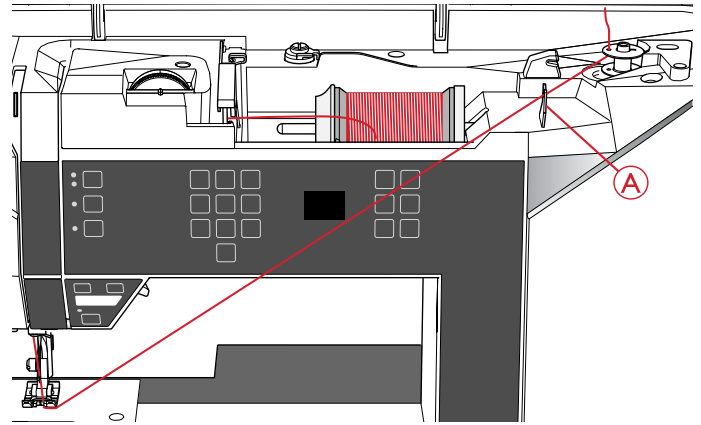
Winding Through the Needle

Make sure the presser foot is raised and the needle is in its highest position.

Note: Use a metal presser foot when bobbin winding from the needle.

Pull the thread from the needle under the presser foot and to the right through the thread guide (A).

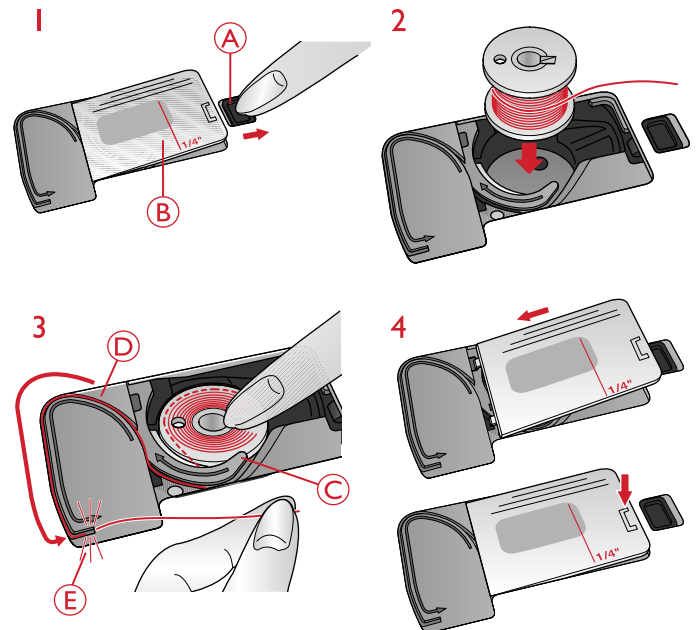
Follow step 4–6 under Winding From Horizontal Position.



Inserting the Bobbin

Make sure the needle is fully raised and the machine is turned off before inserting or removing the bobbin.

1. Open the bobbin cover by pushing the release button to the right (A). Remove the cover (B).
2. Insert the bobbin in the bobbin case with the thread running in a counterclockwise direction.
3. With a finger held gently on top of the bobbin, pull the thread into notch (C). Then pull the thread at arrow markings into the needle plate thread guide from (C) to (D). Pull the thread at the arrow markings into the needle plate thread guide from (D) to (E). To cut off excess thread, pull thread to the right, over the blade (E).
4. Replace the bobbin cover.



Thread Tension

To set the thread tension, turn the dial on top of the machine. Depending on the fabric, batting, thread, etc, the tension may need to be adjusted.

See [Stitch Overview, page 9](#) for thread tension recommendations.

For the best stitch appearance and durability, make sure the needle thread tension is correctly adjusted, i.e. for general sewing, the threads evenly meet between the two fabric layers.

If the bobbin thread is visible on the top side of the fabric, the needle thread tension is too tight. Reduce the needle thread tension.

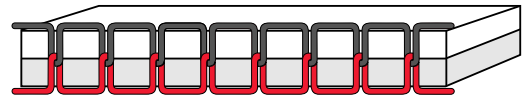
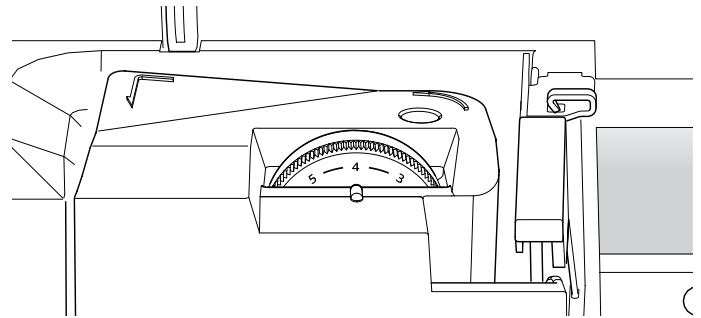
If top thread is visible on the underside of the fabric, the needle thread tension is too loose. Increase the needle thread tension.

For decorative stitches and buttonholes, the top thread should be visible on the underside of the fabric.

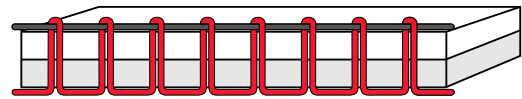
Make a few tests on a scrap piece of the fabric you are going to sew and check the tension.

Lowering the Feed Teeth

The feed teeth are lowered when you move the switch on the back of the free arm to the left. Move the switch to the right if you wish to raise the feed teeth. The feed teeth will raise as you begin to sew. The feed teeth should be lowered when sewing on buttons and for free motion sewing.



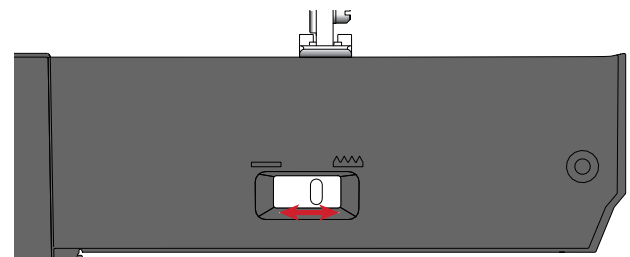
Correct tension



Tension too tight



Tension too loose

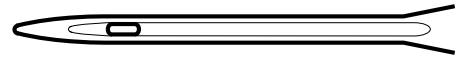


Needles

The sewing machine needle plays an important role in successful sewing. Use only quality needles. We recommend needles of system 130/705H. The needle package included with your machine contains the most frequently used sizes.

Universal Needle

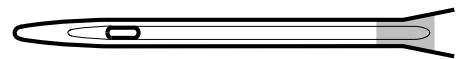
Universal needles have a slightly rounded point and come in a variety of sizes. For general sewing on a variety of fabric types and weights.



Universal needle.

Stretch Needle

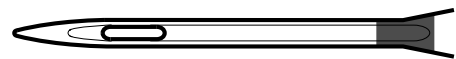
Stretch needles have a special scarf to eliminate skipped stitches when there is a flex in the fabric. For knits, swimwear, fleece, synthetic suedes and leathers.



Stretch needle - marked yellow.

Denim Needle

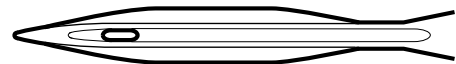
Denim needles have a sharp point to penetrate tightly woven fabrics without deflecting the needle. For canvas, denim, microfibers.



Denim needle - marked blue.

Wing Needle

The wing needle has wide wings on the side of the needle to poke holes in the fabric when sewing entredeux and other hemstitches on natural fiber fabrics.



Wing needle.

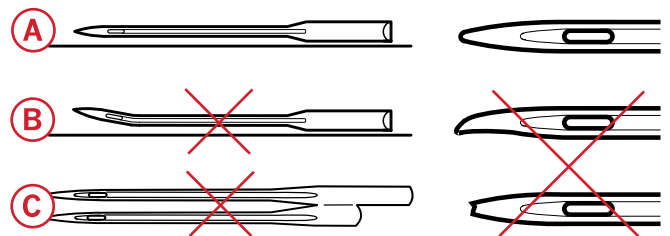
Note: For this machine, use wing needle size 100. Wing needle is not included with the machine.

Important Needle Information

Change the needle often. Always use a straight needle with a sharp point (A).

A damaged needle (B) can cause skipped stitches, breakage or snapping of the thread. It can also damage the needle plate.

Do not use asymmetrical twin needles (C), they can damage your sewing machine.

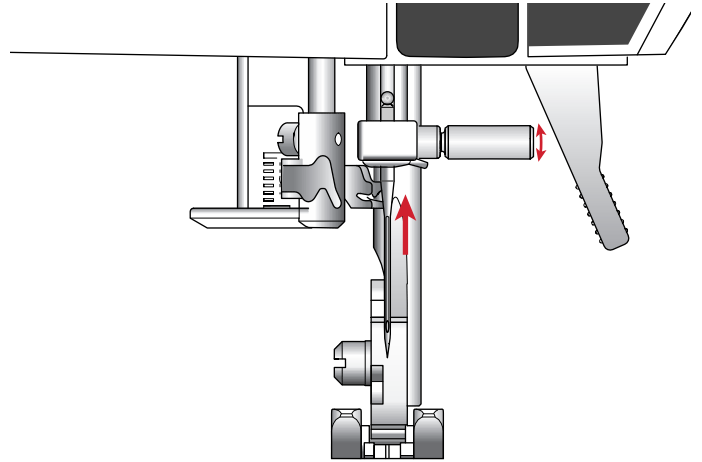


Changing the Needle



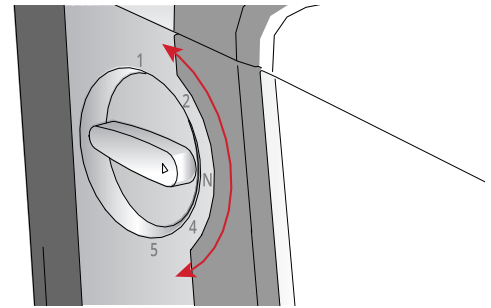
Press the ON/OFF switch to "O".

1. Loosen the needle screw with the screwdriver.
2. Remove the needle.
3. Push the new needle upwards with the flat side away from you until it will go no further.
4. Tighten the needle screw with the screwdriver.



Presser Foot Pressure

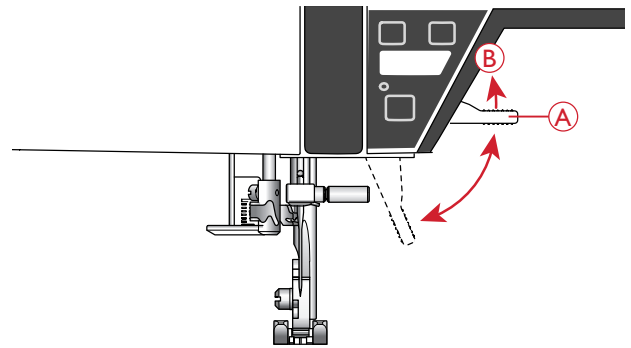
The presser foot pressure has been pre-set to the standard value "N". In most cases, you do not need to adjust the presser foot pressure. For specialty techniques, or when sewing on very light or heavy fabric, adjusting the pressure can improve the result. For very light fabrics, turn the dial to a lower number. For heavy fabric, turn the dial to a higher number.



Presser Foot Lift

The presser foot is lowered or raised with the presser foot lift (A). If you are sewing on heavy fabric or several layers of fabric, the presser foot can be raised higher (B) to make it easier to place the fabric underneath the presser foot.

Note: The machine will not start when the presser foot is raised (except for bobbin winding).

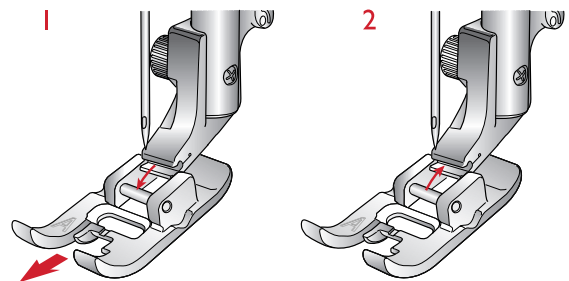


Changing the Presser Foot

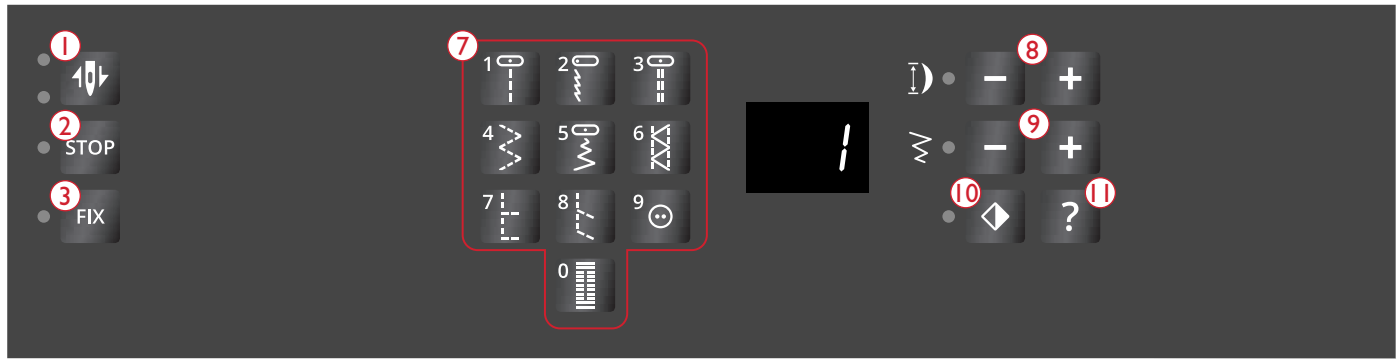


Press the ON/OFF switch to "O".

1. Make sure that the presser foot is raised and the needle is in its highest position. Pull the presser foot towards you.
2. Line up the cross pin on the foot with the gap in the presser foot ankle. Push back until the foot snaps into place.



Function Buttons



1. Needle stop up/down with indicator
2. STOP function
3. FIX function
4. Speed + and -
5. Start/stop
6. Reverse
7. Stitch selection buttons
8. Stitch length
9. Stitch width/needle position
10. Mirror side to side
11. View presser foot recommendation

Needle Stop Up/Down With Indicator

Press the needle stop up/down to move the needle up or down. The setting of the needle stop position is changed at the same time. The LED indicators next to the button show the selected stop position. The upper indicator is lit when needle stop up is selected and the lower when needle stop down is selected.

You can also tap the foot control to raise or lower the needle.

STOP Function

STOP is used to conclude a stitch or to sew just one unit of the stitch. Your sewing machine ties off the thread and stops automatically when one stitch unit has been completed. The LED next to the button is lit when STOP is activated. To cancel; select STOP again or select a new stitch. The STOP function is cancelled when the stitch is completed. Press the button again if you wish to activate it again.

STOP is also used to repeat the darning or bartack stitch with the same size.

FIX Function

FIX is used to tie off a stitch. FIX is automatically activated when you use STOP while you are sewing. At the beginning, your machine sews a few tie-off stitches and continues with the selected stitch. Press FIX while sewing and your machine sews a few tie-off stitches and stops automatically. The LED next to the button is lit when FIX is active. Press the FIX button to turn the function off.

Speed + and -

All stitches in your machine have a pre-set, recommended sewing speed. Press speed + or speed - to increase or decrease the sewing speed. There are five speed levels. Press speed + or speed - before starting to sew and the display will show the current setting as "S1" to "S5". Pressing speed + or speed - while sewing will change the speed but the setting will not be shown on the display. You cannot select a higher speed than the default max speed for the selected stitch. When trying to exceed minimum or maximum speed, you will hear a beep.

When sewing with metallic threads, or when sewing on delicate fabrics, lower the speed for optimal results.

Start/Stop

Press this button to start or stop the machine sewing when you are not using the foot control. Press start/stop to begin and press again to stop.

Reverse

For permanent reverse, press the reverse button once before starting to sew. The reverse indicator will be lit and the machine sews in reverse until you press the button again to cancel. If you press the reverse button while sewing, the machine will sew in reverse for as long as you keep the button pressed. The reverse indicator is lit when the reverse button is pressed.

Reverse is also used when sewing bartacks and darning stitches to step between the parts of the stitch.

Stitch Selection Buttons

By pressing any of the 0 to 9 buttons you select the stitch illustrated on that button immediately.

By pressing two digits in quick succession you will be able to select a stitch from 10 and up. If the stitch number does not exist you will hear a beep and the previous stitch selection will be kept.

Stitch Length

Reduce or increase the stitch length by pressing – or +. See [Stitch Length/Stitch Density, page 26](#).

Stitch Width/Needle Position

Adjust the stitch width/needle position by pressing – or +. See [Stitch Width/Needle Position, page 27](#).

Mirror Side to Side

Press to mirror the selected stitch side to side. In straight stitch, with a left needle position, pressing this button will move the needle from the left to the right symmetrically across the center position. The LED next to the button is lit when this function is activated.

View Presser Foot Recommendation

Press this button to show the presser foot recommendation for the selected stitch on the LED display.

A: Utility Foot A

b: Decorative Stitch Foot B

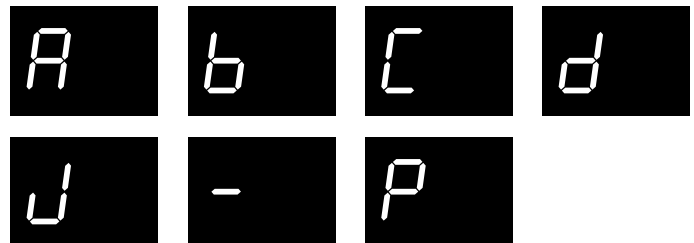
C: One-Step Buttonhole Foot C

d: Blind Hem Foot D

J: Edging Foot J

-: Snap off the presser foot

P: Quilter's 1/4" Piecing Foot (optional accessory, part number 4127855-45)



Warning Messages

Bobbin Winding Position

When the bobbin spindle is pushed to the right, the letters “SP” appear on the LED display. If you press any button, a beep will inform you to push the bobbin winder spindle to the left, sewing position.

Note: You cannot sew in bobbin winding position.



Buttonhole Lever Not Lowered and Pressed

If the buttonhole lever is not lowered and pressed when sewing buttonholes, the letters “E1” appear on the LED display. See [Sewing Buttonholes](#), page 34.



Raise Needle

If the needle is lowered when turning on the machine, the letters “UP” appear on the LED display. Turn the handwheel clockwise to raise the needle. When the needle is fully raised, the machine will calibrate and you can start sewing.



Main Motor Overload

Your sewing machine can get overloaded when sewing on heavy fabrics, if the thread gets twisted or jammed, or the handwheel axle cannot move. The letters “E2” appear on the LED display. Please refer to the troubleshooting section to find a recommended solution. When the problem has been solved, the machine will continue to sew.

Note: If the problem is still not solved, please contact your local authorized HUSQVARNA VIKING® retailer.



3 Sewing

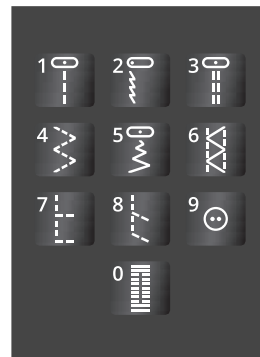
When the machine is turned on, straight stitch 1 is selected by default.

Selecting a Stitch

Stitches 0-9 are illustrated on the stitch selection buttons. If you press any of the stitch selection buttons once, you select the stitch illustrated on that button.

Stitches numbered from 10 and up are illustrated with stitch numbers inside the lid. By pressing two digits in quick succession you will be able to select a stitch from 10 and up. If the stitch number does not exist you will hear a beep and the previous stitch selection will be kept.

The number of the selected stitch is shown on the LED display.



Stitch Settings

Your machine automatically sets the best settings for the selected stitch. You can make your own adjustments on the selected stitch.

The setting changes only affect the selected stitch. Your changed settings will be reset to default when selecting another stitch. The changed settings are not saved when turning your machine off.

Note: When trying to exceed minimum or maximum settings a beep will be heard.

Stitch Length/Stitch Density

To see current stitch length, press “-” or “+” once next to the stitch length icon. The stitch length value will be indicated on the display. After a few seconds, the display will return to show the stitch number.

To change the stitch length, press “-” or “+” button in quick succession while stitch length is indicated on the display. The LED next to the stitch length icon lights up, indicating that the set value is not the default value.

For satin stitches (number 27 and 58–66) the stitch length buttons are used to set the stitch density.

To see current stitch density, press “-” or “+” once next to the stitch length icon. The stitch density value will be indicated on the display. After a few seconds, the display will return to show the stitch number.

To change the stitch density, press “-” or “+” button in quick succession while stitch length is indicated on the display. The LED next to the stitch length icon lights up, indicating that the set value is not the default value.



Stitch length - / default stitch length / stitch length +



Stitch density - / default stitch density / stitch density +

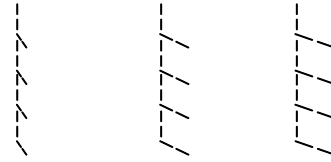
Stitch Width/Needle Position

To see current stitch width, press “-” or “+” once next to the stitch width icon. The stitch width value will be indicated on the display. After a few seconds, the display will return to show the stitch number.

To change the stitch width, press “-” or “+” button in quick succession while stitch width is indicated on the display. The LED next to the stitch width icon lights up, indicating that the set value is not the default value.

If a straight stitch (number 1, 2, 3, 20, 21) is selected the needle position is adjusted instead of the stitch width. The “-” or “+” buttons are used to move the needle to the left or right in 29 positions.

“0.0” on the display is center needle position. By pressing the “+” button, needle moves to the right. By pressing the “-” button, needle moves to the left. “3.5” on the display is extreme left or right position.



Stitch width - / default stitch width / stitch width +

Mirror Side to Side

Press the mirror side to side button to mirror the selected stitch side to side. If the button is pressed when the straight stitch with left needle position is selected, the needle position is changed from left to right. The LED next to the button is lit when mirror side to side is activated.

Note: If a stitch cannot be mirrored a beep will be heard when pressing the mirror side to side button.



Default stitch / mirrored stitch

Sewing Guide

Consult the sewing guide on the left, inside the lid for a fast, easy way to select the best stitch, stitch length, stitch width, thread tension, presser foot and presser foot pressure for your sewing technique and fabric.

N	1	A 4-5	2.5	0.0	4	J 3-5	4.5	5.0	7	J 4-5	2.5	5.0	1	A 2-4	5.0	0.0	13	D 2-4	3.5	3.0	1	A 4-5	2.5	0.0	0	C 3-4	0.4	5.0
N	1	B 4-6	3.0	0.0	4	B 4-6	5.0	6.0	12	B 4-6	3.0	6.0	1	B 2-4	5.0	0.0	13	D 3-4	4.0	4.0	1	B 4-6	3.0	0.0	31	C 3-4	1.0	5.0
2	2	A 4-6	2.5	3.5	4	J 4-6	4.5	5.0	8	B 4-5	3.0	5.0	1	A 2-4	5.0	0.0	14	D 3-4	3.5	3.0	6	B 4-5	3.0	5.0	0	C 3-4	0.4	4.5
1	2	B 4-6	3.0	3.5	4	B 4-6	5.0	6.0	8	B 4-5	3.0	6.0	1	B 2-4	5.0	0.0	14	D 3-4	4.0	4.0	6	B 4-5	4.0	6.0	0	C 3-4	0.5	5.0

- ①
- ②
- ④
- ⑤
- ⑥
- ⑦
- ⑧

1. Fabric
2. Presser foot pressure
3. Sewing technique
4. Stitch number
5. Presser foot
6. Thread tension
7. Stitch length
8. Stitch width

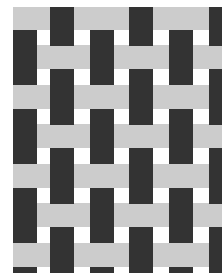
Fabric Selection

Woven or Stretch (Knit)

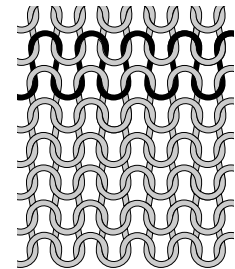
The difference between woven and knit fabric is the way the threads are put together. Woven fabrics are made of two thread systems, warp lengthwise and weft crosswise, that intersect at right angles. A knit fabric is made of one thread system with interlaced stitches. A knit fabric usually has stretch.

As a general rule, set your machine to woven for stable fabrics that have no stretch and to stretch for fabrics that have stretch.

- A. **Woven light/medium:** Chiffon, organza, batiste, challis, crepe de chine etc. Calico, quilting fabrics, crepe, broadcloth, velvet etc.
- B. **Woven heavy:** Denim, tweed, canvas, terrycloth etc.
- C. **Stretch light:** Tricot, single knit jerseys etc.
- D. **Stretch medium/heavy:** Sweater knits, double knit, velour, swimwear, fleece etc.



Woven fabric



Stretch (knit) fabric

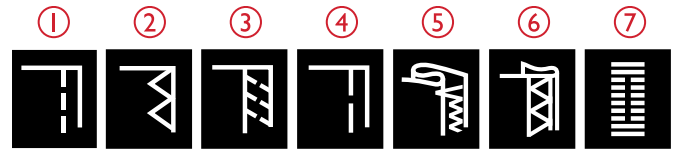
- Ⓐ
- Ⓑ
- Ⓒ
- Ⓓ

Sewing Techniques

1. **Seam:** sews two pieces of fabric together.
2. **Overcast:** finish fabric edges to prevent them from fraying and help them lay flat.
3. **Seam/overcast:** sews the seam and overcasts the edge all at one time.
4. **Baste:** a temporary stitching for fitting garments, gathering and marking. Use maximum stitch length and reduce the tension so the threads are easy to remove or to pull for gathering.

Note: Basting will leave permanent holes in leather and vinyl.

5. **Blind hem:** creates an invisible hem on garments. Is not recommended for light weight fabric.
6. **Hem:** the sewing guide recommends the best visible or top stitch hem for your fabric type and weight.
7. **Buttonhole:** the sewing guide recommends the best buttonhole possible for your fabric.



Basic Sewing Techniques

Seam

A seam sews two pieces of fabric together with a seam allowance that will usually be pressed open. In most cases, edges of the seam allowance are finished with an overcast stitch before sewing the seam. Seams in stretch fabric must stretch with the fabric. The stretch stitch makes a stretchy seam that is suitable for sewing together pieces of light stretch fabric.

Fabric: Woven light/medium, cut in two.

Select: Straight stitch number 1.

Use: Presser foot A and size 80 needle.

Set: Thread tension 4–6, stitch length 2.5, needle position 0.0 and presser foot pressure N.

Sew:

- Place fabric pieces right sides together. Put the fabric in position under the presser foot. Line up the edge with the $\frac{5}{8}$ " (15 mm) seam guide.
- Lower the presser foot.
- Sew a seam.
- Raise the presser foot and cut the threads to remove your project.

Tip: Straight stitch can also be used for topstitching. For a more visible topstitch, lengthen the stitch and use heavier thread with a larger size needle.

Fabric: Stretch light, cut in two.

Select: Stretch stitch number 2.

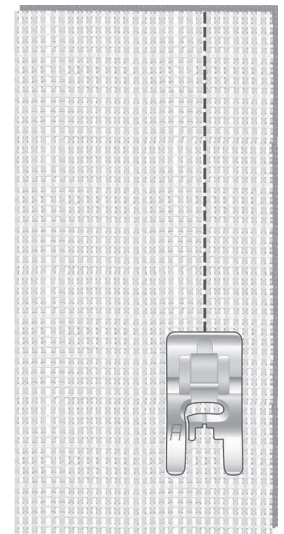
Use: Presser foot A and size 75 stretch needle.

Set: Thread tension 4–5, stitch length 2.5, needle position 3.5 and presser foot pressure 2.

Sew:

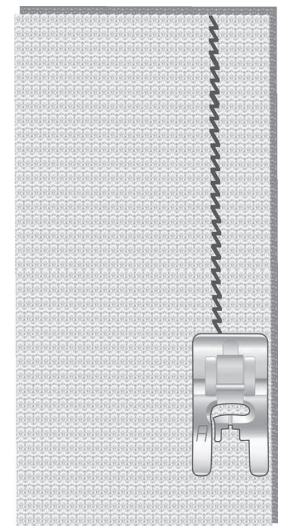
- Place fabric pieces right sides together. Put the fabric in position under the presser foot. Line up the edge with the $\frac{3}{8}$ " (10 mm) seam guide for a $\frac{5}{8}$ " seam.
- Lower the presser foot.
- Sew a seam.
- Raise the presser foot and cut the threads to remove your project.

	N	1	A 4-5	2.5	0.0	
	N	1	B 4-6	3.0	0.0	
	2	2	A 4-6	2.5	3.5	
	1	2	B 4-6	3.0	3.5	



Straight stitch

	N	1	A 4-5	2.5	0.0	
	N	1	B 4-6	3.0	0.0	
	2	2	A 4-6	2.5	3.5	
	1	2	B 4-6	3.0	3.5	



Stretch stitch

Overcast

Overcast fabric edges to prevent fraying and to help them lay flat. It is easier to overcast before the garment is sewn together. Presser foot J is recommended for light and medium weight fabric to prevent puckering along the edge. Presser foot B is used for heavy weight fabric.

Fabric: Woven light/medium.

Select: Three-step zigzag stitch number 4

Use: Presser foot J and size 80 needle.

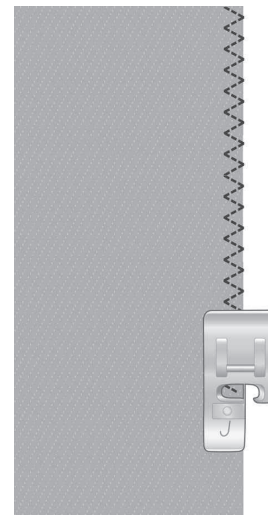
Set: Thread tension 3–5, stitch length 4.5, stitch width 5.0 and presser foot pressure N.

Place the edge of a single thickness of fabric under presser foot J with the wire guide along the edge of the fabric. The three-step zigzag stitch sews over the wire guide to keep the edge of the fabric flat.

Sew:

- Lower the presser foot.
- Sew to overcast the edge of the fabric.
- Raise the presser foot and cut the threads to remove your project.

Stitch	Pressure	Stitch #	Foot	Tension	Length	Width
	N	4	J 3-5	4.5	5.0	
	N	4	B 4-6	5.0	6.0	
	2	4	J 4-6	4.5	5.0	
	1	4	B 4-6	5.0	6.0	



Seam and Overcast

The seam/overcast stitch sews the seam and overcasts the edges all at one time. There are a number of different seam/overcast stitches on your machine. Refer to the sewing guide to select the best stitch for your fabric.

Fabric: Stretch medium, cut in two.

Select: Stitch number 8.

Use: Presser foot B and size 75 stretch needle.

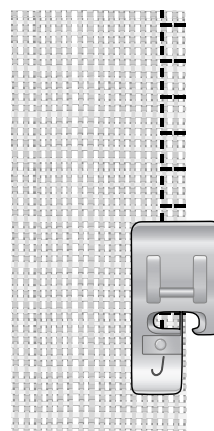
Set: Thread tension 4–5, stitch length 3.0, stitch width 5.0 and presser foot pressure 2.

Sew:

- Place fabric pieces right sides together. Put the fabric in position under the presser foot to seam along the edge of the fabric.
- Lower the presser foot.
- Seam/overcast along the edge.
- Raise the presser foot and cut the threads to remove your project.

Repeat the Seam/Overcast technique on stretch heavy fabric and on woven heavy fabric. Refer to the sewing guide to select the best stitch, stitch length, stitch width and thread tension for each fabric type.

Stitch	Pressure	Stitch #	Foot	Tension	Length	Width
	N	7	J 4-5	2.5	5.0	
	N	12	B 4-6	3.0	6.0	
	2	8	B 4-5	3.0	5.0	
	1	8	B 4-5	3.0	6.0	



Woven medium and seam/
overcast



Woven heavy and seam/
overcast

Baste

Basting is temporary stitching for fitting garments, gathering and marking.

Set the machine to a long stitch length and reduce the tension so the threads are easy to remove or to pull for gathering.

Fabric: All types of fabric.





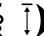

Select: Stitch number 1.

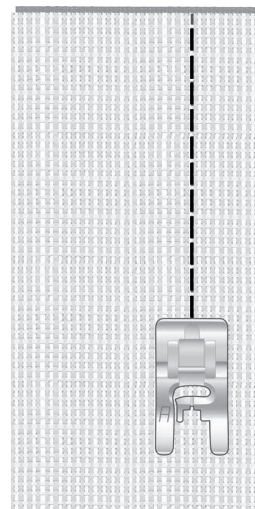
Use: Presser foot A/B and needle suitable for your fabric.

Set: Presser foot pressure as recommended for your fabric.

Sew:

- Place fabric pieces right sides together. Put the fabric in position under the presser foot with $\frac{5}{8}$ " (15 mm) seam allowance.
- Lower the presser foot.
- Sew along the seam line.
- Raise the presser foot and cut the threads to remove your project.
- To remove stitching, pull the bobbin thread.

					
N	1	A	2-4	5.0	0.0
N	1	B	2-4	5.0	0.0
2	1	A	2-4	5.0	0.0
1	1	B	2-4	5.0	0.0



Blind Hem

The blind hem creates an invisible hem on garments. There are two types of blind hem; one is recommended for medium to heavy woven fabrics, the other for stretch.

Fabric: Stretch medium/heavy or woven medium/heavy.

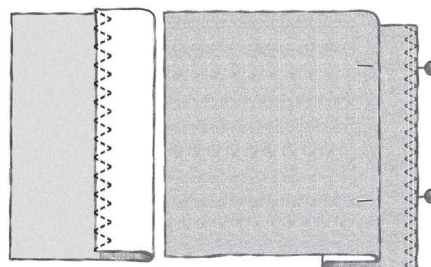
Select: Stitch number 13 for woven fabric. Stitch number 14 for stretch fabric.





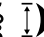

Use: Blind Hem Foot D and a needle suitable for your fabric.

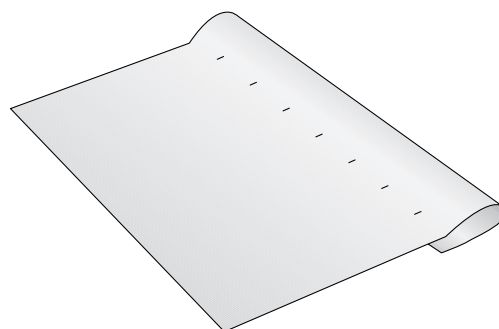
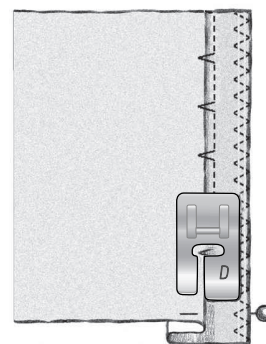
Set: Presser foot pressure as recommended for your fabric.

Sew:

- Fold the fabric as illustrated. Make sure the folded edge of the fabric follows the inside of the right “toe” of Blind Hem Foot D.
- Lower the presser foot.
- The left swing of the needle should just catch the edge of the folded fabric. If necessary, adjust the stitch width as needed to barely “catch” the fold.
- Sew the blind hem.
- Raise the presser foot and cut the threads to remove your project.



					
N	13	D	2-4	3.5	3.0
N	13	D	3-4	4.0	4.0
2	14	D	3-4	3.5	3.0
1	14	D	3-4	4.0	4.0



Hem

Refer to the sewing guide to select the visible or topstitch hem that is best for your fabric weight and type. For woven fabrics, select straight stitch number 1. For stretch fabrics, select stitch number 6.

Jeans Hem

When sewing over seams in extra heavy fabric or a blue jeans hem, the foot can tip as it rides over the seam. Use the optional multipurpose tool (part number 4131056-01) to balance the height of the presser foot as you sew.

Fabric: Denim fabric.

Select: Stitch number 1.

Use: Presser foot B and size 90 denim needle.

Set: Thread tension 4–6, stitch length 3.0, needle position 0.0 and presser foot pressure N.





Sew:

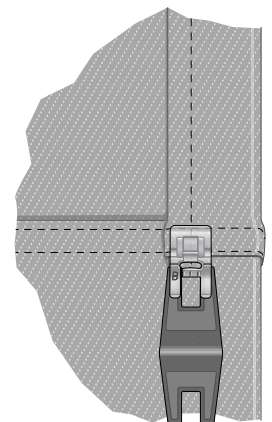
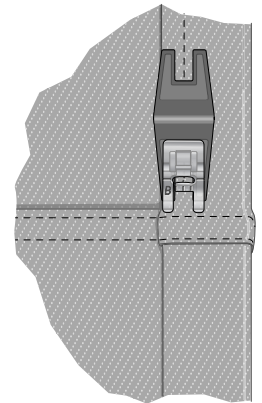
Press needle stop up/down to select the needle down position. Begin sewing the bottom hem at or near the center back. As you near the side seam, stop sewing. Your machine stops with the needle in the fabric. Raise the presser foot. Insert the multipurpose tool from behind.

Both sides of the multipurpose tool are raised. Use the side which corresponds closest to the thickness of the seam. Lower the presser foot and continue sewing slowly over the thick seam.

Stop sewing again just in front of the seam (notice how the needle is in the fabric). Remove the multipurpose tool and reinsert it under the presser foot from the front.

Sew a few stitches until the whole presser foot has passed the seam and is resting on the multipurpose tool. Stop sewing once again. With the needle in the fabric, raise the presser foot. Remove the multipurpose tool. Continue sewing the hem.

Stitch	Pressure	Foot	Tension	Length	Position
	N	1	A 4-5	2.5	0.0
	N	1	B 4-6	3.0	0.0
	2	6	B 4-5	3.0	5.0
	1	6	B 4-5	4.0	6.0

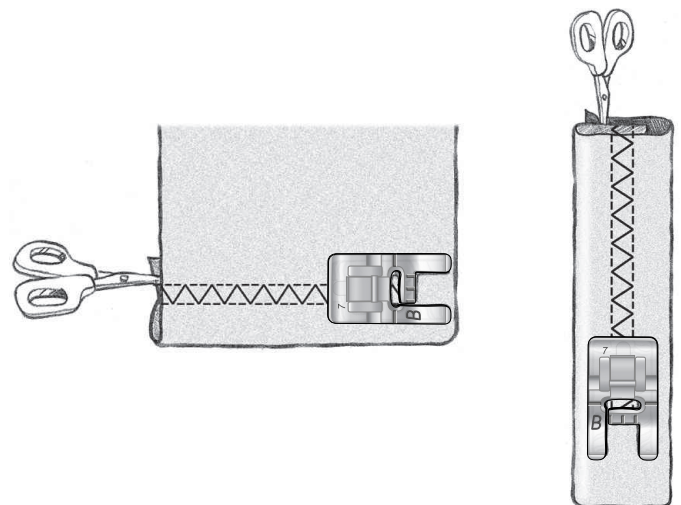


Stretch Hem

Select stretch medium and the flatlock stitch number 6. Follow other recommendations given on the sewing guide.

Use size 75 stretch needle.

Fold a hem to the wrong side and stitch with flatlock stitch from the right side. Trim away excess fabric. Use this technique for belt loops too.



Flatlock stitch to hem stretch fabric and for belt loops.

Sewing Buttonholes

The buttonholes in your sewing machine are specially adjusted for different types of fabric and garments. Learn about different buttonholes and when to use them by studying the stitch table in the overview chapter.

Refer to the sewing guide to select the best buttonhole and stitch settings for your fabric. Fabric should be interfaced and/or stabilized where buttonholes are sewn.

	N	0	C 3-4	0.4	5.0
	N	31	C 3-4	1.0	5.0
	2	0	C 3-4	0.4	4.5
	1	0	C 3-4	0.5	5.0

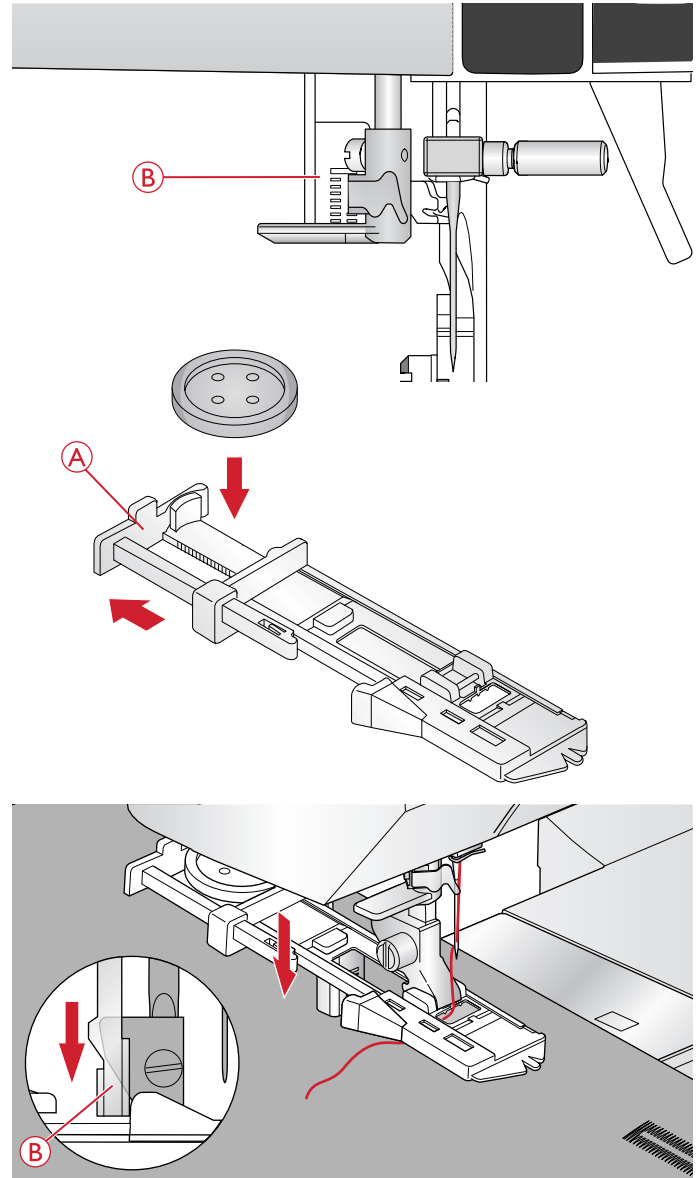
One-Step Buttonhole

Note: Always sew a test buttonhole on a scrap piece of fabric.

1. Mark the position of the buttonhole on your project.
2. Attach One-Step Buttonhole Foot C and pull out the button holder plate (A). Insert the button. The button will determine the length of the buttonhole.
3. Make sure that the thread is pulled through the hole in the presser foot and placed under the foot.
4. Position your project under the presser foot so that the marking on the fabric is aligned with the center of the buttonhole foot.
5. Lower the buttonhole lever (B) all the way down.

Note: The machine will not start to sew if the buttonhole lever is not lowered properly or the frame of buttonhole foot is not positioned all the way forward. (The letters "E1" appears on the display.)

6. Hold the end of the upper thread and start sewing. The buttonholes are sewn from the front of the presser foot to the back.
7. Once the machine has sewn the buttonhole, raise the presser foot.
8. Use the seam ripper to carefully open the buttonhole.

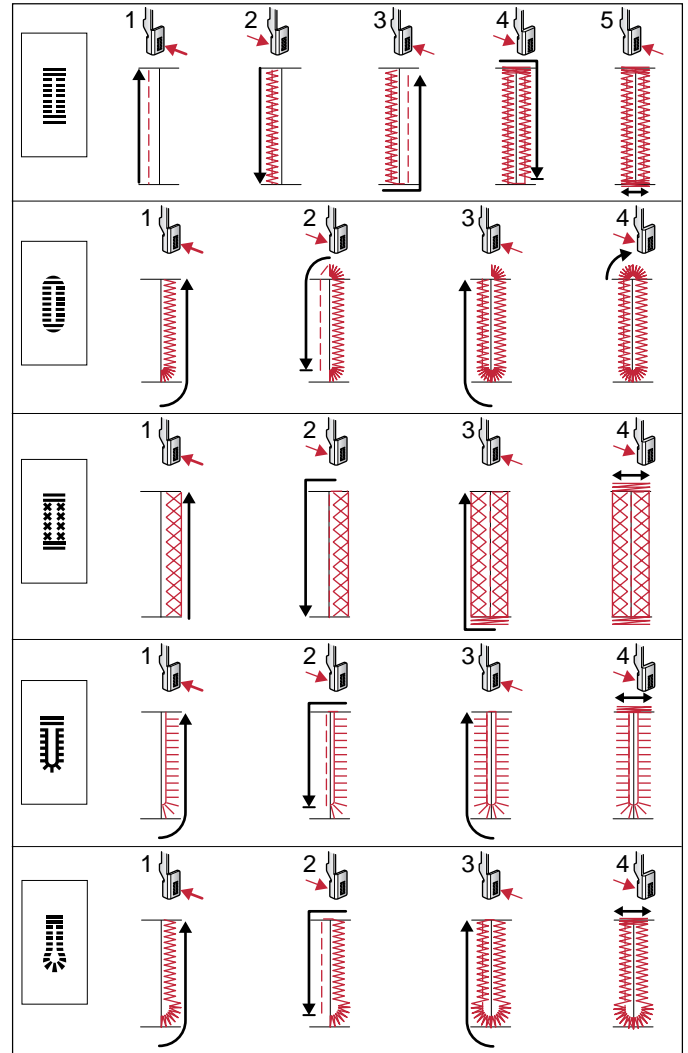


Manual Buttonhole

To sew a buttonhole longer than 25mm, use the manual buttonhole foot C.

1. Lower the buttonhole lever and presser foot. Press the start/stop button or the foot control to start sewing while pushing the buttonhole lever away from you until the machine starts sewing a straight stitch backwards. Sew until you reach the desired length of the buttonhole.
2. Pull the buttonhole lever towards you until the machine starts sewing the first column forwards.
3. When the column stitching has reached your desired length, push the buttonhole lever away from you until the machine starts sewing a straight stitch backwards.
4. Pull the buttonhole lever towards you until the machine starts sewing the bar tack and second column forwards.
5. When the columns are aligned, push the buttonhole lever away from you until the machine starts sewing the bar tack. The machine will sew a few tie-off stitches and stop automatically.
6. Use the seam ripper to carefully open the buttonhole.

Depending on the style of buttonhole selected, the sewing sequence will differ, see illustration.

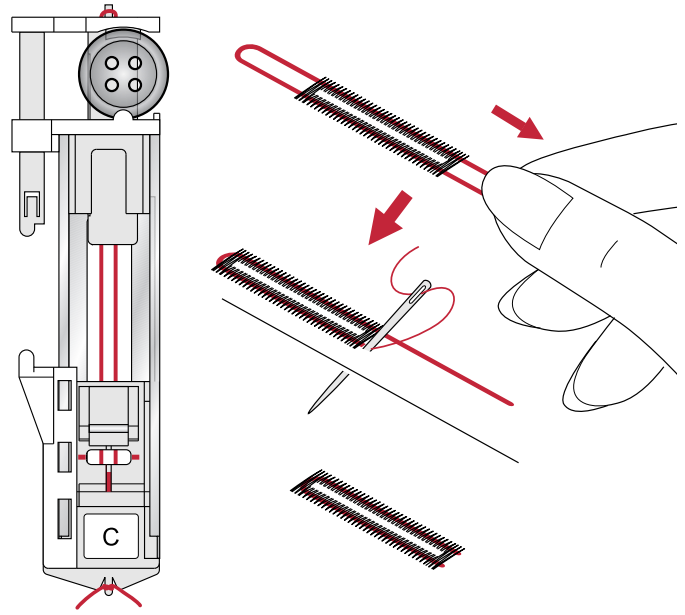


Sewing sequences for buttonhole stitches 0 and 30–33.

Corded Buttonhole (Stretch Fabrics)

When sewing buttonholes in stretch fabrics we recommend cording the buttonhole to increase the stability and keep the buttonhole from stretching out.

1. Loop a piece of heavy thread or pearl cotton over the metal bar extending from the center back of the manual buttonhole foot or of the plastic bar of the One-Step Buttonhole Foot. Pull the thread tails under the foot, towards the front, then secure around the finger at the front of the foot.
2. Stitch a buttonhole. The satin buttonhole columns will stitch over the cord.
3. When the buttonhole is finished, lift the cord off the finger and pull out the slack.
4. Cross the cord in front of the needle and thread cord ends into a large needle, pull to the wrong side and knot ends before cutting excess.
5. Use the seam ripper to carefully open the buttonhole.



Sewing on Buttons

Sew buttons and snaps quickly with your sewing machine using and the stitch for sewing on buttons (number 9).

1. Snap off the presser foot and lower the feed teeth.
2. Place the fabric, multipurpose tool (optional accessory, part number 4131056-01) and button under the ankle with the holes in the button lined up with the swing of the needle. Check the swing of the needle by pressing the mirror side to side button to be sure the needle will not hit the button. Bring the needle down into the holes of the button with the handwheel to verify.

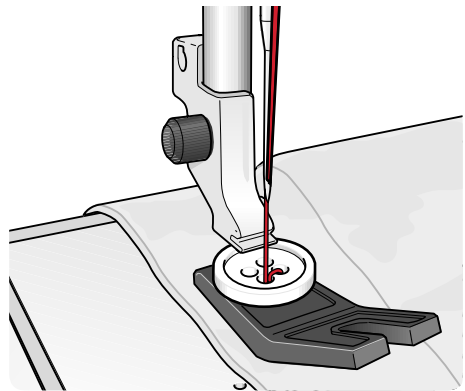
Tip: When using the multipurpose tool, the button is stitched to the fabric leaving a shank. If stitching without the multipurpose tool the button is stitched to the fabric without distance.

Tip: You can also use a sew-on button foot (part number 412934545), available as an optional accessory at your local authorized HUSQVARNA VIKING® retailer.

Note: The pre-set width of 3mm is recommended for most buttons. When sewing a tiny button or a very large coat button, decrease or increase the stitch width until the swing of the needle matches the holes of the button.

3. You can increase or decrease the number of stitches that will fasten the button on the fabric in steps of two, using the stitch length buttons. The set number of stitches is indicated on the display. 8 stitches is default.
4. Press the foot control. The sewing machine will sew the set number of stitches and then tie off and stop.
5. Raise feed teeth when button sewing is completed.

Tip: Place the thin end of the multipurpose tool under the button when sewing on light fabrics. Use the thick end for heavier fabrics. Hold in place on the fabric with transparent tape.



Sewing Zippers

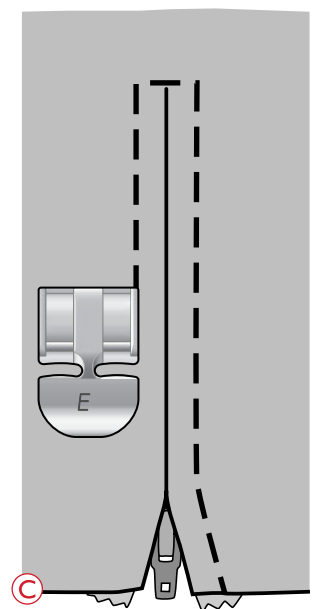
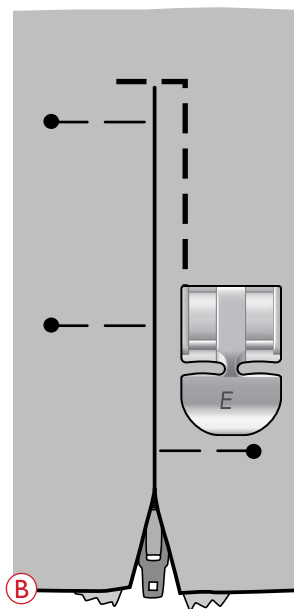
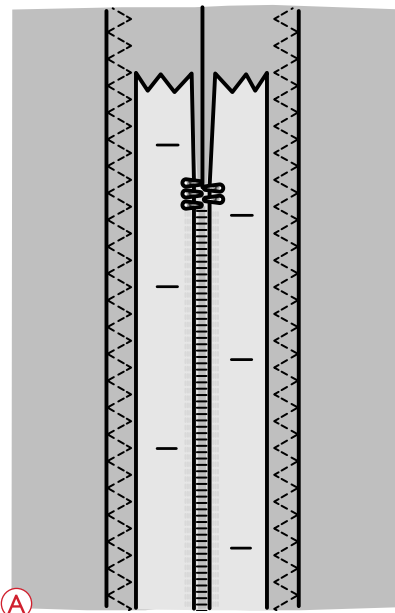
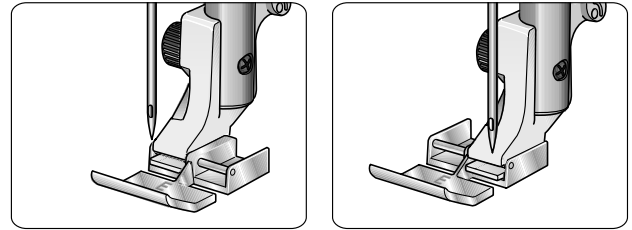
The Zipper Foot E can be snapped on either the right or the left of the needle, making it easy to sew both sides of the zipper. To sew the other side of the zipper, reposition the Zipper Foot.

Move the needle position to the far left or right to stitch close to the zipper teeth or cording.

Center Zipper

1. Sew the two fabrics right sides together along the $\frac{5}{8}$ " (15 mm) seam line, stopping at the notch for the zipper placement.
2. Baste the remaining seam where the zipper will be placed. Press the seam open. Place the zipper right side to the pressed open seam allowance, placing the zipper stop at the notch. Pin the zipper on the right side so it stays in place (A).
3. Select straight stitch and move the needle position to the left. Snap on the Zipper Foot E so the needle is on the left side of the foot. Place fabric under the foot right side up with the zipper foot on the right side of the zipper.
4. Begin stitching across the bottom, turn the fabric and stitch the right side of the zipper to the top (B).
5. To avoid fabric shifting, sew the left side of the zipper in the same direction. Snap on the Zipper Foot E so the needle is on the right side of the foot. Move the needle position to the right.
6. Begin stitching across the bottom, turn the fabric and stitch the left side of the zipper sewing from the bottom to the top (C).
7. Remove the basting stitches.

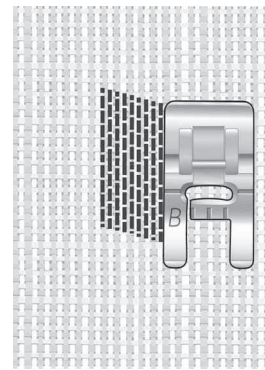
Note: To adjust the position of the stitching line, adjust the needle position with the +/- buttons.



Darning and Mending

Darning a small hole or a tear before it becomes larger can save a garment. Choose a fine thread in a color as close to your garment as possible.

1. Place the fabric in position under the presser foot.
2. Start sewing above the hole and over it.
3. Once over the hole, press the reverse button. Continue sewing. The machine sews back and forth across the hole 16 times and then stops.
4. The LED next to the STOP button is lit automatically, indicating that the darning stitch can be repeated with the same size. Reposition your fabric, then step on the foot control to sew again. The stitch will now repeat the same size darning square. The machine will stop automatically when the stitch is completed. To cancel the repeat function, press the STOP button.

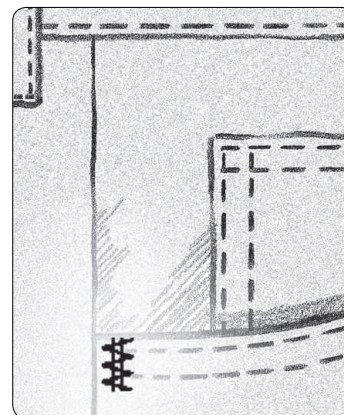


Stitch number 28.

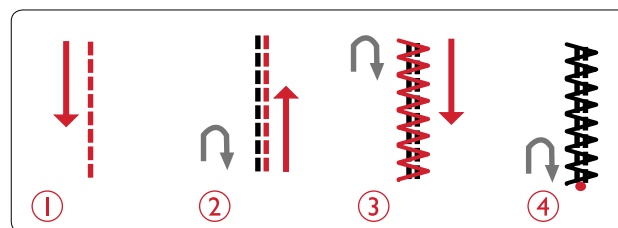
Bartack (Manual)

Secure elastic ends, drapery pleats, belt loops, and pocket corners with the same look as ready-to-wear.

- Place fabric under the presser foot.
 - Lower the presser foot.
 - Step on the foot control.
1. Your machine will sew a straight stitch until you press reverse.
 2. Your machine will then sew in reverse until you press reverse again.
 3. Your machine will then sew a zigzag, covering the straight stitches.
 4. Press reverse to automatically tie off.
 5. The LED next to the STOP button is lit automatically, indicating that the stitch can be repeated with the same size. Reposition your fabric, then step on the foot control to sew again. The stitch will now repeat the same size bartack. The machine will stop automatically when the stitch is completed. To cancel the repeat function, press the STOP button.



Woven heavy and stitch number 29.



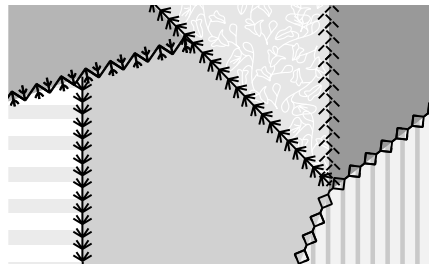
Quilting

A quilt usually consists of three layers, two layers of fabric with a layer of batting sandwiched between. To sew three layers together, you have a wide variety of stitches and techniques to choose from. When the quilting is finished simply bind the edges or make it into cushions, wearable art or other smaller projects.

Crazy Quilt Stitching

Embellish your quilt with decorative stitches. The stitches can be sewn in a coordinating or contrasting color. Decorative threads like rayon embroidery or heavy cotton threads are sometimes used.

Stitches number 34–57 are perfect for crazy quilting.



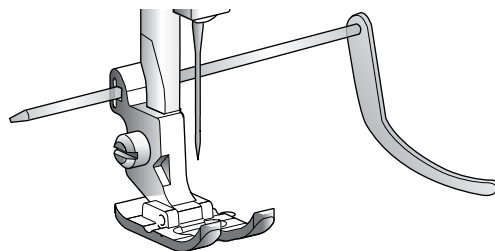
Hand-Look Quilting

Simulate the look of handmade quilting with invisible thread and the hand-look quilting stitch (21). Increase the thread tension to 6–8 to get the accurate hand stitched look. Thread the needle with clear invisible thread and the bobbin with a color of thread that coordinates with your fabric.

Stitch along one of the seams of your project. The hand-look effect is created as the bobbin thread is pulled up to the top of the quilt.

Note: When sewing with the hand-look quilting stitch, the result depends on what fabric, batting and thread you are using. Be sure to try the stitch on a sample first. Adjust the thread tension as needed for your project.

Note: Use the edge guide to sew successive rows. Insert the edge guide into the hole of the presser foot holder. Set the desired spacing by sliding the edge guide.

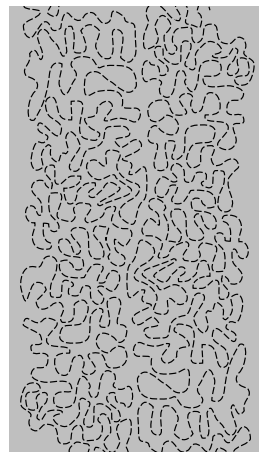


Free Motion Quilting

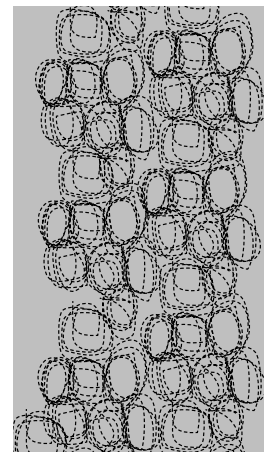
Free motion quilting not only keeps the top, batting and backing together, but it also adds texture and interest to your quilt.

There are several techniques to use when free motion quilting. Decorate your quilt as you like, only your imagination sets the limits. Two free motion techniques are stippling and circles.

Free motion stippling is typically a tightly and evenly spaced meandering stitch line. When stippling, draw squiggles with the needle as you sew. Another technique is to make circular motions on the fabric as you sew creating a stone shaped pattern.



Free motion stippling.



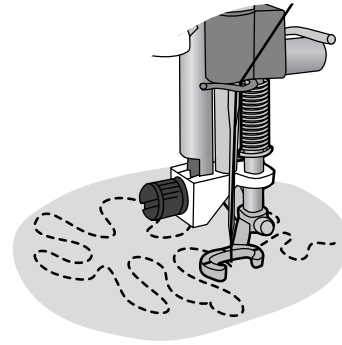
Free motion with circular motions.

Free motion quilting is done with the feed teeth lowered. You move the fabric manually to determine the stitch length. When free motion quilting, use the Open Toe Free Motion Spring Foot (optional accessory, part number 4130376-46).

Begin by basting your quilt through all layers, starting from the center of your quilt and working out.

1. Attach the Open Toe Free Motion Spring Foot and lower the feed teeth. Select needle stop up/down to put the needle in down position.
2. Sew at a constant medium speed, moving the fabric at a consistent speed, this will help to keep the stitches even. The length of the stitch is created as you move the fabric.

Tip: Practice free motion sewing on scraps of the fabric and batting from your quilt. It is important to move your hands at the same speed as the needle to prevent stitches that are too long or too short. Maintaining a consistent speed while free-motion sewing will keep stitches even.




Open Toe Free Motion Spring Foot (optional accessory, part number 4130376-46).

4 Maintenance

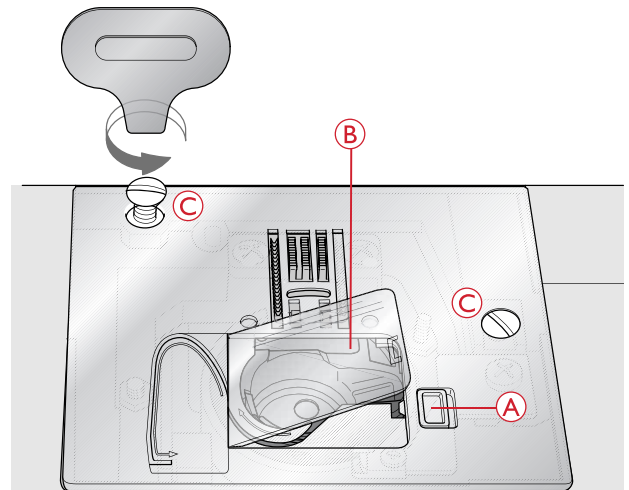
Cleaning the Machine

To keep your sewing machine operating well, clean it often. No lubrication (oiling) is needed. Wipe the exterior surface of your machine with a soft cloth to remove any dust or lint built up.

Cleaning the Bobbin Area

 Lower the feed teeth and turn off the machine.

Remove the presser foot. Push the bobbin cover release button (A) to the right and remove the bobbin cover (B) and the bobbin. Use the screwdriver for the needle plate to remove the two screws (C) in the needle plate. Lift up the needle plate. Clean the feed teeth and bobbin area with the brush included with the accessories.

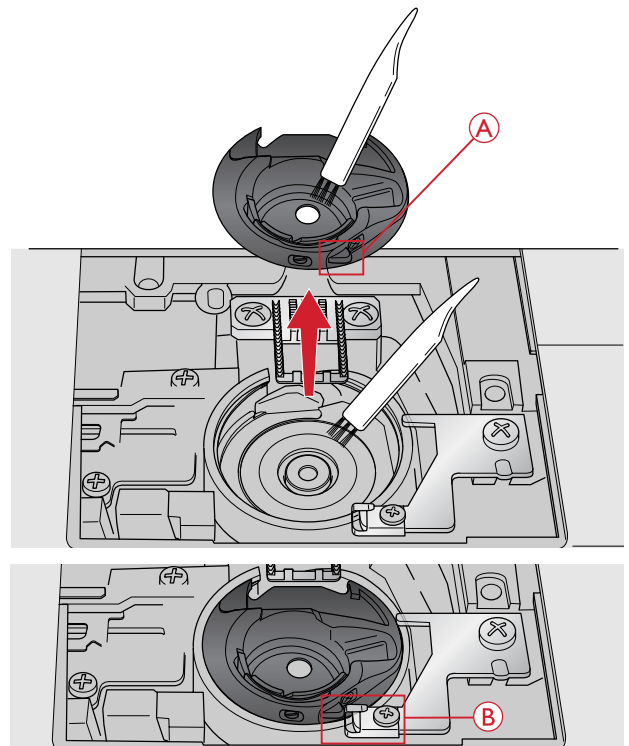


Cleaning Under the Bobbin Area

Clean the area under the bobbin case after sewing several projects or any time you notice an accumulation of lint in the bobbin case area. Remove the bobbin case by lifting it up. Clean the area with the brush or a dry cloth.

Put the bobbin case in place so that the tip (A) fits into the stopper (B).

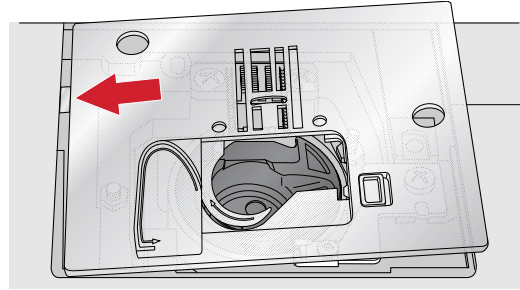
Note: Do not blow air into the bobbin case area. The dust and lint will be blown into your machine.



Replacing the Needle Plate

With the feed teeth lowered, replace the needle plate and insert and tighten the two needle plate screws.

Replace the bobbin cover.



Troubleshooting

In this troubleshooting guide you will find solutions to any issues you may have with your machine. For further information please contact your local authorized HUSQVARNA VIKING® retailer who will be happy to help you.

General Problems

Fabric does not feed?	Make sure the feed teeth are not lowered.
The needle breaks?	Insert needle correctly as described, see page 22 . Use a needle suitable for selected fabric.
The machine will not sew?	Check that all plugs are securely plugged into the machine and the wall socket. Check that the foot control cord is securely plugged into the front socket on the bottom right side of the machine. Push bobbin winder spindle to sewing position.
The sewing machine function buttons do not respond to touch?	The sockets and function buttons on the machine can be sensitive to static electricity. If the buttons do not respond to touch, turn the machine OFF and then ON again. If the problem persists, contact your local authorized HUSQVARNA VIKING® retailer.

The Machine Skips Stitches

Did you insert the needle properly?	Insert needle correctly as described, see page 22 .
Did you insert a wrong needle?	Use needle system 130/705 H. Use a needle suitable for selected fabric and thread.
Is the needle bent or blunt?	Insert a new needle.
Did you thread the machine properly?	Remove the thread completely and rethread the machine, see Threading the Machine, page 15 .
Is the correct presser foot used?	Attach correct presser foot. See View Presser Foot Recommendation, page 24
Is the needle too small for the thread?	Change the needle to the proper size for the thread.

Needle Thread Breaks

Did you insert the needle properly?	Insert needle correctly as described, see page 22 .
Did you insert a wrong needle?	Use needle system 130/705 H. Use a needle suitable for selected fabric and thread.
Is the needle bent or blunt?	Insert a new needle.
Did you thread the machine properly?	Remove the thread completely and rethread the machine, see Threading the Machine, page 15 .
Is the needle too small for the thread?	Change the needle to the proper size for the thread.
Are you using poor thread with slubs or thread which has become dry?	Change to a new high quality thread purchased from an authorized HUSQVARNA VIKING® retailer.
Is the correct spool cap used?	Attach the correct spool cap for your thread spool.
Is the best spool pin position used?	Try a different spool pin position (vertical or horizontal).
Is the needle plate hole damaged?	Change the needle plate.

Bobbin Thread Breaks

Did you insert the bobbin properly?	Check the bobbin thread.
Is the needle plate hole damaged?	Change the needle plate.
Is the bobbin area full of lint?	Clean lint from bobbin area and use only the bobbins approved for this model.
Is the bobbin wound correctly?	Wind a new bobbin.

The Seam Has Uneven Stitches

Is the thread tension correct?	Check needle thread tension. Remove the thread completely and rethread the machine, see Threading the Machine, page 15 .
Is the thread you are using thick or slubbed?	Change the thread.
Is the bobbin thread evenly wound?	Check bobbin winding.
Is a correct needle used?	Insert a proper needle correctly as described, see page 22 . Use a needle suitable for selected fabric and thread.

The Machine Does Not Feed or Feeds Irregularly

Did you thread the machine properly?	Remove the thread completely and rethread the machine, see Threading the Machine, page 15 .
Has lint collected between the feed teeth?	Remove the needle plate and clean the feed teeth with the brush.
Are the feed teeth lowered?	Raise the feed teeth.

Unable To Sew a Buttonhole

Are you experiencing problems when using the One-Step Buttonhole Foot?	Lower the buttonhole lever all the way down. Lower the presser foot gently.
--	---

The Main Motor Becomes Overloaded

Has the thread become twisted or jammed in the bobbin case area or the feed teeth?	Remove the needle plate and clean threads and lint from the feed teeth and bobbin case area. Re-thread the machine, both top and bobbin threads.
--	---

Have Your Sewing Machine Serviced Regularly by Your Local Authorized Retailer!

If you have followed this troubleshooting information and still have problems, contact your retailer. It may be helpful to bring the fabric, thread and stabilizer you are using with you. If you have a stitch out that shows the problem, please bring that as well. A sewing sample will often give better information than words and help your technician diagnose the problem.

Non-Original Parts and Accessories

The warranty does not cover any defect or damage caused by use of non-original accessories or parts.

Technical Specification

Sewing Machine

Rated voltage	100–240V ~ 50/60Hz
Nominal consumption	55W
Light	LED
Sewing speed	800 rpm maximum
Machine dimensions:	
Length (mm)	464
Width (mm)	193
Height (mm)	316
Net weight (kg)	8.5

Foot Control

Model	C-9002
Rated voltage	DC 15V, max. 3mA

- The technical specifications and this owner's manual can be changed without prior notice.

Index

A

Accessories	7
Accessory Tray	6
Auxiliary spool pin	7
Auxiliary Spool Pin.....	15

B

Bartack (Manual).....	39
Baste.....	32
Blind Hem	32
Blind Hem Foot D	8
Bobbin cover.....	5
Bobbin spindle, bobbin stop	5
Bobbin Thread Breaks	44
Bobbin winder thread guide and tension disc	5
Bobbin Winding	18
Bobbins.....	7
Brush.....	7
Buttonhole Foot C	8
Buttonhole lever	6
buttonholes.....	34
Buttons and LED display	5

C

Center Zipper.....	38
Changing the Needle	22
Changing the Presser Foot.....	22
Cleaning the Bobbin Area.....	42
Cleaning the Machine.....	42
Cleaning Under the Bobbin Area	42
Connect the foot control cord	13
Connect the power cord	13
Corded Buttonhole (Stretch Fabrics).....	36
Crazy Quilt Stitching.....	40
Cutting the Thread	16

D

Darning and Mending.....	39
Decorative Stitch Foot B	8
Decorative Stitches.....	11
Drop feed teeth switch.....	6

E

edge guide.....	40
Edge guide.....	7
Edging Foot J.....	8

F

Fabric Selection	28
feed teeth.....	20
felt pad.....	14
Felt pad	7
FIX Function	23
Free arm.....	5
Free Arm.....	14
Free Motion Quilting	40
Front	5
Function Buttons	23

G

General Problems	43
------------------------	----

H

Hand-Look Quilting.....	40
Handle	6
Handwheel.....	5
Hem	33
Hole for auxiliary spool pin.....	5

I

Important Needle Information.....	21
Inserting the Bobbin.....	19

J

Jeans Hem	33
-----------------	----

L

LED lights.....	5
LED Lights.....	13
Lid with stitch overview	5
Lowering the Feed Teeth	20

M

Machine Overview	5
Manual Buttonhole.....	35
Mirror Side to Side	27
Mounting Machine in Sewing Cabinet.....	14

N

Needle Area	6
Needle bar	6
Needle clamp screw	6
Needle plate	5
Needle Position	27
Needle Stop Up/Down	23
Needle Thread Breaks	44
Needle thread guide	6
Needle threader	6
Needle Threader	16
Needles	21

O

ON/OFF switch	5, 13
One-Step Buttonhole	34
One-Step Buttonhole Foot C	8
Open the Accessory Tray	6
Overcast	31

P

Pack Away After Sewing	13
Presser bar	6
Presser Feet	8
Presser foot	6
Presser foot ankle	6
Presser foot lift	6
Presser Foot Lift	22
Presser Foot Pressure	22
Presser foot pressure dial	5
Presser Foot Recommendation	24

Q

Quilt Stitches	11
Quilting	40

R

Rear Side	6
Replacing the Needle Plate	43
Reverse	24

S

Screwdriver	7
Screwdriver for needle plate	7
Seam	30
Seam and Overcast	31

Seam ripper	7
Selecting a Stitch	26
Self-Adhesive Glide Plate	8
Sewing Buttonholes	34
Sewing Guide	28
Sewing on Buttons	37
Sewing Techniques	29
Sewing Zippers	38
sockets for power cord and foot control	5
Speed + and -	23
spool cap	14
Spool cap, large	7
Spool cap, small	7
Spool pin	5
Spool Pins	14
Start/Stop	24
Stitch Length/Stitch Density	26
Stitch Overview	9
Stitch Selection Buttons	24
Stitch Settings	26
Stitch Width	27
STOP Function	23
Storage Box	6
Stretch (knit) fabric	28
Stretch Hem	33

T

Technical Specification	45
The Machine Does Not Feed or Feeds Irregularly	44
The Machine Skips Stitches	43
The Main Motor Becomes Overloaded	45
The Seam Has Uneven Stitches	44
Thread cutter	5
Thread cutter for bobbin thread	5
Thread guide	5
Thread guide for auxiliary spool	5
Thread guide for bobbin winding through the needle	5
thread net	14
Thread net	7
Thread take-up lever	5
Thread Tension	20
Thread tension dial	5
Thread tension discs	5
Threading for Twin Needle	17
Threading the Machine	15
Troubleshooting	43
twin needle	17

U

Unable To Sew a Buttonhole	44
Unpacking	12
Utility Foot A	8
Utility Stitches	9

W

Warning Messages	25
Winding From Horizontal Position	18
Winding Through the Needle	19
Woven fabric	28

Z

Zipper Foot E	8
---------------------	---

We reserve the right to change the machine equipment and the assortment of accessories without prior notice, or make modifications to the performance or design. Such modifications, however, will always be to the benefit of the user and the product.

INTELLECTUAL PROPERTY

JADE, VIKING and KEEPING THE WORLD SEWING & Design are trademarks of KSIN Luxembourg II, S.ar.l.

HUSQVARNA and the "crowned H-mark" are trademarks of Husqvarna AB. All trademarks are used under license by VSM Group AB.



Please note that on disposal, this product must be safely recycled in accordance with relevant National legislation relating to electrical/electronic products. Do not dispose of electrical appliances as unsorted municipal waste, use separate collection facilities. Contact your local government for information regarding the collection systems available. When replacing old appliances with new ones, the retailer may be legally obligated to take back your old appliance for disposal free of charge.

If electrical appliances are disposed of in landfills or dumps, hazardous substances can leak into the groundwater and get into the food chain, damaging your health and well-being.

CE – Authorised Representative

VSM GROUP AB, **SVP Worldwide**

Drottninggatan 2, SE-56184, Huskvarna, SWEDEN

