



View this machine and more at:

<https://www.thesewingstudio.co.uk>

# User's Guide

## *Huskylock*™ s21



This household sewing machine is designed to comply with IEC/EN 60335-2-28 and UL1594

## IMPORTANT SAFETY INSTRUCTIONS

When using an electrical appliance, basic safety precautions should always be followed, including the following:

Read all instructions before using this household sewing machine.

### DANGER - To reduce the risk of electric shock:

- A sewing machine should never be left unattended when plugged in. Always unplug this sewing machine from the electric outlet immediately after using and before cleaning.
- Always unplug before relamping. Replace bulb with same type rated 15 Watt.

### WARNING - To reduce the risk of burns, fire, electric shock, or injury to persons:

- This sewing machine is not intended for use by persons (including children) with reduced physical, sensory or mental capabilities, or lack of experience and knowledge, unless they have been given supervision or instruction concerning use of the sewing machine by a person responsible for their safety.
- Children should be supervised to ensure that they do not play with the sewing machine.
- Use this sewing machine only for its intended use as described in this manual. Use only attachments recommended by the manufacturer as contained in this manual.
- Never operate this sewing machine if it has a damaged cord or plug, if it is not working properly, if it has been dropped or damaged, or dropped into water. Return the sewing machine to the nearest authorized dealer or service center for examination, repair, electrical or mechanical adjustment.
- Never operate the sewing machine with any air openings blocked. Keep ventilation openings of the sewing machine and foot controller free from the accumulation of lint, dust, and loose cloth.
- Keep fingers away from all moving parts. Special care is required around the sewing machine needle and blades.
- Always use the proper needle plate. The wrong plate can cause the needle to break.
- Do not use bent needles.
- Do not pull or push fabric while stitching. It may deflect the needle causing it to break.
- Wear safety glasses.
- Switch the sewing machine off ("0") when making any adjustment in the needle area, such as threading needle, changing needle, or changing presser foot, etc.
- Always unplug sewing machine from the electrical outlet when removing covers, lubricating, or when making any other user servicing adjustments mentioned in the instruction manual.
- Never drop or insert any object into any opening.
- Do not use outdoors.
- Do not operate where aerosol (spray) products are being used or where oxygen is being administered.
- To disconnect, turn all controls to the off ("0") position, then remove plug from outlet.
- Do not unplug by pulling on cord. To unplug, grasp the plug, not the cord.

## SAVE THESE INSTRUCTIONS



Please note that on disposal, this product must be safely recycled in accordance with relevant National legislation relating to electrical/electronic products. If in doubt please contact your retailer for guidance

# CONTENTS

Machine Overview .....	4
Accessories .....	5
Optional Accessories.....	6



## 1

### GET TO KNOW YOUR HUSKYLOCK™ s21

Connect Foot Control and Power Supply.....	7
Spool Stand.....	8
Telescopic Thread Stand .....	8
Attach Waste Tray .....	8
Open Front Cover.....	8
Close Front Cover .....	8
Needle Information.....	9
Change Needles.....	9
Presser Foot Lift .....	9
Change Presser Foot.....	10
Movable Upper Cutter.....	10
Disengage the Movable Upper Cutter .....	10
Engage the Movable Upper Cutter .....	10
2-thread Overlock Converter .....	11
Engage the 2-thread Overlock Converter.....	11
Disengage the 2-thread Overlock Converter.....	11
Upper looper.....	11
Disengage the Upper Looper.....	11
Engage the Upper Looper.....	11
Stitch Finger Lever.....	12
Change to Coverstitch Table C.....	12



## 2

### THREAD YOUR HUSKYLOCK™ s21

General Threading Information.....	13
Thread Upper Looper (Green) .....	14
Thread Lower Looper (Blue) .....	15
Thread Chainstitch/ Coverstitch Looper (Navy Blue) .....	16
Thread Right Needle (Red).....	17
Thread Left Needle (Yellow).....	18
Thread Left/Chainstitch Needle (Yellow) .....	19
Thread Coverstitch Needles.....	20
Thread Right Coverstitch Needle (green) .....	20
Thread Middle Coverstitch/Chainstitch Needle (red) .....	21
Thread Coverstitch Left Needle (yellow) .....	22
Needle Threader.....	23
Change Thread.....	23



## 3

### STITCHES & SEWING TECHNIQUES

Stitch Overview.....	25
Start Sewing.....	31
Pin Placement .....	31
Chain Off .....	31
Rolled Edge Sewing.....	32
Coverstitch Sewing.....	32
Flatlock Sewing.....	33
Chainstitch Sewing.....	34
Sewing Hints .....	34
Pintuck Sewing .....	34
Sew in Circles.....	34
Securing the Thread Chain .....	34
Braiding by Chaining Off .....	34



## 4

### STITCH ADJUSTMENTS

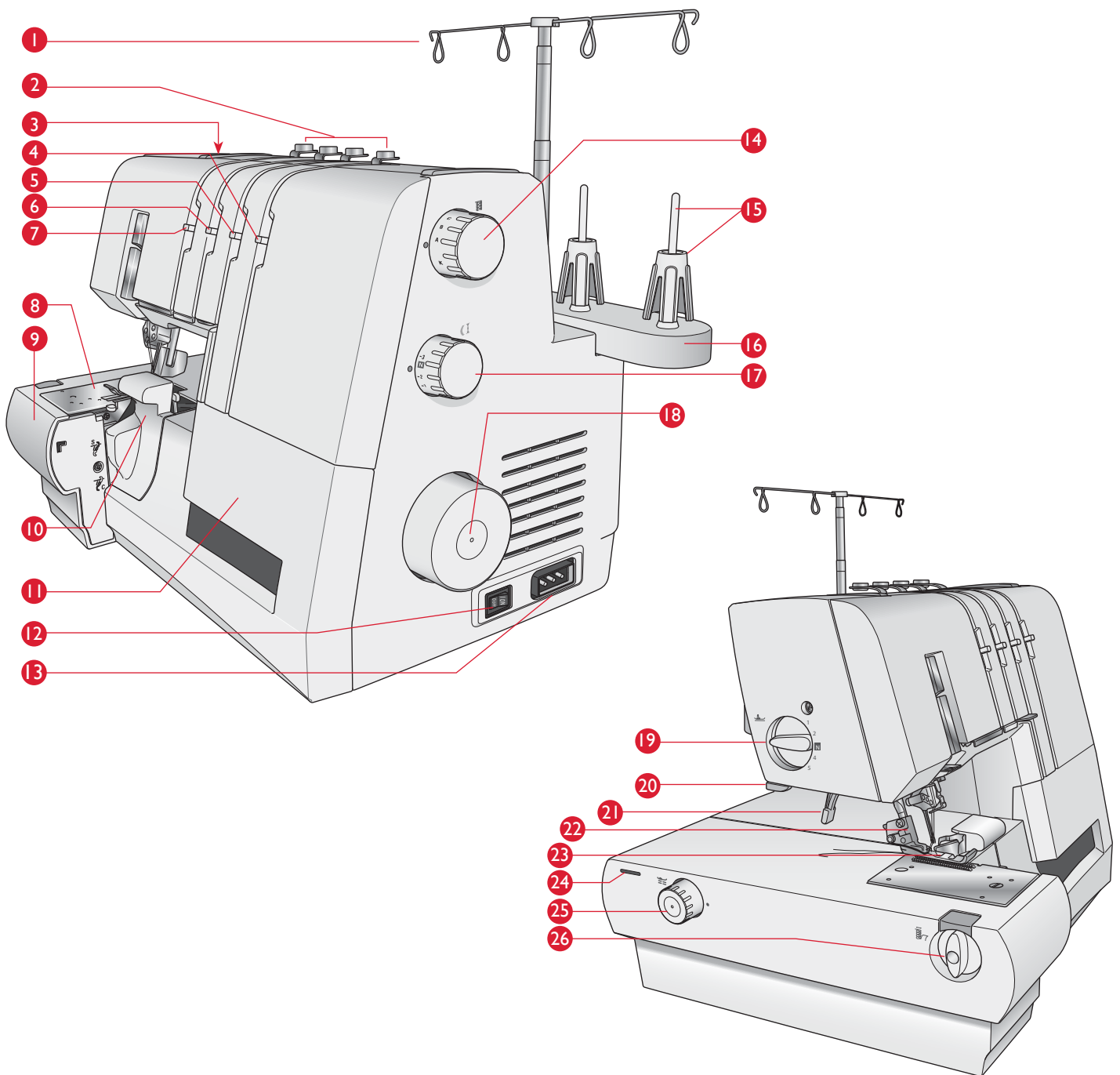
Stitch Width Adjustments.....	35
Width Adjustment by Changing Needle Position.....	35
Width Adjustment with the Cutting Width Dial.....	35
Stitch Length Adjustment.....	35
Presser Foot Pressure Adjustment.....	35
Differential Feed Adjustment.....	36
Fine Tuning Tension Settings.....	37



## 5

### MACHINE MAINTENANCE

Cleaning.....	39
Oiling.....	39
Replacing the Movable Upper Cutter .....	40
Changing the Light Bulb.....	40
Storage.....	40
Servicing.....	40
Trouble shooting.....	41
Specifications.....	42

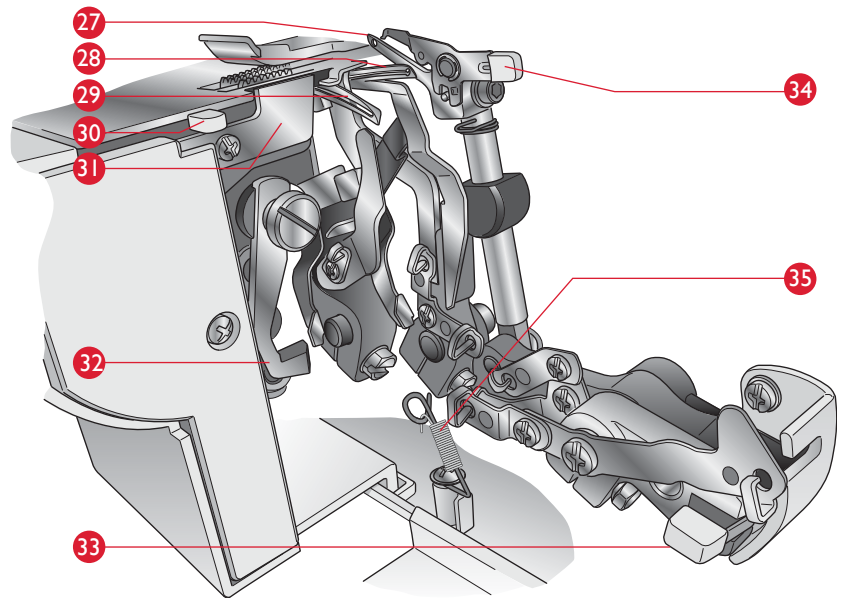


## MACHINE OVERVIEW

- |  |  |
|--|--|
| 1. Telescopic thread stand   | 14. Stitch selection dial                |
| 2. Top cover thread guides   | 15. Spool pin and cone holder            |
| 3. Handle  | 16. Thread stand                         |
| 4. Lower looper/Chainstitch looper thread tension fine tuning lever (blue) | 17. Stitch length dial                   |
| 5. Upper looper thread tension fine tuning lever (green)                   | 18. Hand wheel                           |
| 6. Right needle thread tension fine tuning lever (red)                     | 19. Presser foot pressure adjusting dial |
| 7. Left needle thread tension fine tuning lever (yellow)                   | 20. Thread cutter                        |
| 8. Stitch plate  | 21. Presser foot lifter                  |
| 9. Flat bed extension  | 22. Presser foot ankle                   |
| 10. Cutter cover S   | 23. Presser foot                         |
| 11. Front cover  | 24. Hole for extension table             |
| 12. Power & light switch   | 25. Differential feed adjusting dial     |
| 13. Foot control/electric power cord socket                                | 26. Cutting width dial                   |

## Main Parts Behind the Front Cover

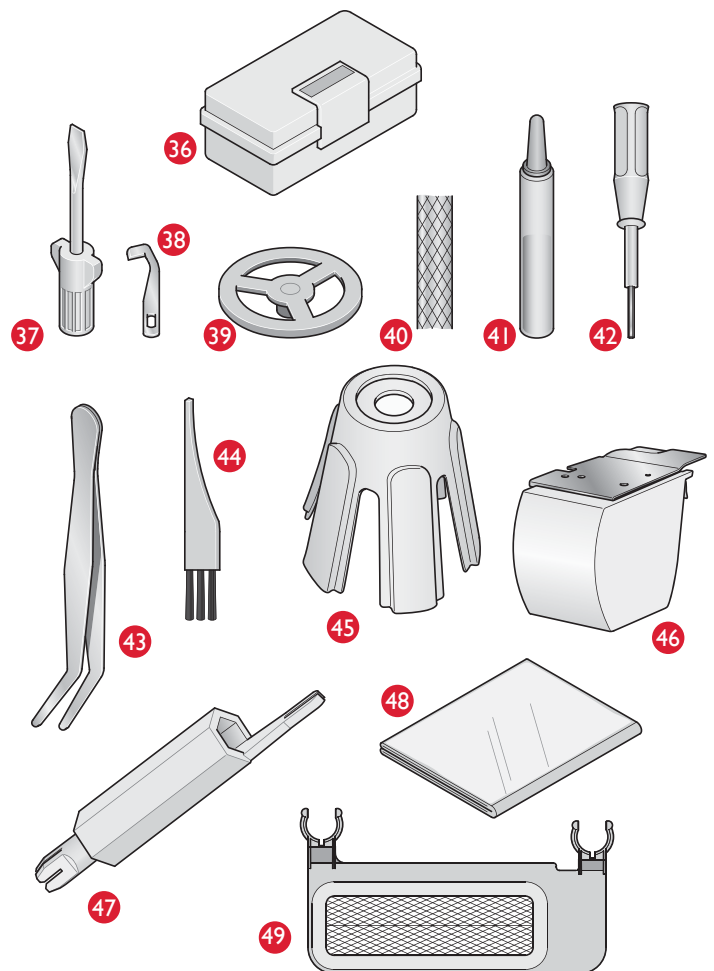
- 27. Upper looper
- 28. Lower looper
- 29. Chain/Cover looper
- 30. Stitch finger lever
- 31. Stationary lower cutter
- 32. Moveable upper cutter
- 33. Upper looper clutch
- 34. 2-thread converter
- 35. Chain/Coverstitch thread guide



## ACCESSORIES

Accessories are contained in the accessory box

- 36. Accessory box
- 37. Screwdriver
- 38. Knife blade (for upper cutter)
- 39. Thread unreeling discs (4)
- 40. Thread spool nets (4)
- 41. Oiler
- 42. Allen key
- 43. Tweezers
- 44. Lint brush
- 45. Cone holders (4)
- 46. Coverstitch table/Cutter cover C (for Cover/Chainstitch)
- 47. Needle threader
- 48. Dust cover
- 49. Waste tray
- 50. Extension table including four legs and push pin (not pictured).  
Assemble the extension table and legs according to the illustrations provided with the table. The push pin is used in the small holes in the table to hold your fabric in place when sewing circles (see page 34).
- 51. Needle pack (not pictured) including three needles, size #14/90 and two needles, size #12/80 (system ELx705).  
Two needles, size #14/90, are in the machine on delivery.

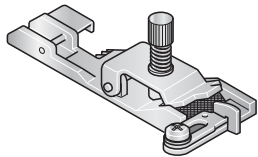




## OPTIONAL ACCESSORIES

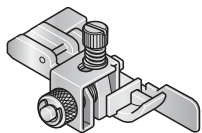
from *INSPIRA™*

Optional presser feet specially prepared for this machine are available at your dealer. The snap-on type presser foot used on this machine allows easy removal and replacement.



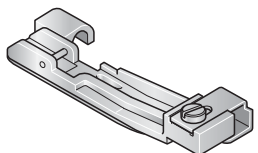
**Elastic Foot 620 08 65-96**

The Elastic Foot guides and stretches narrow elastic (6-12 mm, ¼-½") as you sew it to fabric. It is great for sewing for active wear, lingerie and other elastic insertion techniques.



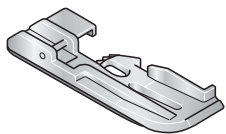
**Blindhem & Lace Foot 620 08 69-96**

The Blindhem Foot is perfect for sewing invisible hems and for applying lace. The hem is sewn, overcast and trimmed in one step.



**Beading Foot 620 08 66-96**

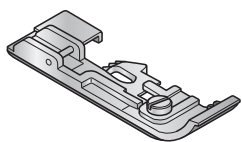
The Beading Foot smoothly guides beads and pearls through a channel on the foot for easy application on garments or crafts.



**Piping Foot 620 08 67-96**

The Piping Foot is perfect for inserting packaged piping into seams and on edges for a tailored finish. The trim is sewn between the two layers of fabric in one step. A groove under the foot helps guide the piping. You can also create your own piping for a custom finish.

The Piping Foot makes it fast and easy to cover cording with fabric and to insert piping into seams for a professional look!



**Taping Foot 620 08 68-96**

The Taping Foot is used to apply seam tapes to seams to prevent stretching. It is especially good for stabilizing shoulder seams. With this foot you can reinforce and construct seams in one step.



*Some fabrics have a lot of excess dye which can cause discoloration on other fabric but also on your overlock machine. This discoloring may be very difficult or impossible to remove.*

*Fleece and denim fabric, especially red and blue, often contain a lot of excess dye.*

*If you suspect that your fabric/ready-to-wear garment contains a lot of excess dye, always pre-wash it before sewing to avoid the discoloring.*



# 1

## GET TO KNOW YOUR HUSKYLOCK™ s21

### CONNECT FOOT CONTROL AND POWER SUPPLY

Foot control to use with this machine:

*Type 4C-345B22 for USA/Canada*

*Type 4C-345G22 for Europe*

*Type 4C-345G25 for UK*

*Type 4C-345G23 for Australia*

Before plugging your machine in, make sure the voltage is the same as indicated on the plate under the machine. Specifications vary from country to country.

1. Connect the foot control/electric power cord to the socket on the machine.
2. Plug the power cord plug into the electric outlet.
3. Push the power switch to “ON” to turn on the machine.
4. Press the foot control to start sewing. Use the foot control to adjust the sewing speed. The harder you press, the faster the machine will sew. To stop the machine from sewing, remove your foot from the control.

*Note: On the side of the foot control is a speed control slide (A) for selecting full or half speed. If you press the foot control to the bottom, the machine runs at the maximum speed set by the speed control slide.*

5. Push the power switch to “OFF” to turn off the machine.

*Note: When the front cover is open the safety switch is activated and prevents the machine from sewing, even if the foot control is pressed.*



### POLARIZED PLUG INFORMATION

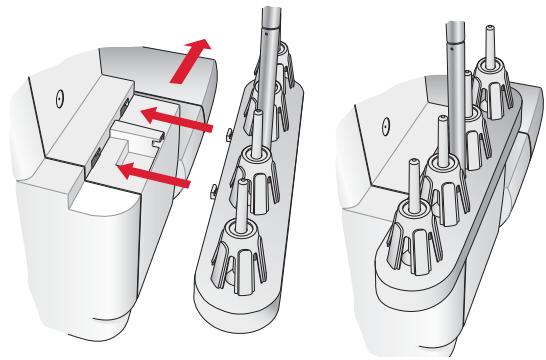
*(For U.S.A. & Canada Only)*

This appliance has a polarized plug (one blade wider than the other). To reduce the risk of electric shock, this plug is intended to fit in a polarized outlet only way. If the plug does not fit fully in the outlet, reverse the plug. If it still does not fit, contact a qualified electrician to install the proper outlet. Do not modify the plug in any way.



## SPOOL STAND

Insert the spool stand then push to the right as illustrated.

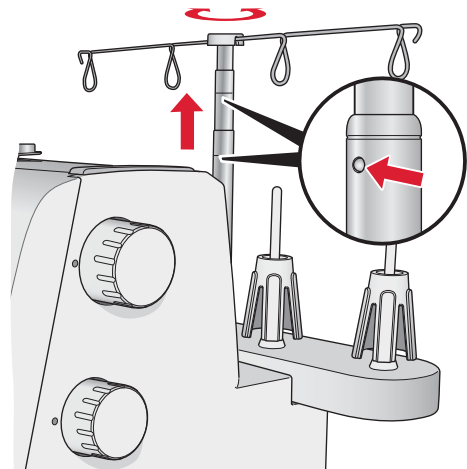


## TELESCOPIC THREAD STAND

Extend the telescopic thread stand to its full height, then turn until it clicks into place.

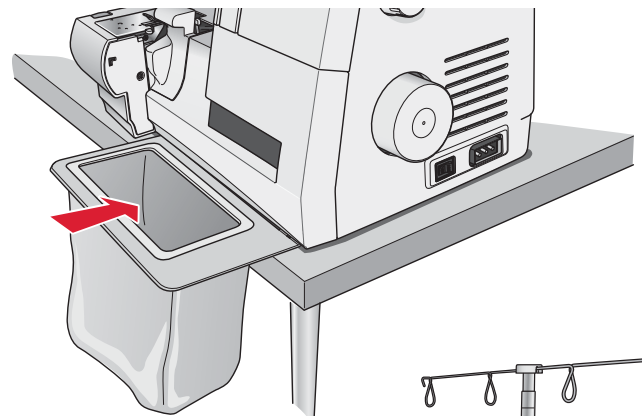
Place the thread spools over the cone holders on the spool pin.

If the machine is already threaded, straighten the threads to prevent tangling.



## ATTACH WASTE TRAY

Position the machine so the front is nearly aligned with the edge of the table. Insert the U-shaped hooks of the waste tray onto the two suction cups on the underside of the machine. Make sure the trim falls into the bag while sewing.



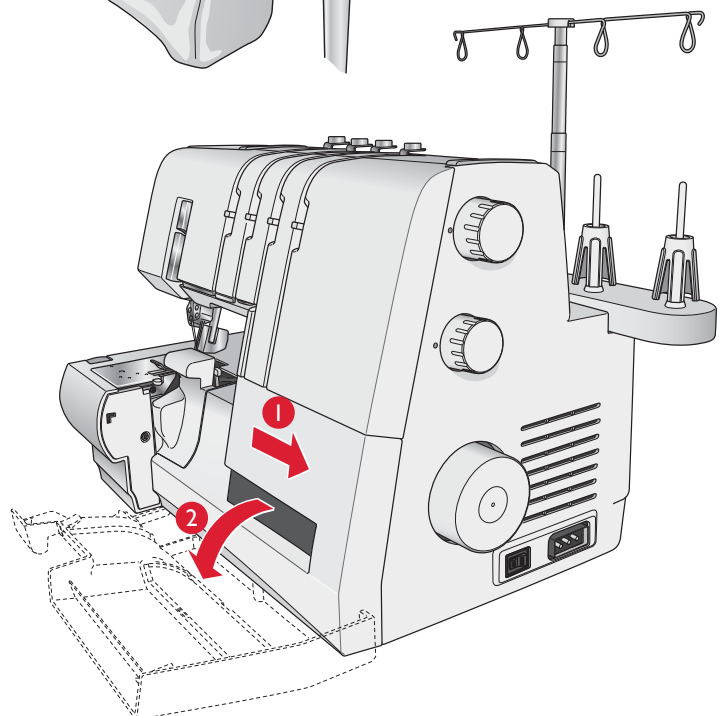
## OPEN FRONT COVER

First push the cover to the right as far as it will go (1) and then pull it downward toward you (2).

## CLOSE FRONT COVER

First pull the cover upward and then slide it to the left until it locks.

*Note: The front cover has a safety switch and the machine will not sew if the front cover is open.*

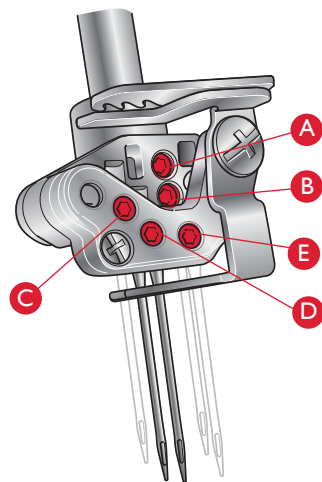


## NEEDLE INFORMATION

This overlock uses a flat shank industrial needle that eliminates the possibility of inserting the needle backwards.


Do not attempt to use a standard household sewing machine needle of any size or type in this overlock.

Use INSPIRA™ needles EL x 705 sizes 14/90 and 12/80, supplied with this machine.



- A – Overlock left needle
- B – Overlock right needle
- C – Coverstitch left needle
- D – Coverstitch middle needle
- E – Coverstitch right needle

## CHANGE NEEDLES

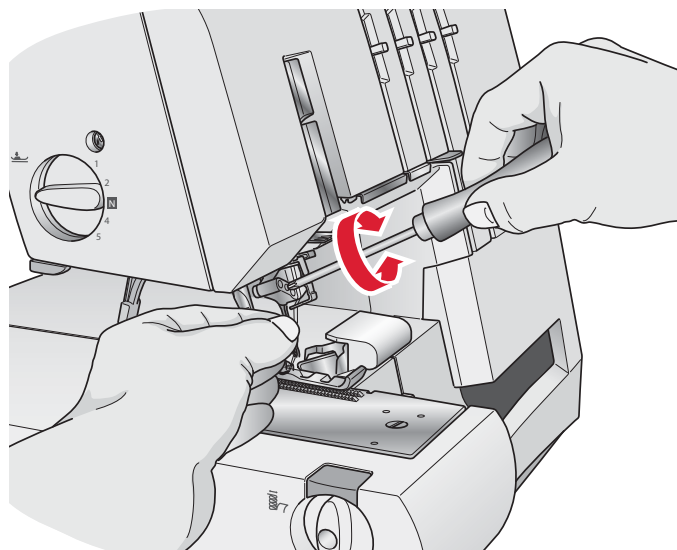
 Turn off the main power switch and unplug the machine.

1. Turn the hand wheel toward you until the needles are at the highest position.
2. Place a thick piece of fabric under the presser foot. Lower the needles halfway into the fabric.
3. Loosen, but do not remove the needle clamp screw with the allen key while you are holding the needles.

*Note: When inserting needles into the A and/or B needle clamps it is necessary to loosen the needle clamp screws for both A and B.*

4. Remove the selected needle.
5. Hold the new needle with the flat surface to the back.
6. Insert the needlet into the needle clamp as far as it will go.
7. Securely tighten the needle clamp screw.

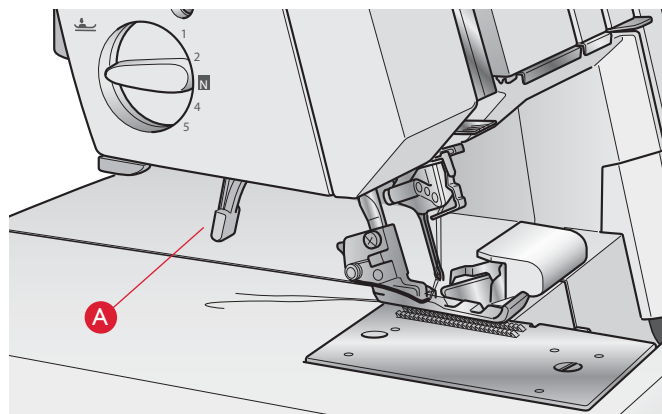
*Note: Do not over-tighten the screw as this may cause the needle clamp to be damaged.*




## PRESSER FOOT LIFT (A)

Raise the presser foot by lowering presser foot lift lever at the back of the machine.

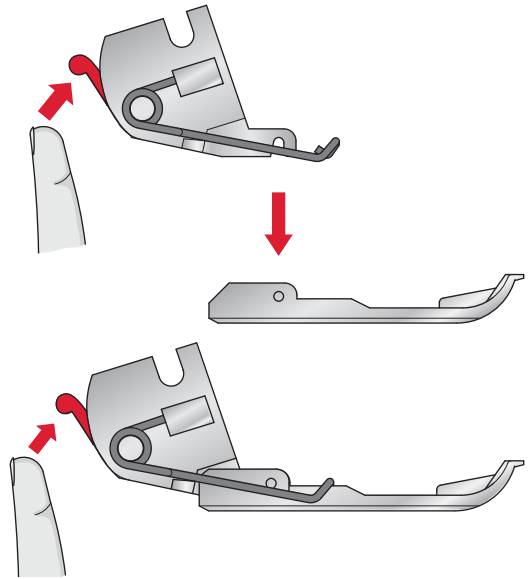
Pressing down on the presser foot lift puts the presser foot in the extra lift position.



## CHANGE PRESSER FOOT


 *Turn off the main power switch and unplug the machine.*

1. Raise the presser foot.
2. Turn the hand wheel toward you until the needles are at the highest position.
3. Push the red button on the back of the presser foot ankle to release the presser foot.
4. Raise the presser foot to the extra lift position and the foot will come off.
5. Place the new foot with the pin right underneath the groove of the ankle while in the extra lift position. Lower the presser foot. Push the red button on the back of the presser foot ankle and the foot will snap into place.

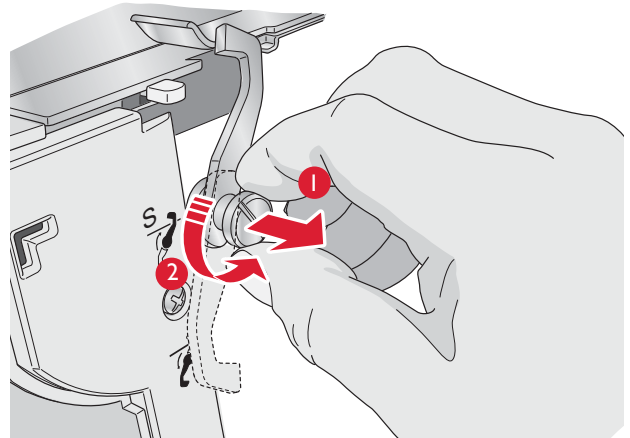


## MOVABLE UPPER CUTTER


**Disengage the Movable Upper Cutter  
(Position C)**

 *Turn off the main power switch and unplug the machine.*

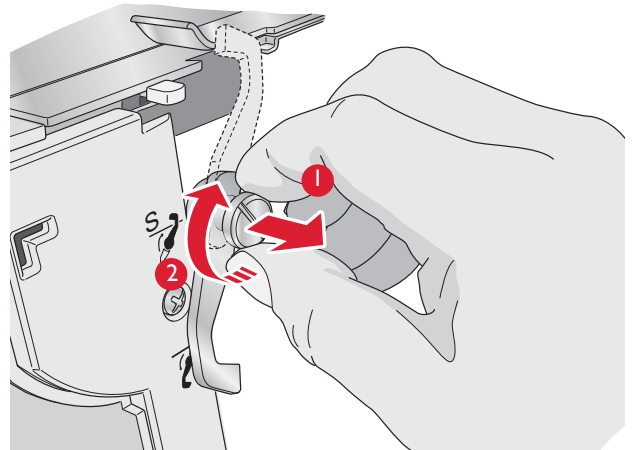
- Turn the handwheel toward you until the upper cutter is raised to the highest position.
- Open the front cover.
- Pull the movable cutter knob to the right as far as it will go (1).
- Turn the knob toward you counter clockwise (2) until the cutter clicks into the locked position C.



**Engage the Movable Upper Cutter  
(Position S)**


 *Turn off the main power switch and unplug the machine.*

- Open the front cover and pull the movable cutter knob to the right as far as it will go (1).
- Turn the knob clockwise (2) until the cutter clicks into the cutting position S.



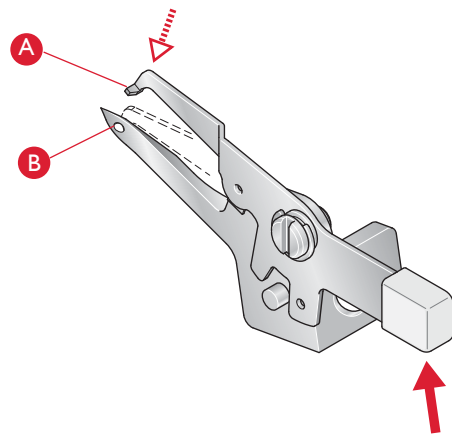
## 2-THREAD OVERLOCK CONVERTER

### Engage the 2-thread Overlock Converter


 Turn off the main power switch and unplug the machine.

2-thread overlock stitches are sewn using one needle thread and the lower looper thread. Before sewing, the 2-thread converter must be attached to the upper looper.

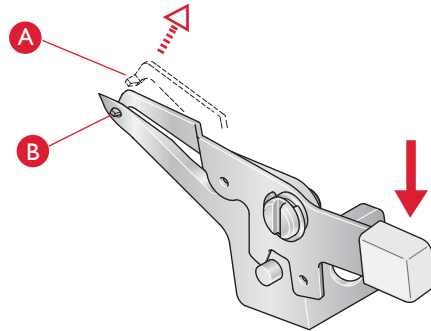
1. Open the front cover.
2. Raise the white handle on the converter to insert the sharp edge (A) of the converter in the eye (B) of the upper looper.



### Disengage the 2-thread Overlock Converter

 Turn off the main power switch and unplug the machine.

Lower the white handle on the converter and remove the sharp edge (A) from the eye (B) of the upper looper.



## UPPER LOOPER

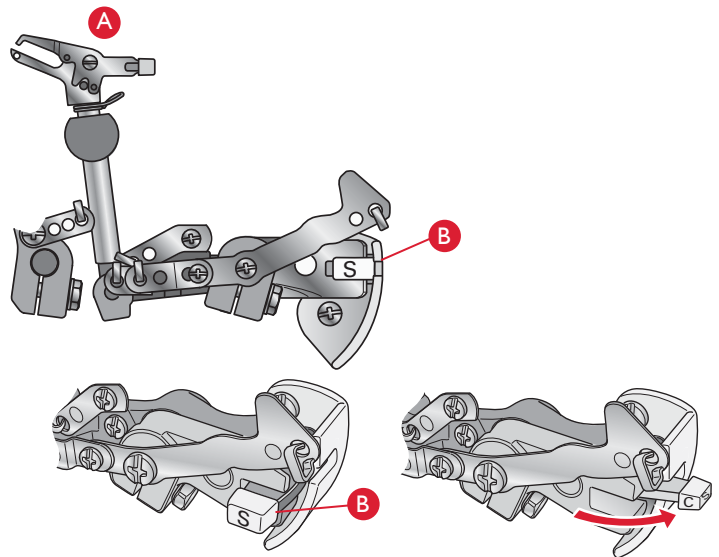
For Coverstitch and Chainstitch sewing the upper looper needs to be disengaged.

### Disengage the Upper Looper

- Turn the handwheel until the upper looper (A) is in its lowest position.
- Push the clutch lever (B) to the right and back until position C is visible from the front.

### Engage the Upper Looper

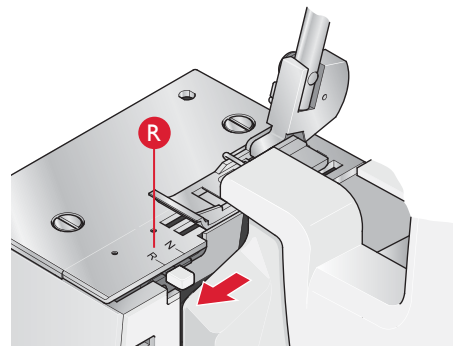
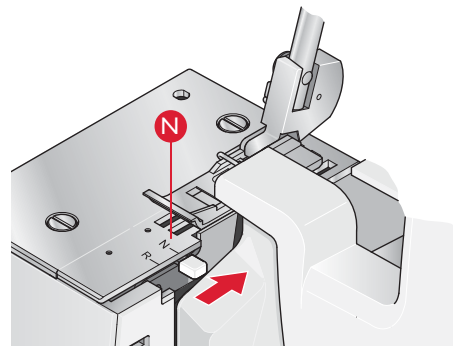
- Turn the handwheel until the upper looper (A) is in its lowest position.
- Pull the clutch lever (B) toward you until position S is visible from the front.



## STITCH FINGER LEVER

The stitch finger lever should be set to N for all standard overlock sewing. To sew rolled edge you need to retract the stitch finger by setting the stitch finger lever to R.

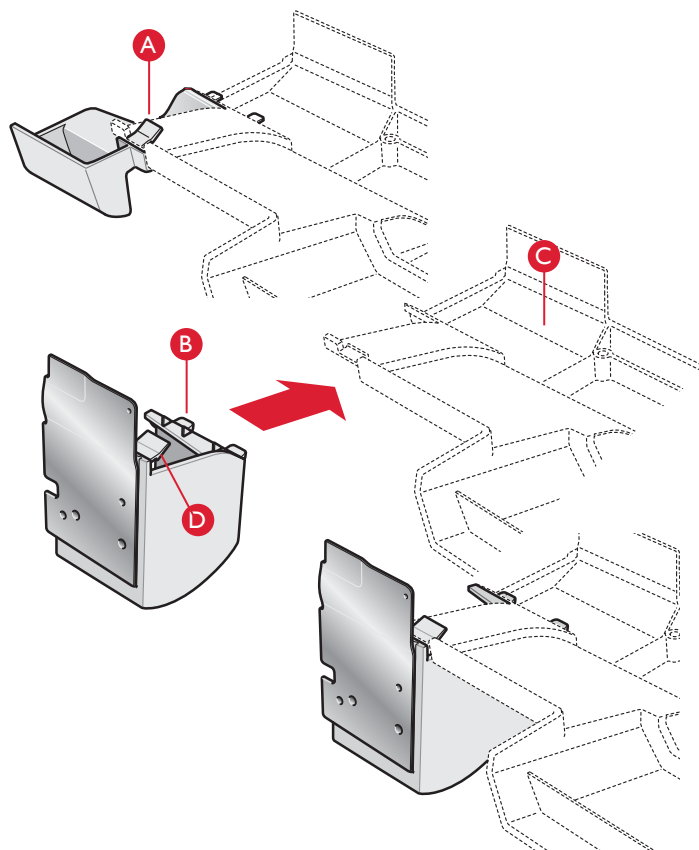
When moving the stitch finger lever, be sure to push the lever as far as it will go in each direction.



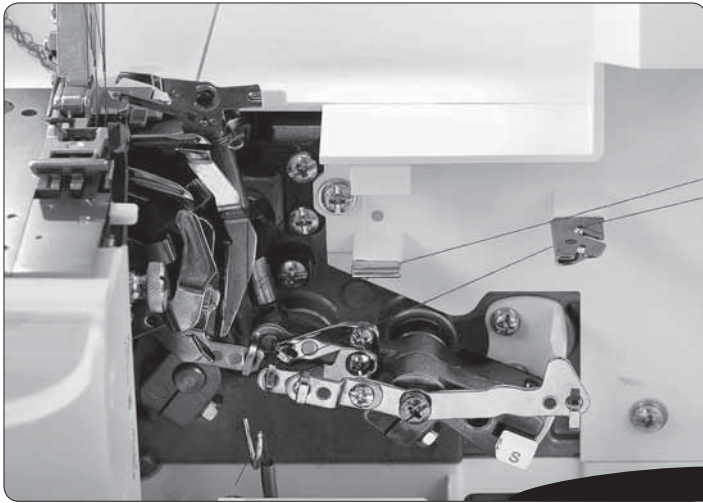
## CHANGE TO COVERSTITCH TABLE C

For Coverstitch and Chainstitch sewing the Coverstitch table C should be used.

- Open the front cover.
- Lift the hook (A) to release the cutter cover and pull it towards you.
- Insert the Coverstitch table by fitting the two front pins (B) into the holes (C) and make sure the hook (D) clicks into place.







# 2

## THREAD YOUR HUSKYLOCK™ s21

### GENERAL THREADING INFORMATION

A color coded diagram is located inside the front cover for quick reference. Always start threading the loopers and then the needles from right to left.

See the table below for recommendations on what needles and thread to use for different fabric weights.

*Tip: Your new machine is threaded to sew a standard overlock. Tie your own threads to these threads and carefully pull them through the machine, to easily thread your new overlock machine the first time.*

*Note: If the lower looper should come unthreaded, do the following:*

1. *Unthread the needle(s)*
2. *Thread the lower looper*
3. *Thread the needle(s)*

#### LIGHT FABRIC

(voil, crepe, georgette, etc.)



*Needles*

#12

*Thread*

Polyester  
(spun filament)

Twisted thread  
#60/2 - #100/3

Twisted thread  
#80/3 - #100/3

#### MEDIUM FABRIC

(cotton, chino, wool, satin etc.)



*Needles*

#14

*Thread*

Twisted thread  
#60/2

#### HEAVY FABRIC

(denim, jersey, tweed etc.)



*Needles*

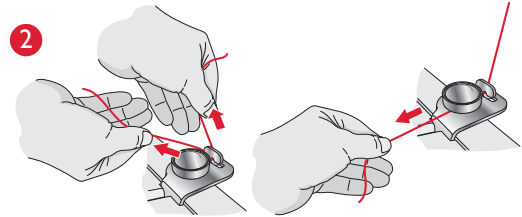
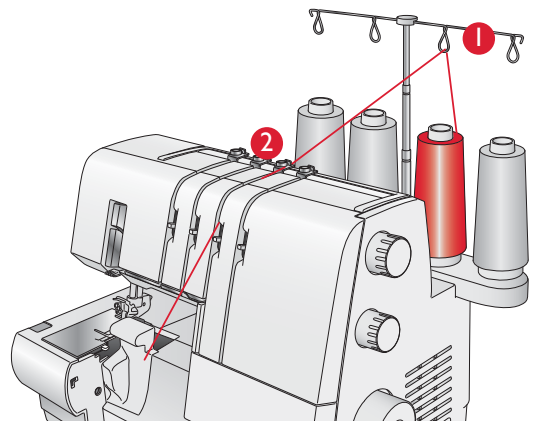
#14

*Thread*

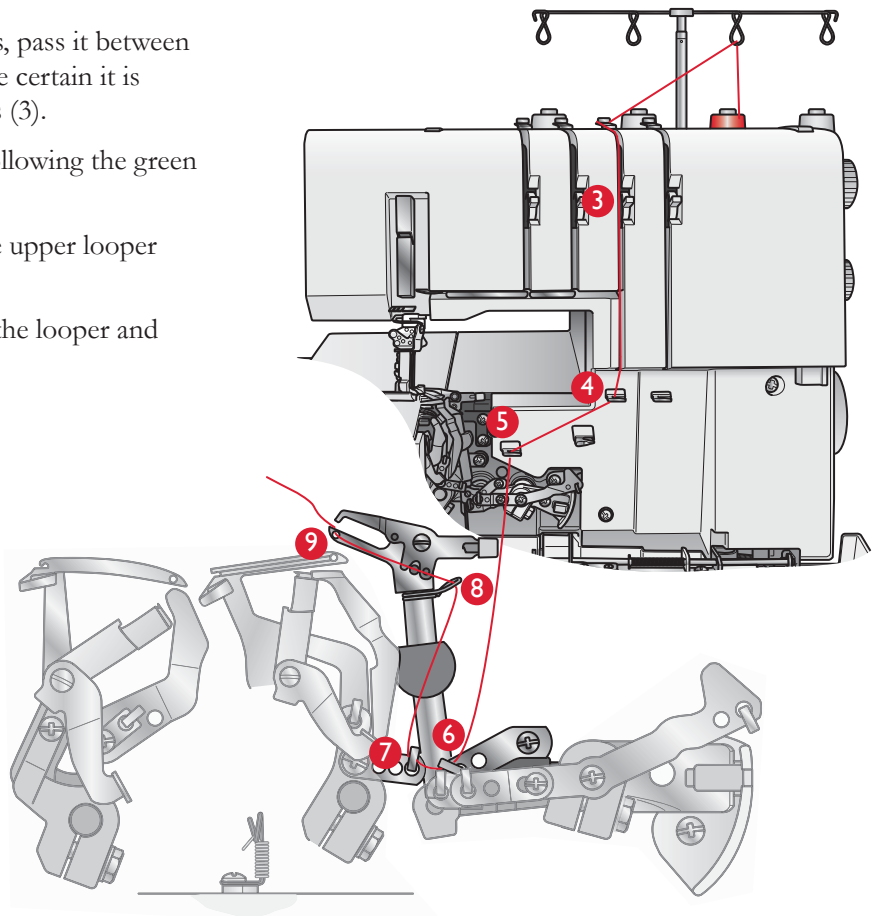
Twisted thread  
#50/2 - #60/2

## THREAD UPPER LOOPER (GREEN)

- Raise the presser foot to release tension discs.
- Pass the thread from back to front through the thread guide on the thread stand (1).
- Thread the top cover thread guide by pulling the thread towards the left until it slips under the guide. Then pull the thread along the right side of the button as illustrated (2).

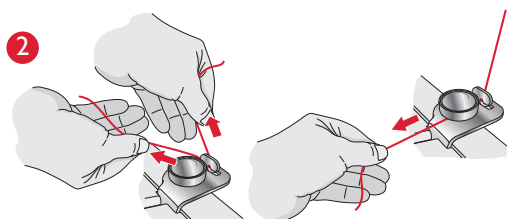
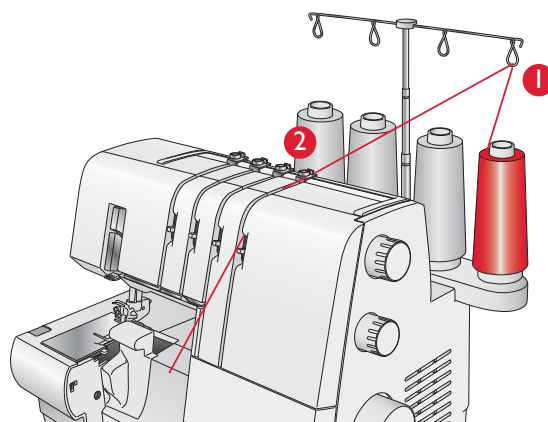


- While holding the thread with both hands, pass it between the tension discs and pull it down to make certain it is properly placed between the tension discs (3).
- Thread the looper area of the machine following the green color coded thread guides (4-9).
- Use the tweezers to thread the hole in the upper looper from front to back (9).
- Pull about 10 cm (4") of thread through the looper and place it to the back of the stitch plate.

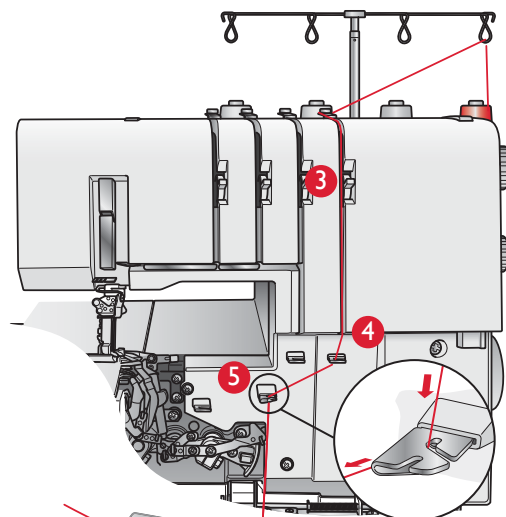


## THREAD LOWER LOOPER (BLUE)

- Raise the presser foot to release tension discs.
- Pass the thread from back to front through the thread guide on the thread stand (1).
- Thread the top cover thread guide by pulling the thread towards the left until it slips under the guide. Then pull the thread along the right side of the button as illustrated (2).



- While holding the thread with both hands, pass it between the tension discs and pull it down to make certain it is properly placed between the tension discs (3).
- Turn the hand wheel toward you until the looper extends out 10 mm (3/8") from the needle plate edge.
- Thread the looper area of the machine following the blue color coded thread guides (4-10).
- Place the thread through threading guide (4).
- Place the thread through the rear slot of threading guide (5).
- Continue threading through guides 6-8.



- To thread the last thread guide (9), pull about 10 cm (4") of thread through guide 8.

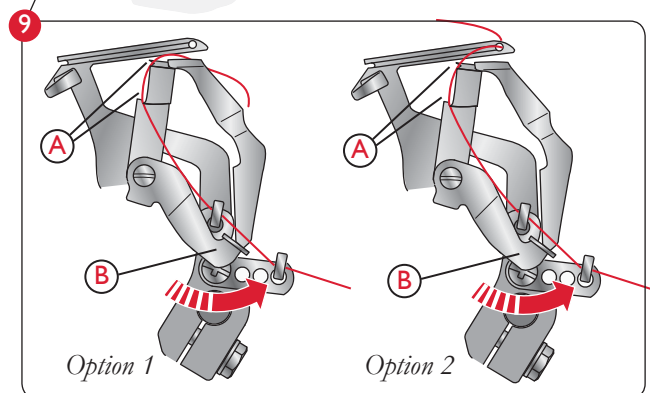
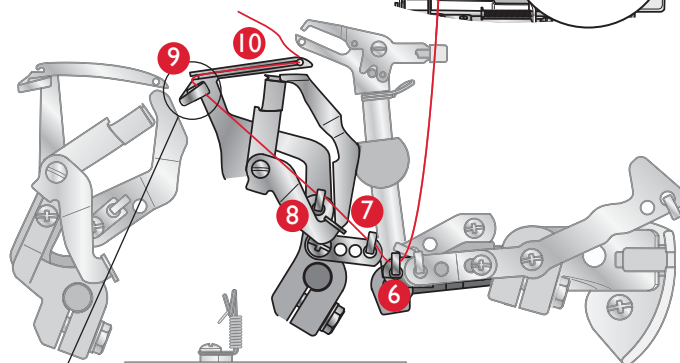
*Hint: Moving the stitch finger lever to R makes the threading easier. Remember to set it back to N before starting to sew.*

### Option 1

Place the thread into the "V" cutouts (A) on threader lever. Pull the threader lever (B) up into place and back to snap the thread into thread guide 9. Thread the looper eye (10) from front to back using the tweezers.

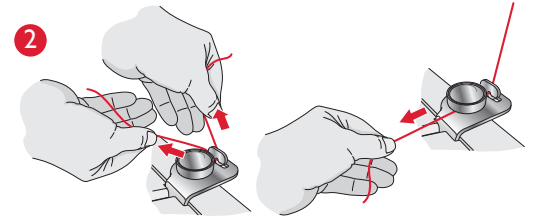
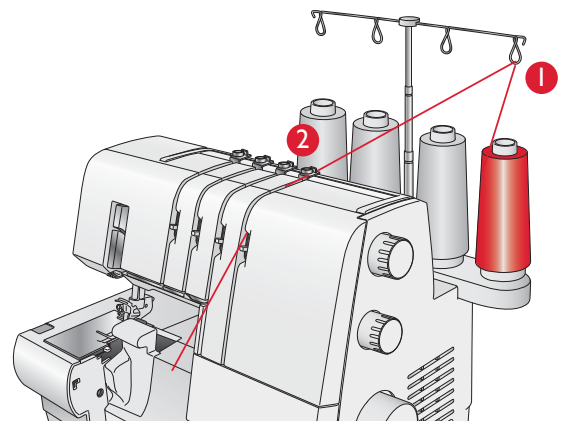
### Option 2

Thread the looper eye (10) from front to back using the tweezers. Make sure the thread runs into the "V" cutouts (A) on threader lever. Firmly hold the thread tail with your left hand and pull the threader lever (B) up into place and back to snap the thread into thread guide 9.

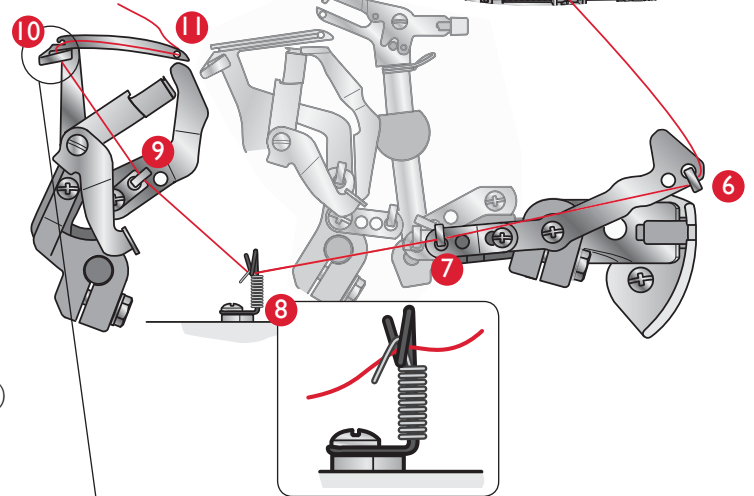
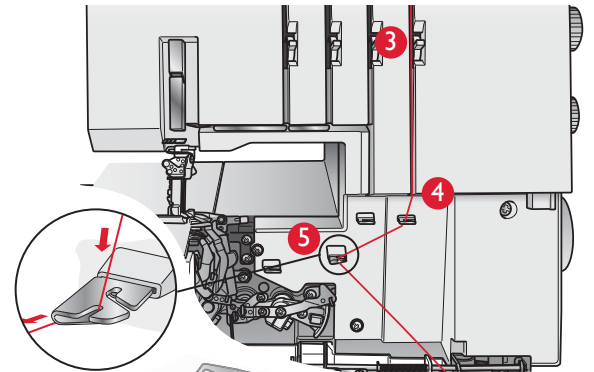


## THREAD CHAINSTITCH/ COVERSTITCH LOOPER (NAVY BLUE)

- Raise the presser foot to release tension discs.
- Pass the thread from back to front through the thread guide on the thread stand (1).
- Thread the top cover thread guide by pulling the thread towards the left until it slips under the guide. Then pull the thread along the right side of the button as illustrated (2).



- While holding the thread with both hands, pass it between the tension discs and pull it down to make certain it is properly placed between the tension discs (3).
- Turn the hand wheel toward you until the Chainstitch looper is at the far right.
- Thread the looper area of the machine following the blue color coded thread guides (4-11).
- Place the thread through threading guide (4).
- Place the thread through the front slot of threading guide (5).
- Continue threading through guides 6-7.



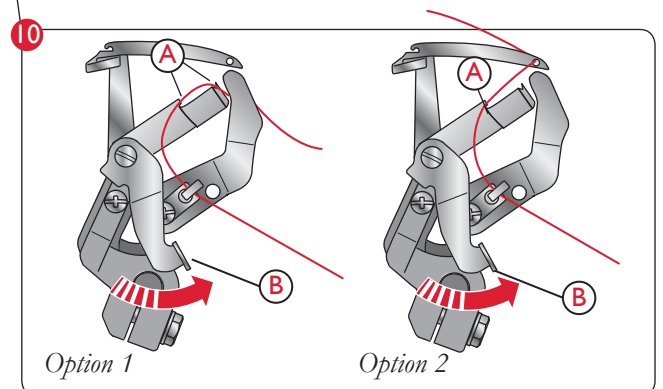
- Thread the Chainstitch thread guide (8) by holding the thread in front of the thread guide pin and pulling the thread backward and up, until the thread rests inside the thread guide loop and under the spring.
- To thread the last thread guide (10), pull about 10 cm (4") of thread through guide 9.

### Option 1

Place the thread into the “V” cutouts (A) on threader lever. Pull the threader lever (B) up into place and back to snap the thread into thread guide 10. Thread the looper eye (11) from front to back using the tweezers.

### Option 2

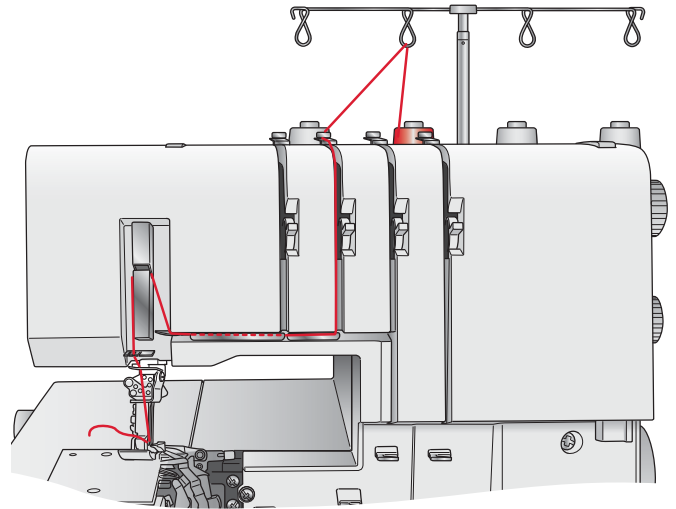
Thread the looper eye (11) from front to back using the tweezers. Make sure the thread runs into the left “V” cutout (A) on threader lever. Firmly hold the thread tail with your left hand and pull the threader lever (B) up into place and back to snap the thread into thread guide 10.



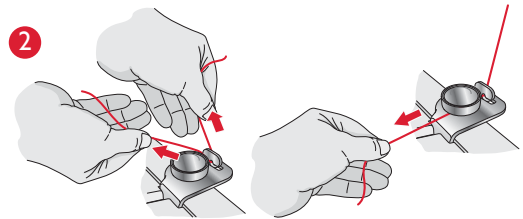
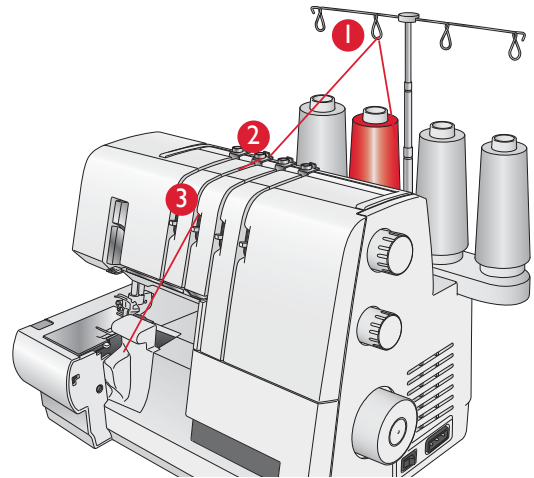
## THREAD RIGHT NEEDLE (RED)

*(B on needle clamp)*

- Raise the presser foot to release tension discs.

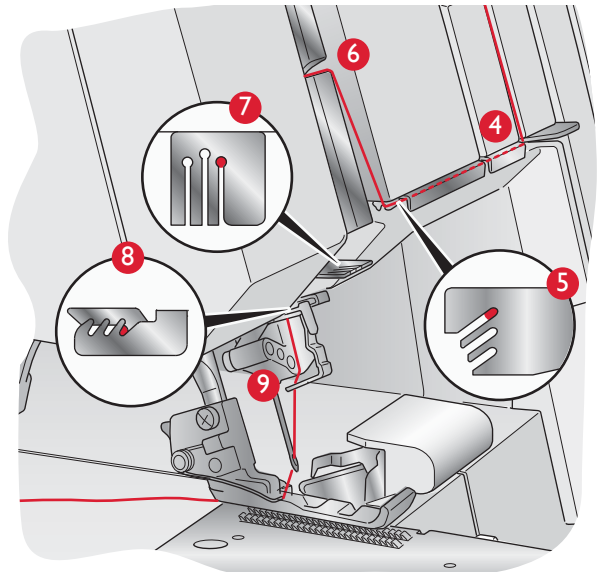


- Pass the thread from back to front through the thread guide on the thread stand (1).
- Thread the top cover thread guide by pulling the thread towards the left until it slips under the guide. Then pull the thread along the right side of the button as illustrated (2).
- While holding the thread with both hands, pass it between the tension discs and pull it down to make certain it is properly placed between the tension discs (3).



*Continue to thread points (4-9).*

- Slip the thread into the rear slot on the thread guide (5) and into the slot on the take-up lever cover (6). Then slip the thread into the right slot on the thread guides (7) and (8).
- Before threading the eye of the needle, make sure thread is behind the thread guide located on the bottom of the needle clamp (9).
- Thread the eye of the needle. Use the needle threader (page 23) to make needle eye threading easier.
- Pull about 10 cm (4") of thread through needle eye to hang free.
- Place the thread to the back, under the presser foot.

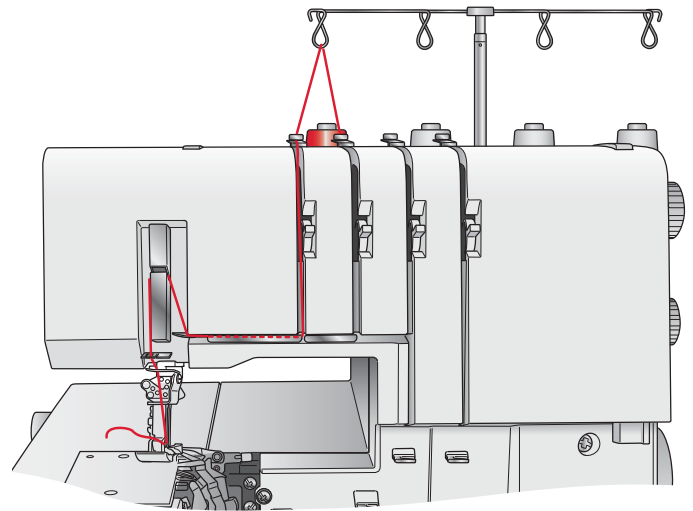




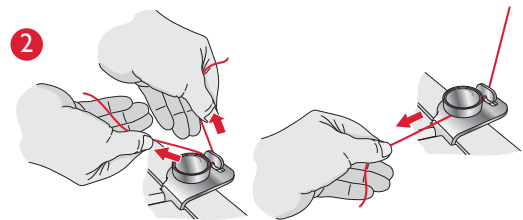
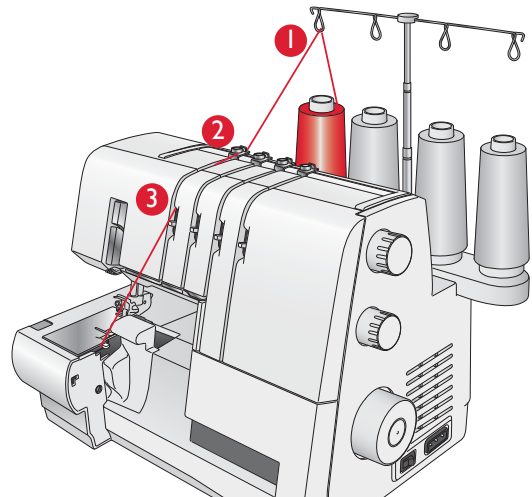
## THREAD LEFT NEEDLE (YELLOW)

*(A on needle clamp)*

- Raise the presser foot to release tension discs.

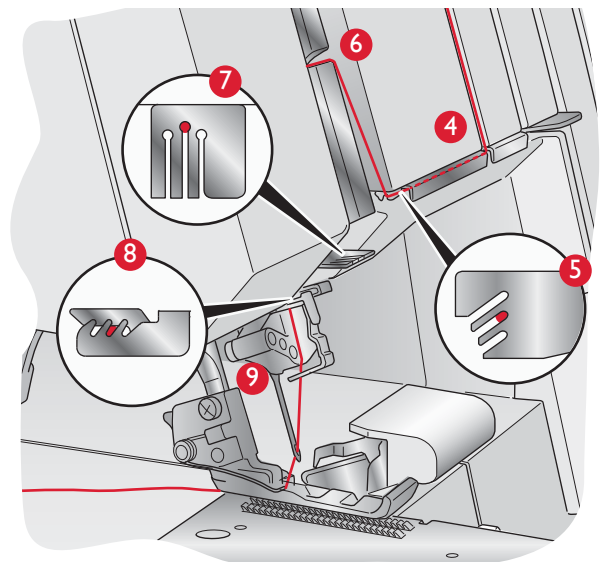


- Pass the thread from back to front through the thread guide on the thread stand (1).
- Thread the top cover thread guide by pulling the thread towards the left until it slips under the guide. Then pull the thread along the right side of the button as illustrated (2).
- While holding the thread with both hands, pass it between the tension discs and pull it down to make certain it is properly placed between the tension discs (3).



*Continue to thread points (4-9).*

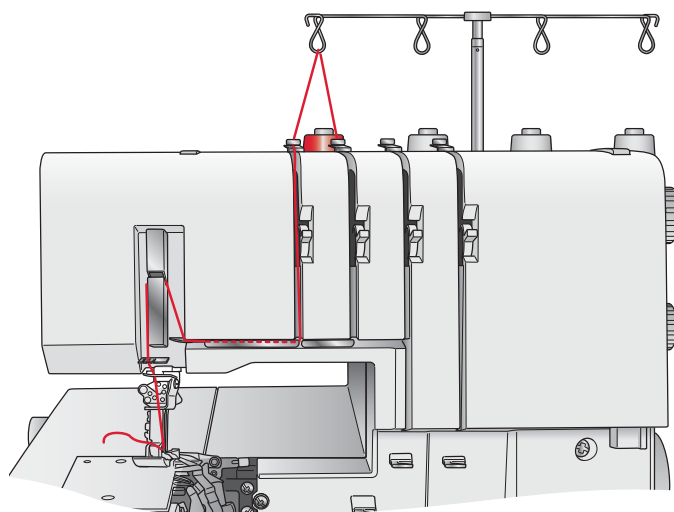
- Slip the thread into the middle slot on the thread guide (5) and into the slot on the take-up lever cover (6). Then slip the thread into the middle slot on the thread guides (7) and (8).
- Before threading the eye of the needle, make sure thread is behind the thread guide located on the bottom of the needle clamp (9).
- Thread the eye of the needle. Use the needle threader (page 23) to make needle eye threading easier.
- Pull about 10 cm (4") of thread through needle eye to hang free.
- Place the thread to the back, under the presser foot.



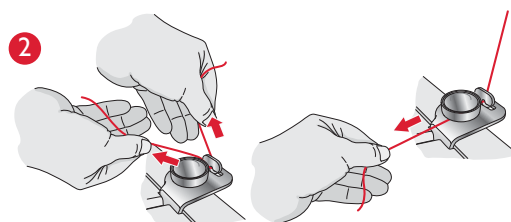
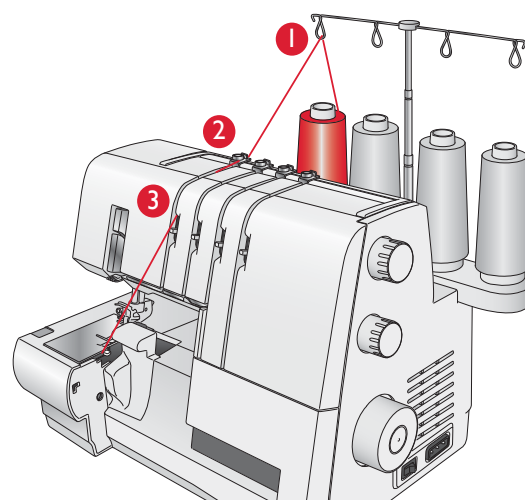
## THREAD LEFT/CHAINSTITCH NEEDLE (YELLOW)

*(D on needle clamp)*

- Raise the presser foot to release tension discs.

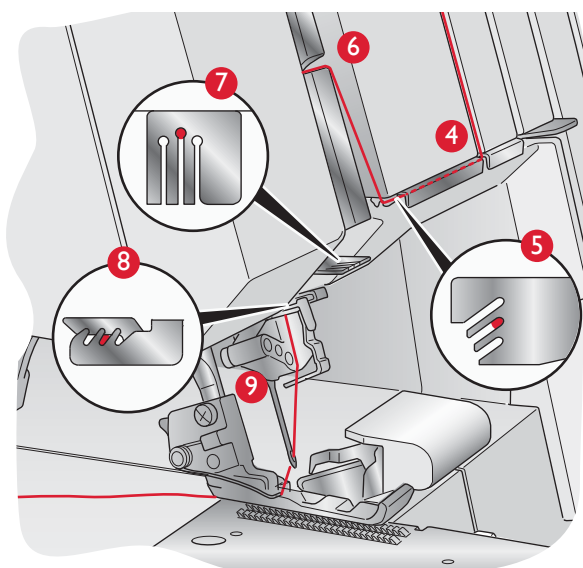


- Pass the thread from back to front through the thread guide on the thread stand (1).
- Thread the top cover thread guide by pulling the thread towards the left until it slips under the guide. Then pull the thread along the right side of the button as illustrated (2).
- While holding the thread with both hands, pass it between the tension discs and pull it down to make certain it is properly placed between the tension discs (3).



*Continue to thread points (4-9).*

- Slip the thread into the middle slot on the thread guide (5) and into the slot on the take-up lever cover (6). Then slip the thread into the middle slot on the thread guides (7) and (8).
- Before threading the eye of the needle, make sure thread is in front of thread guide located on the bottom of the needle clamp (9).
- Thread the eye of the needle. Use the needle threader (page 23) to make needle eye threading easier.
- Pull about 10 cm (4") of thread through needle eye to hang free.
- Place the thread to the back, under the presser foot.



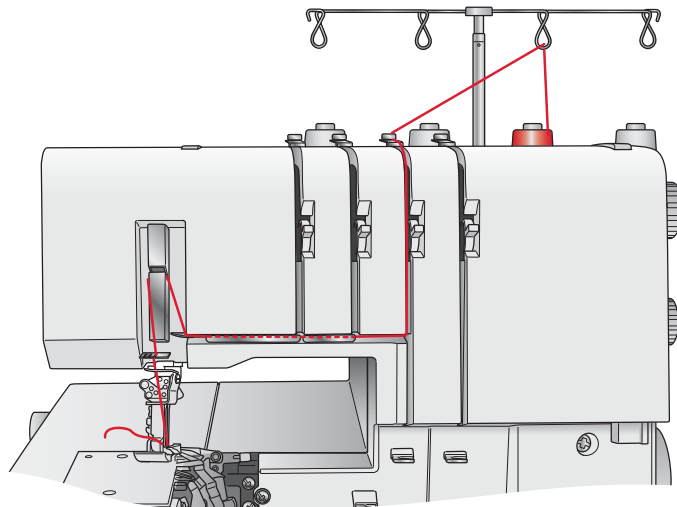
## THREAD COVERSTITCH NEEDLES

Thread the needles in following order: right (E) - middle (D) - left (C)

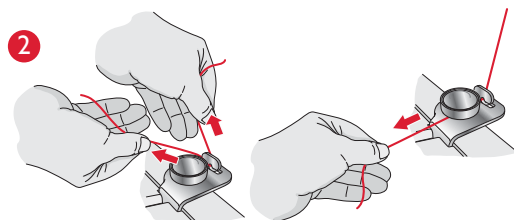
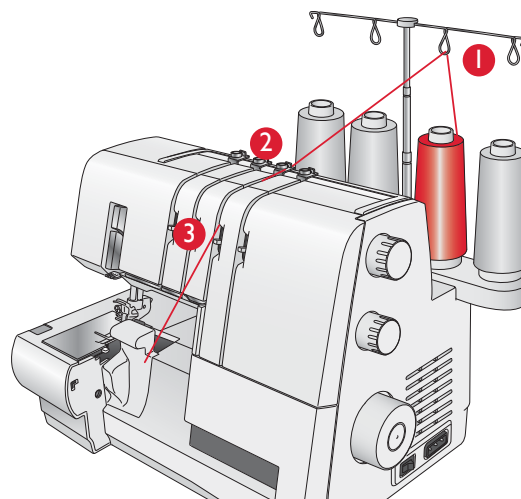
### Thread Right Coverstitch Needle (green)

(E on the needle clamp)

- Raise the presser foot to release tension discs.

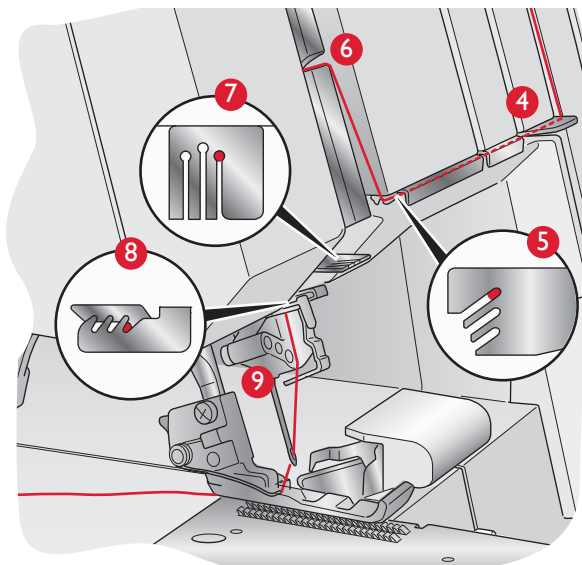


- Pass the thread from back to front through the thread guide on the thread stand (1).
- Thread the top cover thread guide by pulling the thread towards the left until it slips under the guide. Then pull the thread along the right side of the button as illustrated (2).
- While holding the thread with both hands, pass it between the tension discs and pull it down, to make certain it is properly placed between the tension discs (3).



Continue to thread points (4-9).

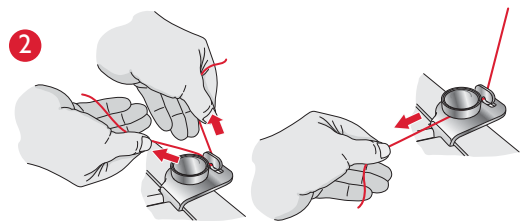
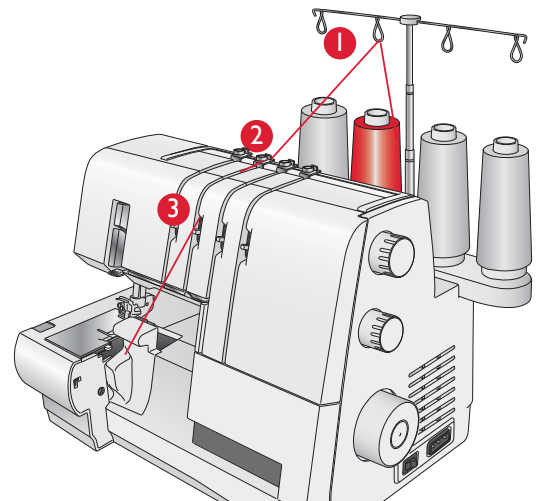
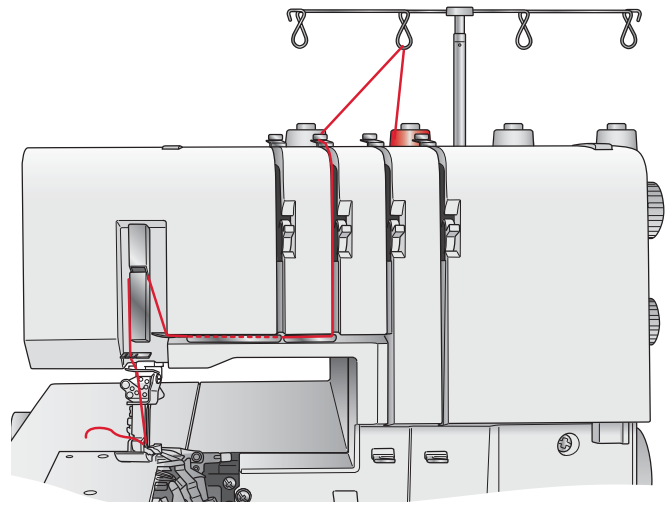
- Slip the thread into the rear slot on the thread guide (5) and into the slot on the take-up lever cover (6). Then slip the thread into the right slot on the thread guides (7) and (8).
- Before threading the eye of the needle, make sure thread is in front of thread guide located on the bottom of the needle clamp (9).
- Thread the eye of the needle. Use the needle threader (page 23) to make the threading easier.
- Pull about 10 cm (4") of thread through needle eye to hang free.
- Place the thread to the back, under the presser foot.



## Thread Middle Coverstitch / Chainstitch Needle (red)

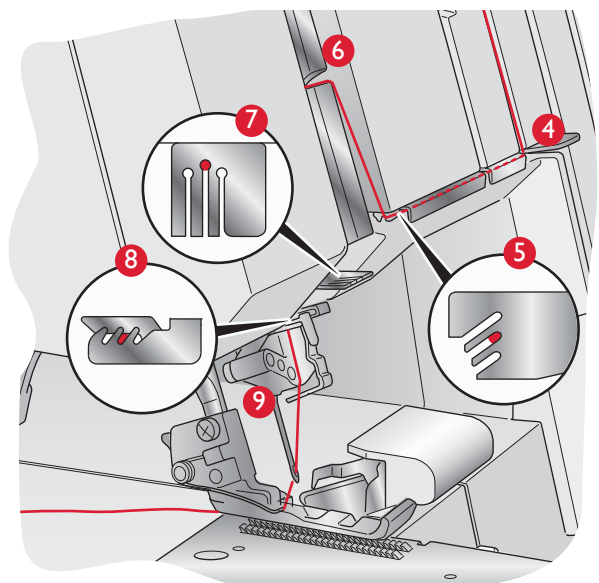
*(D on the needle clamp)*

- Raise the presser foot to release tension discs.
- Pass the thread from back to front through the thread guide on the thread stand (1).
- Thread the top cover thread guide by pulling the thread towards the left until it slips under the guide. Then pull the thread along the right side of the button as illustrated (2).
- While holding the thread with both hands, pass it between the tension discs and pull it down to make certain it is properly placed between the tension discs (3).



*Continue to thread points (4-9).*

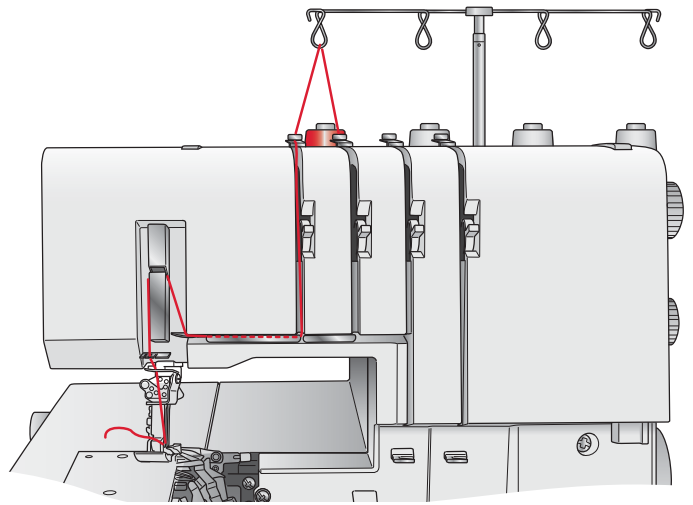
- Slip the thread into the middle slot on the thread guide (5) and into the slot on take-up lever cover (6). Then slip the thread into the middle slot on the thread guides (7) and (8).
- Before threading the eye of the needle, make sure thread is in front of the thread guide located on the bottom of the needle clamp (9).
- Thread the eye of the left needle. Use the needle threader (page 23) to make the threading easier.
- Pull about 10 cm (4") of thread through needle eye to hang free.
- Place the thread to the back, under the presser foot.



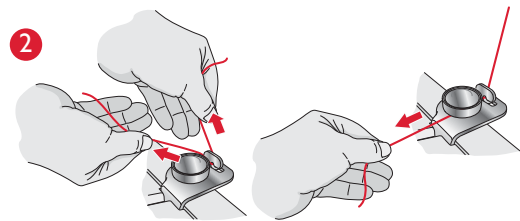
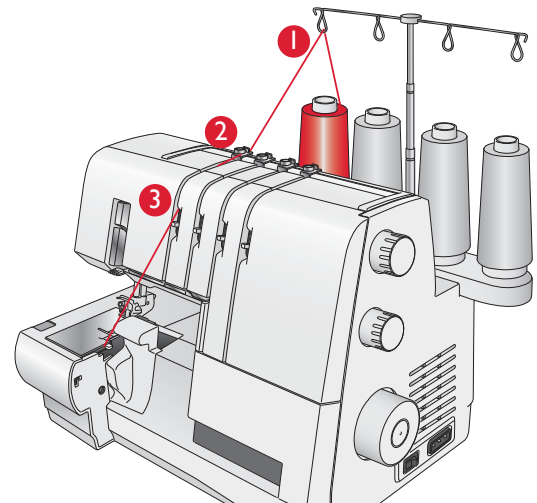
## Thread Coverstitch Left Needle (yellow)

(C on needle clamp)

- Raise the presser foot to release tension discs.

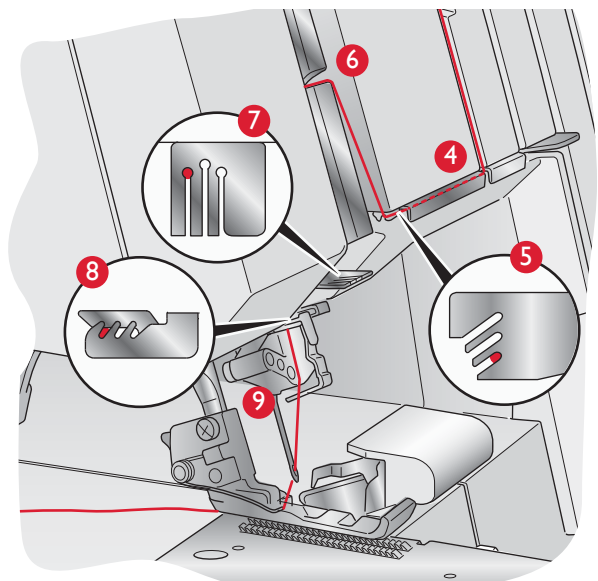


- Pass the thread from back to front through the thread guide on the thread stand (1).
- Thread the top cover thread guide by pulling the thread towards the left until it slips under the guide. Then pull the thread along the right side of the button as illustrated (2).
- While holding the thread with both hands, pass it between the tension discs and pull it down to make certain it is properly placed between the tension discs (3).



Continue to thread points (4-9).

- Slip the thread into the front slot on the thread guide (5) and into the slot on the take-up lever cover (6). Then slip the thread into the left slot on the thread guides (7) and (8).
- Before threading the eye of the needle, make sure thread is in front of thread guide located on the bottom of the needle clamp (9).
- Thread the eye of the left needle. Use the needle threader (page 23) to make the threading easier.
- Pull about 10 cm (4") of thread through needle eye to hang free.
- Place the thread to the back, under the presser foot.





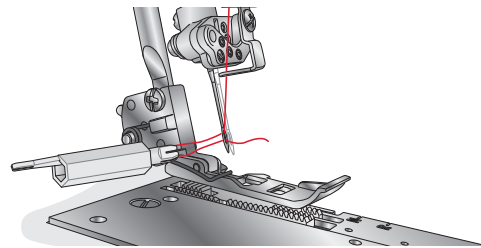
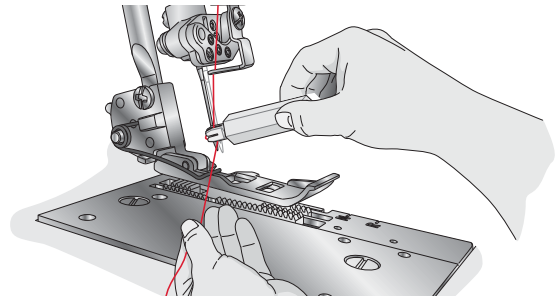
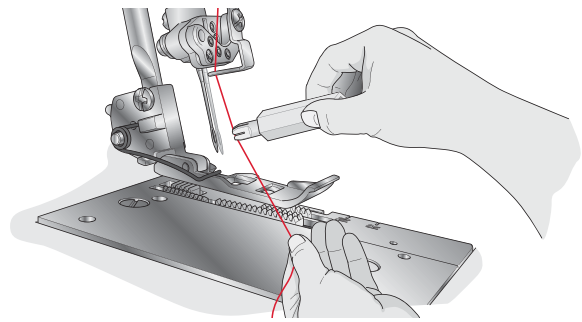
## NEEDLE THREADER

To make threading the needles easier, use the needle threader included with the accessories.

Turn the handwheel so the needles are in their highest position and lower the presser foot. Make sure one of the rectangular markings of the needle threader is pointing upwards. Place the thread from right to left in the notch on the tip of the needle threader.

Hold the needle threader against the needle. Move the needle threader down to the needle eye and press gently against the needle, causing a small metal pin to push the thread through the needle eye and form a thread loop.

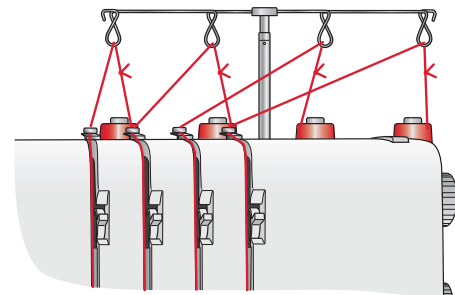
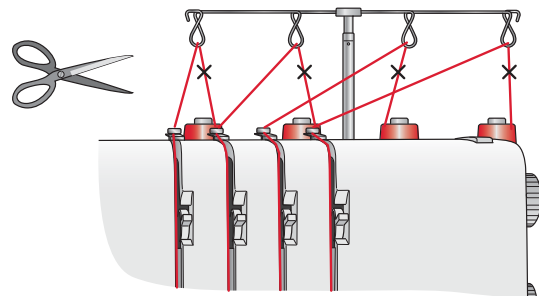
Use the needle threader to pull the thread loop out behind the needle.



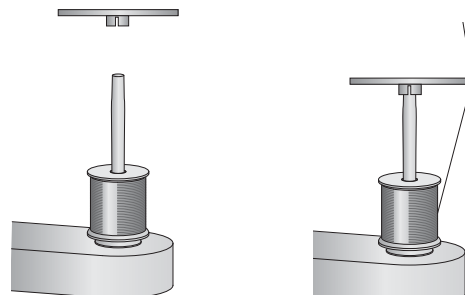
## CHANGE THREAD

The following is an easy way to change threads:

1. Cut the thread in use near the spool, behind the guides on the telescopic thread stand.
2. Remove the thread spool and place the new thread on the spool pin.
3. Tie the end of the new thread to the end of the old thread. Cut the thread tails to 2-3 cm (1") in length and firmly pull both threads to test knot security.
4. Raise the presser foot to release the tension discs.
5. Pull the threads through the machine one at a time until the knots are in front of the needle. If the threads do not pull easily, check for tangles on thread guides or looping under thread stand.
6. Cut the thread behind the knot and thread the needle.



**Note:** When using standard thread spools, place the thread unreeling disc as shown to prevent the thread from getting caught on the edge of the spool.







# 3








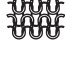


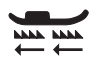


## STITCHES & SEWING TECHNIQUES





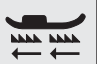


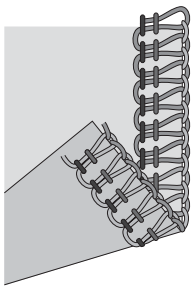





### STITCH OVERVIEW

The settings shown in the table below are our recommendations based on normal conditions. The correct tension is set automatically when using the Stitch Selection Dial. It may be necessary to adjust the thread tension according to the stitch, type of fabric and thread you are using. For best results make tension adjustments in small steps of no greater than half a number at a time. Always test sew on a sample of your fabric before sewing on your garment.

Different stitches are obtained by combining the stitch selection dial with different needle positions, threading methods, and the use of the 2-thread converter.

#### Icon Explanation Sheet

	Woven light <i>Chiffon, veil, organza, batiste, silk, etc.</i>		Stitch selection dial	<b>N/R</b>	Stitch finger setting
	Woven medium <i>Cotton, chino, wool, satin, etc.</i>		Needle position		2-thread converter
	Woven heavy <i>Denim, canvas, terrycloth, etc.</i>		Stitch length	<b>S/C</b>	Setting for upper cutter, clutch lever and use of cutter cover S or Coverstitch table C
	Stretch light <i>Charmeuse, nylon, tricot, single knit jerseys, etc.</i>		Cutting width		
	Stretch medium <i>Double knit, velour, swimwear, etc.</i>		Differential feed		Indicates threading path for each stitch. Y = yellow, R = red, G = green, B = blue
	Stretch heavy <i>Sweater knits, fleece, etc.</i>				

STITCH	FABRIC						N/R		S/C				
										Y	R	G	B
		A	A and B	N	N	N	N	No	S	•	•	•	•
													
													
													
													

#### 4-THREAD OVERLOCK

For all seams where stretch or give is needed, such as neck edges, side seams, sleeves, etc. Specialty techniques can be done with a 4-thread overlock seam such as gathering, applying piping with the optional piping foot and elastic with the optional elastic foot.

STITCH	FABRIC					STITCH FINGER		S/C					
									Y	R	G	B	
		I	A and D	N	N	N	N	Yes	S	•	•	1)	2)
										<p>1) Follow light blue threading path in the looper area.</p> <p>2) Follow navy blue threading path in the looper area.</p>			

#### 4-THREAD SAFETY STITCH, WIDE

For joining with reinforced stitch and overcasting in one step. Converter required.

		I	B and D	N	N	N	N	Yes	S	•	•	1)	2)
										<p>1) Follow light blue threading path in the looper area.</p> <p>2) Follow navy blue threading path in the looper area.</p>			

#### 4-THREAD SAFETY STITCH, NARROW

For joining with reinforced stitch and overcasting in one step. Converter required.

		B	A	N	N	N	N	No	S	•			

#### 3-THREAD OVERLOCK WIDE

For sewing two layers of stretchy fabric or overcasting a single layer of light to medium fabric. Use heavier threads in the loopers to create decorative braids. (Hold your hand behind the presser foot and gently and slowly pull the thread chain as you sew, trying to keep the same tension as it has been sewn onto fabric.)

		A	B	N	N	N	N	No	S		•	•	•

#### 3-THREAD OVERLOCK, NARROW

1-needle 3-thread overlock is used for overlocking and seaming on common fabrics. A 4 mm overlock is obtained by using the right needle position.



STITCH	FABRIC						STITCH FINGER		S/C				
										Y	R	G	B
		A	B	1.5	N	N	R	No	S		•	•	•
			Not recommended										
			B	1.5	N	N	R	No	S		•	•	•
			Not recommended										
			Not recommended										
			Not recommended										

### 3-THREAD NARROW EDGE

For sewing two layers of stretchy fabric or overcasting a single layer of light fabric. Popular for creating decorative tucks. Use decorative threads in the loopers and regular thread in the needle. Use different colors in the loopers to get an interesting effect.

		F	A	2	N	N	N	No	S	•	•	•	

### 3-THREAD FLATLOCK, WIDE *(page 33)*

For sewing stretchy fabrics together with a decorative effect either with the flatlock side or the ladder stitch side. Create varying effects by threading the loopers with decorative thread.

		F	B	2	N	N	N	No	S	•	•	•	

### 3-THREAD FLATLOCK, NARROW *(page 33)*

For sewing stretchy fabrics together with a decorative effect either with the flatlock side or the ladder stitch side. Create varying effects by threading the loopers with decorative thread.

		G	A and B	2	N	N	N	Yes	S	•	•	•	

### 3-THREAD STRETCH OVERLOCK

For sewing extra stretchy fabrics. Add additional stretch by using a stretchy type thread in the loopers. Change the thread tension accordingly.



STITCH	FABRIC						STITCH FINGER		S/C					
										Y	R	G	B	
		C	B	1	N	N	R	No	S		•	•	•	
			Not recommended											
			B	1	N	N	R	No	S		•	•	•	
			Not recommended											
			Not recommended											
			Not recommended											

### 3-THREAD ROLLED EDGE *(page 32)*

For edging lightweight fabrics. It gives a nice finish on silky scarves, pillow ruffles and napkins. For a beautiful rolled edge, thread the looper with decorative thread and the needle and lower looper with lightweight regular thread.

		E	A	2	N	N	N	Yes	S	•			•	

### 2-THREAD OVERLOCK, WIDE

For overcasting a single layer of light to medium weight fabrics. Converter required.

		E	B	2	N	N	N	Yes	S		•		•	

### 2-THREAD OVERLOCK, NARROW

For overcasting a single layer of light to medium weight fabrics. Converter required.

		F	B	2	N	N	R	Yes	S		•		•	
			Not recommended											
			B	2	N	N	R	Yes	S		•		•	
			Not recommended											
			Not recommended											
			Not recommended											

### 2-THREAD NARROW EDGE

Use for edging lightweight fabrics. Converter required.

STITCH	FABRIC						STITCH FINGER		S/C				
										Y	R	G	B
		E	A	2	N	N	N	Yes	S	•			•

**2-THREAD FLATLOCK, WIDE** (page 33)

For sewing stretchy fabrics together with a decorative effect either with the flatlock side or the ladder stitch side. Create varying effects by threading the loopers with decorative thread. Converter required.

		G	A	2	N	N	N	Yes	S	•			•

**2-THREAD WRAPPED OVERLOCK, WIDE**

Decorative finish for garments and homedec. Converter required.

		D	B	2	N	N	N	Yes	S	•			•

**2-THREAD WRAPPED OVERLOCK, NARROW**

Gives a beautiful finish to lightweight fabrics. Use transparent threads with this stitch to get an almost invisible edge, this gives a very beautiful look on finer fabrics. Converter required.

		B	B	N	N	N	R	Yes	S	•			•
			Not recommended										
			B	N	N	N	R	Yes	S	•			•
			Not recommended										

**2-THREAD ROLLED EDGE** (page 32)

For edging lightweight fabrics. It gives a nice finish on silky scarves, pillow ruffles and napkins. Thread the looper with a decorative lightweight thread, such as 40 weight rayon for a beautiful satin edge. Converter required.

STITCH	FABRIC						STITCH FINGER		S/C					
										Y	R	G	B	
		J	C, D and E	N-4	-	N	R	No	C		•	•	•	1)
											<i>1) Follow navy blue threading path in the looper area.</i>			

**COVERSTITCH, TRIPLE** (page 32)

For hems on stretch fabrics and for decorative effects on all kind of fabrics. Use decorative thread in looper for embellishment.

		H	C and E	N-4	-	N	R	No	C		•		•	1)
											<i>1) Follow navy blue threading path in the looper area.</i>			

**COVERSTITCH, WIDE** (page 32)

For hems on stretch fabrics and for decorative effects on all kind of fabrics. Use decorative thread in looper for embellishment.

		K	C and D	N-4	-	N	R	No	C		•	•		1)
											<i>1) Follow navy blue threading path in the looper area.</i>			

**COVERSTITCH, NARROW** (page 32)

For hems on stretch fabrics and for decorative effects on all kind of fabrics. Use decorative thread in looper for embellishment.

		D	D	N	-	N	N	No	C			•		1)
											<i>1) Follow navy blue threading path in the looper area.</i>			

**CHAINSTITCH** (page 34)

For all types of sewing such as construction, hemming and piecing quilts. Baste with ease for construction as it is an easily unraveled stitch, and never run out of bobbin thread. Use decorative thread in looper for embellishment.

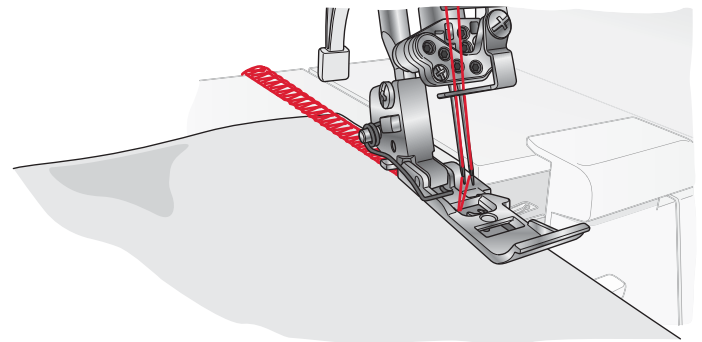
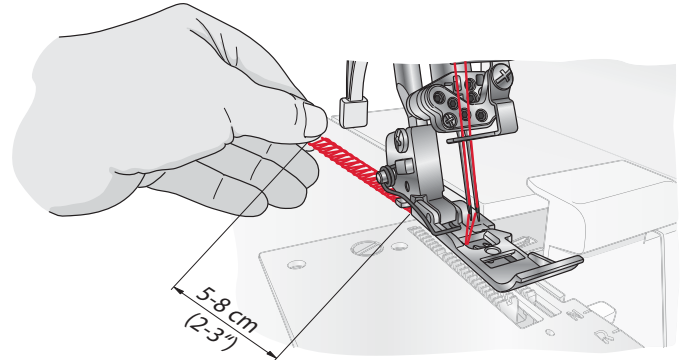
## START SEWING

### Pin Placement

When securing the fabric pieces using pins, insert straight pins to the left of the presser foot. The pins will be easy to remove and are away from the cutters.

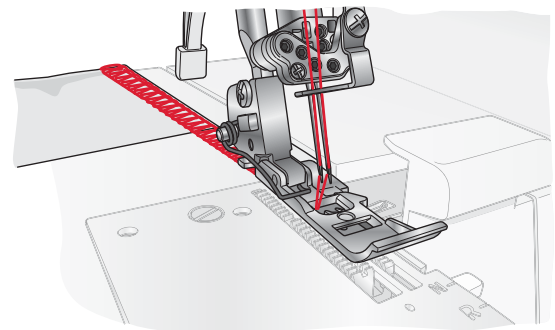
*Warning: Sewing over pins will damage and might destroy the cutting edge of the cutters.*

- When the machine is completely threaded, close the front cover and bring all of the threads over the stitch plate and slightly to the left under the presser foot.
- Ensure that the upper blade moves against the lower blade correctly by turning the handwheel slowly toward you. If the blades are not moving correctly, check if there are any fabric or waste thread stuck between the blades.
- Hold the threads and pull them slightly.
- Turn the hand wheel toward you two to three complete turns to start making a thread chain. Check if all threads wind around the stitch finger of the stitch plate. If the threads do not wind around the finger, make sure each thread is threaded correctly.
- Continue holding the thread chain while pressing the foot control. Sew until the chain is 5-8 cm (2-3") in length.
- Place fabric under the front of the presser foot and sew a test sample. Guide the fabric slightly with your left hand while sewing. Do not pull on the fabric as this may deflect the needle, causing it to break.



### Chain Off

- When you reach the end of the fabric, continue sewing while drawing the finished fabric gently backwards and to the left. This is called chaining off. It prevents the threads from coming undone and prepares for the next sewing task.
- Cut off the thread chain 2-5 cm (1-2") behind the presser foot using the thread cutter on the left side of the machine. Pull the threads around the thread cutter from the back, then toward you.



*Tip: When you have re-threaded the machine, always chain off and test sew a sample to test thread tension.*

*Tip: The presser foot on this machine has marks to indicate the needle position. Use this as a guide when sewing.*

## ROLLED EDGE SEWING

The rolled edge stitch is appropriate for lightweight fabrics such as lawn, voile, organdy, crepe, etc. The rolled edge is achieved by adjusting the thread tension to make the fabric edge roll under the fabric while overlocking. Adjust the thread tension to change the degree of rolling. To sew a rolled edge you need to set the stitch finger lever to R.

*Tip: For a beautiful rolled edge, thread the upper looper with a decorative thread and the needle and lower looper with lightweight regular thread.*

*Note: Make a thread chain and test sew on a sample of your fabric before sewing on your garment. Hold the thread chain before sewing to keep it from curling into the seam.*

*Note: The minimum overlock stitch width that can be obtained for rolled edging is approximately 1.5 mm.*

## COVERSTITCH SEWING

The Coverstitch can be used for covering, binding or top-stitching necklines and for hemming the bottom of T-shirts and sweatsuits, etc. in addition to flat joining seams (plain seaming). The Coverstitch is most suitable for stretchy fabrics. It can also be used for woven fabrics.

### Machine Set Up

1. Disengage (C) the movable upper cutter (page 10).
2. Set the stitch finger lever to R (page 12).
3. If inserted, remove needle B and needle A.
4. Install needles C, D and/or E depending on desired Coverstitch.
5. Disengage the upper looper (page 11).
6. Remove cutter cover S and install Coverstitch table C (page 12). The graduations on the Coverstitch table indicate the distance, in cm and inches, from Coverstitch middle needle. Use it as a guide when positioning the fabric edge.
7. Close front cover.

### Securing the Coverstitch Seam End

Chaining off is not possible after sewing Coverstitch because it causes the seam to unravel when the looper thread is pulled out at the end of sewing. Therefore, secure the seam end in the following manner.

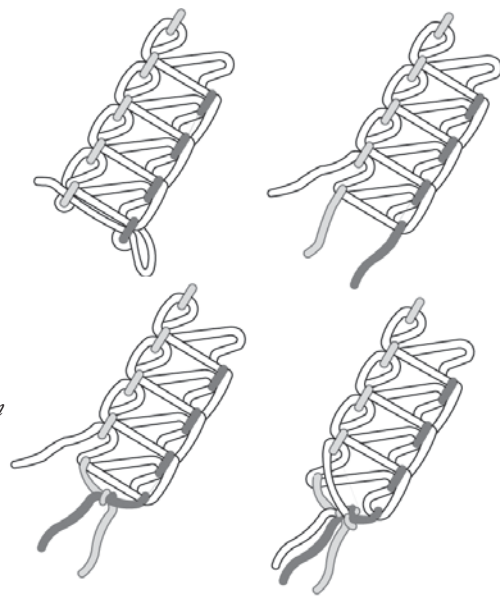
#### *When Sewing through to the Edge of Fabric*

1. Knot the needle threads (2 or 3 threads) together first, as shown on the illustration.
2. Tie these threads with the looper threads.
3. Cut extra threads.

#### *When Sewing is Stopped Halfway*

1. Pull out the needle threads (2 or 3 threads) on the underside of the fabric and knot the threads in the same manner as described above.
2. Cut extra threads.

*Note: Normally, the seams at the start of sewing do not unravel, but it is wise to secure the seam end following the same steps as described when sewing through to the edge of the fabric.*





## FLATLOCK SEWING

A flatlock stitch is made by sewing the seam and pulling the fabric apart to flatten the seam. The flatlock stitch can be used both as a decorative construction stitch, sewing two pieces together (Standard flatlock stitch), or for embellishment on only one piece of fabric (Ornamental flatlock stitch).

There are two ways to sew a flatlock stitch. Either with the wrong sides of the fabric together to create a decorative look, or with the right sides together, to create a ladder stitch.

### Standard Flatlock Stitch

1. Use the left or the right needle.
2. *For 2-thread flatlock:* Engage the 2-thread converter (page 11). Thread the lower looper and the left (A) or right (B) needle.  
*For 3-thread flatlock:* Thread the lower and upper looper and the left (A) or right (B) needle.
3. Set the stitch selector dial to E for 2-thread flatlock and to F for 3-thread flatlock.
4. Place the wrong sides of the two pieces of fabric together to sew a decorative stitch on the right side of the garment.
5. Sew the seam, trimming the excess fabric. The needle thread will form a V on the underside of the fabric. The lower looper thread will pull into a straight line at the fabric edge.
6. Unfold the fabric and pull on opposite sides of the seam to pull the stitches flat.

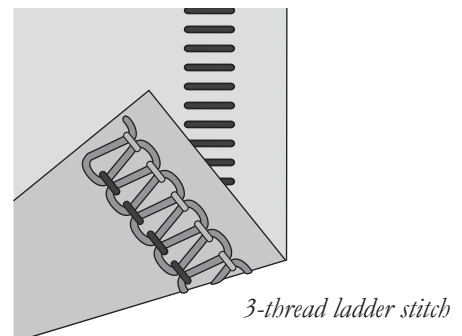
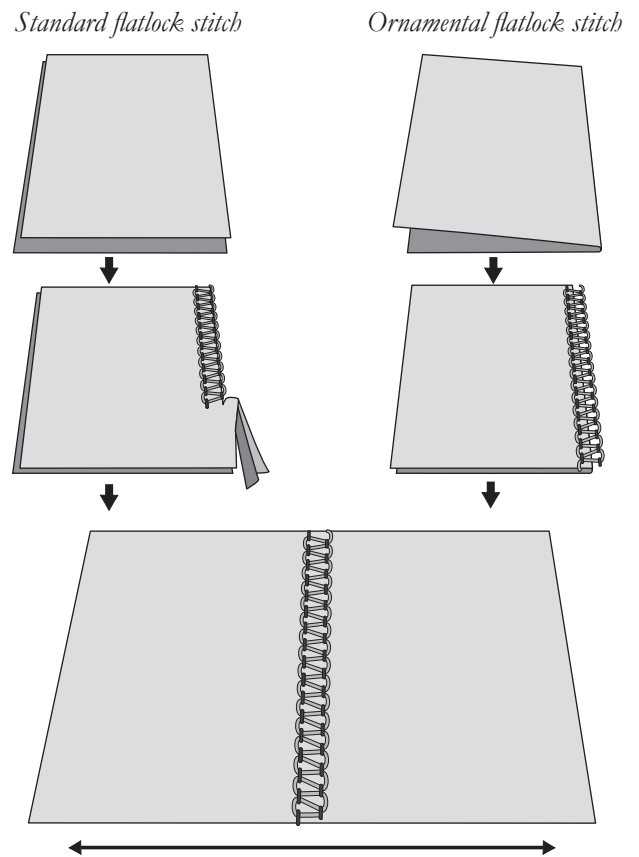
### Ornamental Flatlock Stitch

1. Disengage the movable upper cutter (C position) (see page 10). The fabric should not be trimmed on this stitch.
2. Follow steps 1-3 above.
3. Fold the fabric piece, wrong sides together, to sew a decorative stitch from the right side of the garment (at the fold).
4. Position the fabric so the seam is sewn with part of the stitch extending off the fabric.
5. Unfold the fabric and pull on opposite sides of the stitch to flatten.

*Tip: The upper looper thread is the prominent thread in the flatlock stitch. Place a decorative thread in the upper looper and regular threads in the lower looper and needle.*


### Ladder Stitch

To create a ladder stitch, sew with right sides of the fabric together. The needle thread will be the prominent thread that creates the ladder.



## CHAINSTITCH SEWING

The Chainstitch is sewn with two threads, one needle and one looper. Normally, the machine trims the fabric edge while the seam is being sewn. However, a Chainstitch seam can be placed at a desired distance from edge of fabric by putting the upper cutter in position C, disengaging the upper looper and installing Coverstitch table C.

 *Turn off the main power switch and unplug the machine.*

### Machine Set Up

1. Disengage the movable upper cutter (C position) (see page 10). The fabric should not be trimmed on this stitch.
2. Disengage the upper looper (page 11).
3. Remove cutter cover S and install Coverstitch table C (page 12). The graduations on the Coverstitch table indicate the distance, in cm and inches, from Coverstitch middle needle. Use it as a guide when positioning the fabric edge.

### Start and End of Sewing

When starting to sew, pull the thread chain lightly to the rear of machine until the needle penetrates the fabric.

When starting to sew after threading the machine, sew 2-3 cm (1- 2") on a scrap fabric and chain-off (see page 30) to make a chain.

At end of sewing, pull the fabric lightly to the rear of machine and chain-off.

## SEWING HINTS

### Pintuck Sewing

1. Sew decorative pintucks on the fabric before cutting out the garment.
2. Use overlock right needle and set the stitch selector dial to A for a narrow 3-thread overlock stitch.

*Note: The rolled edge stitch can also be used for this technique.*

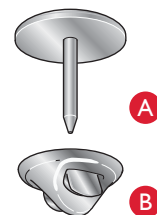
3. Disengage the movable upper cutter (C position) (see page 10). The fabric should not be trimmed on this stitch.
4. Mark the fabric with the desired number of pintucks using a water-soluble fabric marker.
5. Fold the fabric with the wrong sides together and sew.
6. Press the pintucks in the same direction.

## Sew in Circles

*(only suitable for heavy and medium weight fabrics)*

The extension table has 13 holes in it used to sew in circles. Sew circles with the movable upper cutter engaged (C position) (see page 10) to get a beautiful edge, or disengage the movable upper cutter (S position) and sew circle embellishments.

1. Mark a dot in the center of the area that will be the circle and place stabilizer under the fabric.
2. Pierce the fabric at the mark with the sharp end of the push pin (A). Place the pin into the selected hole on the extension table. Push the pin and its bottom plate (B) together.
3. Lower the presser foot and sew. The fabric will feed in a circle around the push pin.
4. When the circle is complete, overlap the seam for a few centimetres (an inch). Thread the threads into a large eyed, hand sewing needle and pull them to the wrong side of the fabric and secure.

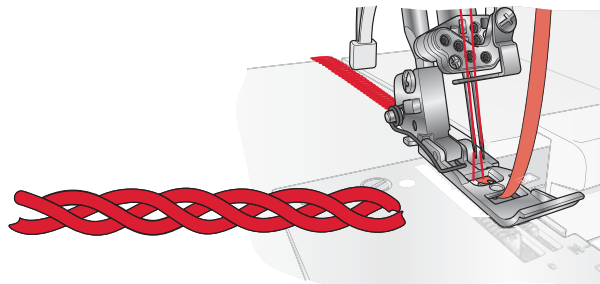


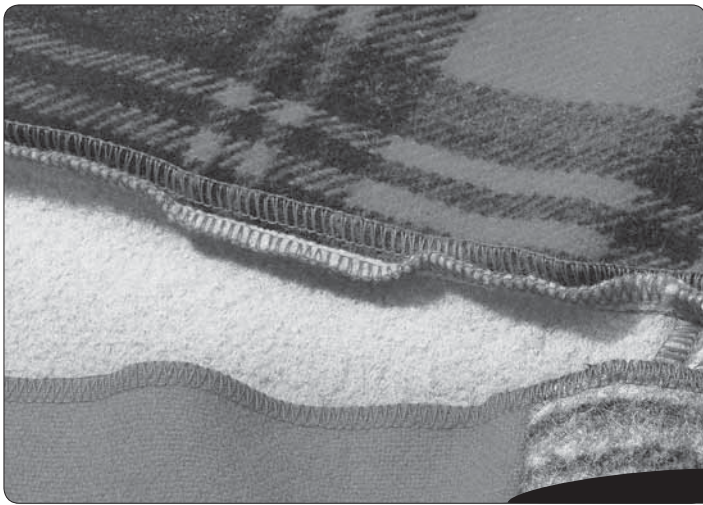
### Securing the Thread Chain

1. Thread the chain into a large eyed, hand sewing needle.
2. Insert the needle into the end of the seam and pull the chain into the seam to secure the threads.

### Braiding by Chaining Off

1. Disengage the movable upper cutter (C position) (see page 10).
2. Insert filler cord such as yarn or twill tape through the hole in the front of the foot.
3. Position the filler cord under the foot and chain off the desired length.
4. Chained off braids can be used individually or woven into 3 or 4 ply braids.





# 4

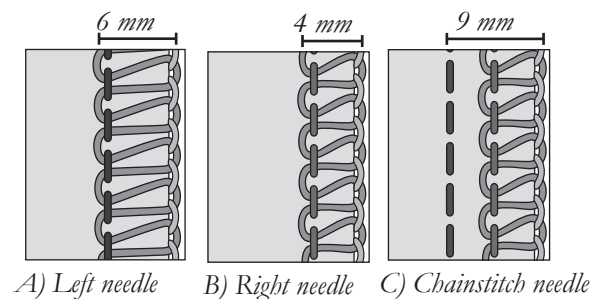
## STITCH ADJUSTMENTS

### STITCH WIDTH ADJUSTMENTS

The stitch width can be increased or decreased by changing the needle position or with the cutting width dial.

#### Width Adjustment by Changing Needle Position

- A) When only the left needle, or when both needles are used the stitch width is 6 mm.
- B) When only the right needle is used the stitch width is 4 mm.
- C) When using the Chainstitch needle the stitch width is 9 mm.

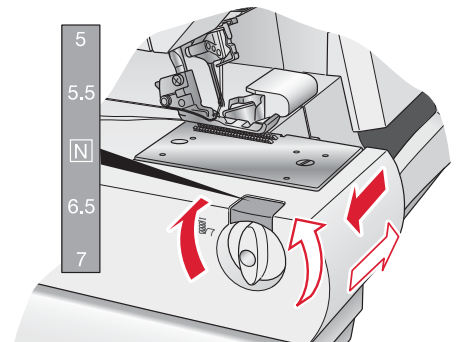


#### Width Adjustment with the Cutting Width Dial

By fine tuning the cutting width using the cutting width dial further adjustment are possible within the range shown below.

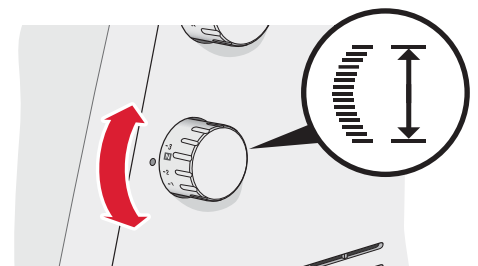
- When only the left needle is used: 5 - 7 mm
- When only the right needle is used: 3 - 5 mm
- When using the Chainstitch needle: 8 - 10 mm

Turn the dial to adjust the desired seam width. For standard setting the dial should be set to N.



### STITCH LENGTH ADJUSTMENT

The stitch length dial should be set to N for most sewing conditions. Adjust the stitch length to 4 mm when sewing on heavyweight fabrics. Adjust the stitch length to 2 mm when sewing on lightweight fabrics.



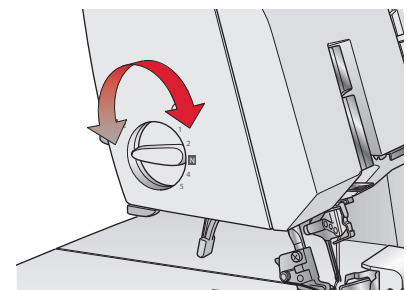
### PRESSER FOOT PRESSURE ADJUSTMENT

The presser foot pressure for sewing based on normal conditions should be set to N. Adjustments in some instances may be necessary. Increase or decrease the pressure until you are satisfied with the result. Always test sew on a sample of your fabric before sewing on your garment.

*Less pressure:* Decrease the pressure by turning the adjustment dial in counter-clockwise direction to a value between N and 1.

*More pressure:* Increase the pressure by turning the adjustment dial in clockwise direction to a value between N and 5.

*Back to standard setting:* Turn the adjustment dial until the mark on the knob is set to N.



## DIFFERENTIAL FEED ADJUSTMENT

The differential feed system consists of two sets of feed teeth arranged one behind the other. Both feed teeth work independently of each other to give perfect results when sewing on speciality fabrics. When the amount of feed by the front feed teeth is changed in relation to the feed by the rear feed teeth it will “stretch” or “gather” the fabric.

Use the differential feed to prevent stretching of knit fabrics and puckering of lightweight fabrics.

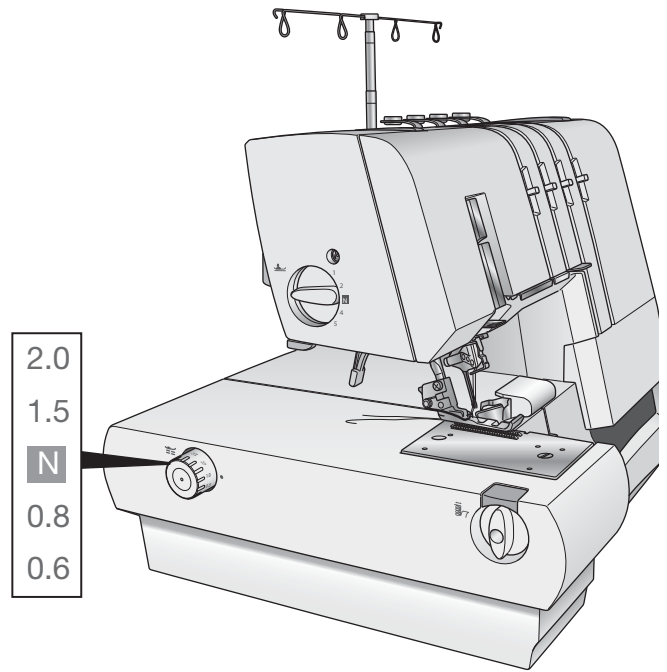
For overlock stitching on normal fabric, set the differential feed adjusting dial to N.

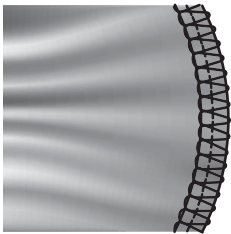
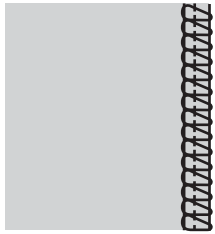
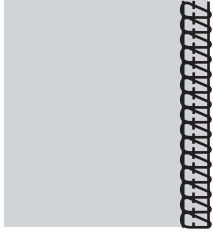
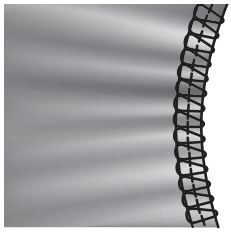
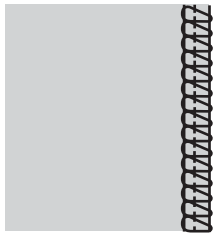
### Gathered Overlock (stretch, knit fabrics)

When overedging stretch fabric, such as knits and jersey, adjust the differential feed to a value between N and 2.0. The setting depends on the material being sewn as well as the desired amount of gathering. Test sew with different settings before sewing on your garment.

### Stretch Overlock (lightweight fabrics)

When overedging light woven or loosely knit fabrics, such as silk and silky knitwear, adjust the differential feed to a value between 0.6 and N. When sewing, apply gentle tension to the fabric by holding the seam lightly in front and back of the presser foot. The setting depends on the material being sewn as well as the desired amount of stretching. Test sew with different settings before sewing on your garment.



FABRIC	DIFFERENTIAL FEED – N	ADJUSTMENT	RESULT
<b>STRETCH FABRIC</b> <i>(Knit, jersey)</i>		N - 2.0	
<b>NON-STRETCH FABRIC</b> <i>(Chino, denim)</i>		N	
<b>LIGHTWEIGHT FABRIC</b> <i>(Silk, silky knitwear)</i>		0.6 - N	

## FINE TUNING TENSION SETTINGS

Thread tension is automatically set when selecting a stitch type with the stitch selection dial, but it may have to be fine tuned with the fine tuning levers depending on:

- Type and thickness of the fabric
- Needle size
- Size, type and fibre content of the thread

### 4-Thread Overlock

*When the upper looper thread lies on the underside of the fabric*

- Move the upper looper thread tension lever (green) toward a higher position.
- Or, move lower looper thread tension fine tuning lever (blue) toward a lower position.

*When the lower looper thread appears on the top of the fabric*

- Move the lower looper thread tension fine tuning lever (blue) toward a higher position.
- Or, move the upper looper thread tension fine tuning lever (green) toward a lower position.

*When the left needle thread tension is too loose*

- Move the needle thread tension fine tuning lever (yellow) toward a higher position.

*When the right needle thread tension is too loose*

- Move the right needle thread tension fine tuning lever (red) toward a higher position.

### 4-Thread Safety Stitch

*When the lower looper thread appears on the top of the fabric*

- Move the lower looper thread tension fine tuning lever (blue) to a higher position.
- Or, move the upper looper thread tension fine tuning lever (green) lever toward a lower position.

*When the right needle thread is too loose*

- Move the right needle thread tension fine tuning lever (red) toward a higher position.

*When the Chainstitch needle thread tension is too loose*

- Move the Chainstitch needle thread tension fine tuning lever (yellow) toward a higher position.
- Or, move the Chainstitch looper thread tension fine tuning lever (blue) toward a lower position.

### 3-Thread Overlock

*When the upper looper thread lies on the underside of the fabric*

- Move the upper looper thread tension fine tuning lever (green) to a higher position.
- Or, move the lower looper thread tension fine tuning lever (blue) to a lower position.

*When the lower looper thread appears on the top of the fabric*

- Move the lower looper thread tension fine tuning lever (blue) toward a higher position.
- Or, move the upper looper thread tension fine tuning lever (green) to a lower position.

*When the needle thread is too loose*

- Move the needle tension fine tuning lever (yellow or red) to a higher position.

### 3-Thread Safety Stitch

*When the lower looper thread tension is too loose*

- Move the lower looper thread tension fine tuning lever (blue) toward a higher position.

*When the right needle thread tension is too loose*

- Move the needle thread tension fine tuning lever (red) toward a higher position.

*When the left needle thread tension is too loose*

- Move the left needle thread tension fine tuning lever (yellow) toward a higher position.

### 3-Thread Flatlock Stitch

*When the lower looper thread tension is too loose*

- Move the lower looper thread tension fine tuning lever (blue) toward a higher position.
- Or, move the needle thread tension fine tuning lever (yellow or red) toward a lower position.

*When the upper looper thread tension is too loose*

- Move the upper looper thread tension fine tuning lever (green) toward a higher position.
- Or, move the needle thread tension fine tuning lever (yellow or red) toward a lower position.

*When the needle thread tension is too loose*

- Move the needle thread tension fine tuning lever (yellow or red) toward a higher position.
- Or, move the upper looper thread tension fine tuning lever (green) toward a lower position.



## 2-Thread Overlock

*When the lower looper thread lies on the underside of the fabric*

- Move the lower looper thread tension fine tuning lever (blue) toward a higher position.
- Or, move the needle thread tension fine tuning lever (yellow or red) toward a lower position.

*When the needle thread tension is too loose*

- Move the needle thread tension fine tuning lever (yellow or red) toward a higher position.
- Or, move the lower looper thread tension fine tuning lever (blue) toward a lower position.

## 2-Thread Overlock, Wrap

*When the lower looper thread tension is too tight or needle thread tension is too loose*

- Move the lower looper thread tension fine tuning lever (blue) toward a lower position.
- Or, move the needle thread tension fine tuning lever (yellow or red) toward a higher position.

*When the lower looper thread tension is too loose*

- Move the lower looper thread tension fine tuning lever (blue) toward a higher position.

## Chainstitch

*When the Chainstitch needle thread tension is too loose*

- Move the needle thread tension fine tuning lever (red) toward a higher position.
- Or, move the Chainstitch looper thread tension fine tuning lever (blue) toward a lower position.

## Coverstitch

*When the Coverstitch looper thread is too loose*

- Move the Coverstitch looper thread tension lever (blue) fine tuning toward a higher position.

*When the Coverstitch left needle thread tension is too loose*

- Move the Coverstitch left needle thread tension fine tuning lever (yellow) toward a higher position. Or, move Coverstitch looper thread tension fine tuning lever (blue) toward a lower position.

*When the Coverstitch middle needle thread tension is too loose*

- Move the Coverstitch middle needle thread tension fine tuning lever (red) toward a higher position. Or, move Coverstitch looper thread tension fine tuning lever (blue) toward a lower position.

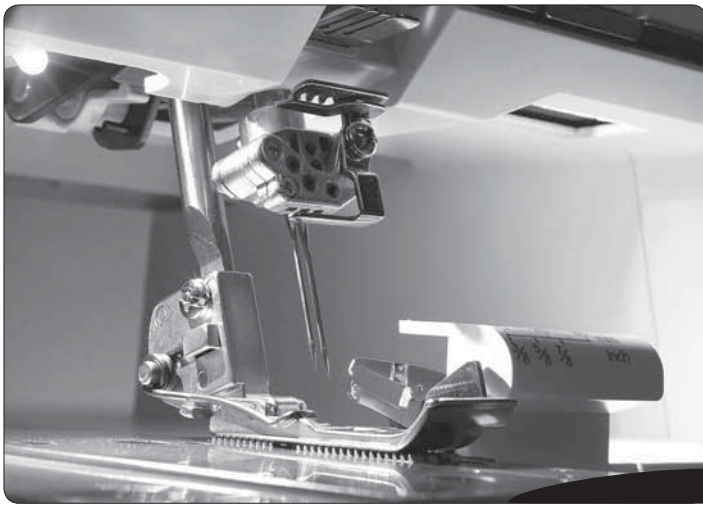
*When the Coverstitch right needle thread tension is too loose*

- Move the Coverstitch right needle thread tension fine tuning lever (green) toward a higher position. Or, move the Coverstitch looper thread tension fine tuning lever (blue) toward a lower position.

*When the top surface of fabric bulges between needle threads and the seams on the underside of the fabric becomes tight*

- Move the Coverstitch looper thread tension fine tuning lever (blue) toward a lower position.






# 5

## MACHINE MAINTENANCE

An overlock machine requires more frequent maintenance than a conventional sewing machine mainly for two reasons:

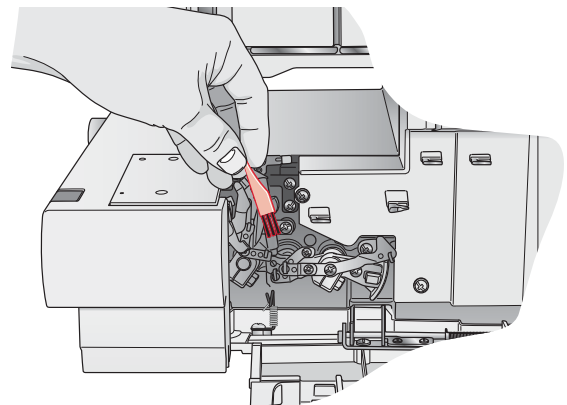
- A lot of lint is produced when the cutters are cutting the fabric.
- An overlock runs at a very high speed and needs to be oiled frequently to lubricate the internal working parts.

### CLEANING


 *Turn off the main power switch and unplug the machine.*

Open the front cover and remove all the lint using the lint brush.

Close the front cover and wipe the exterior surface of your machine with a soft cloth to remove any dust or lint built up.



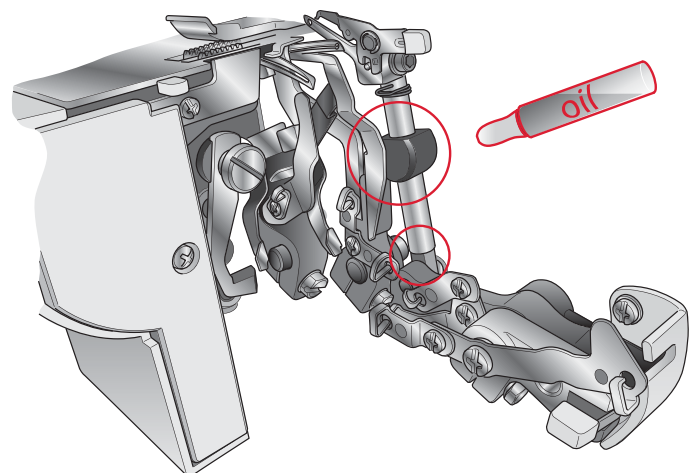
### OILING

 *Turn off the main power switch and unplug the machine.*


To keep the machine running smoothly and quietly the moving parts, pointed out on the picture, must be lubricated often.

Use supplied sewing machine oil. Do not use any other oil, it could damage the machine.

Wipe the machine surface to remove all excess oil before sewing.

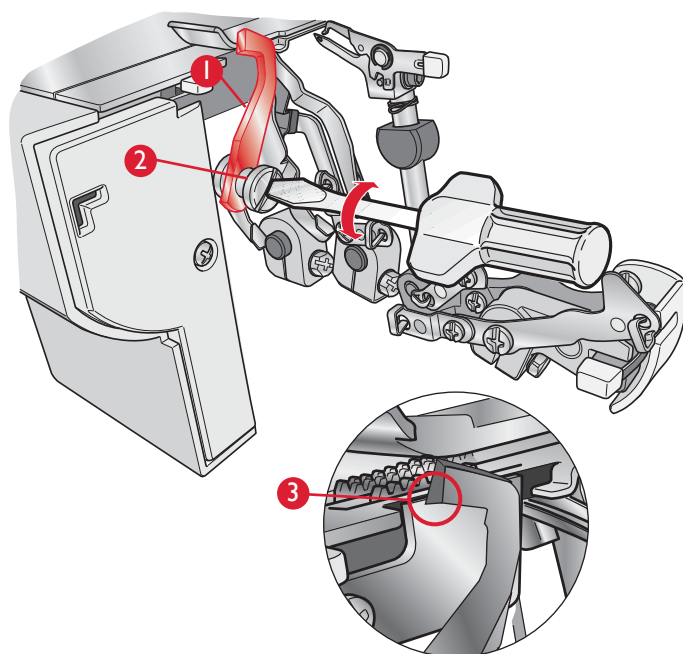


## REPLACING THE MOVABLE UPPER CUTTER


 Turn off the main power switch and unplug the machine.

The movable upper cutter should be changed when it becomes dull. The upper cutter can be replaced according to the following directions. If you are having any difficulties, consult your authorized HUSQVARNA VIKING® dealer.

- Open the front cover and set the movable upper cutter (1) in S position (See page 11).
- Loosen the set screw (2) and remove the upper cutter (1).
- Turn the handwheel until the upper cutter holder is in its lowest position.
- Place a new upper cutter in the groove of the upper cutter holder and tighten the set screw (2).
- Make sure the front edge of the movable upper cutter is 0.5-1.0 mm lower than the cutting edge of the stationary cutter (3).



## CHANGING THE LIGHT BULB

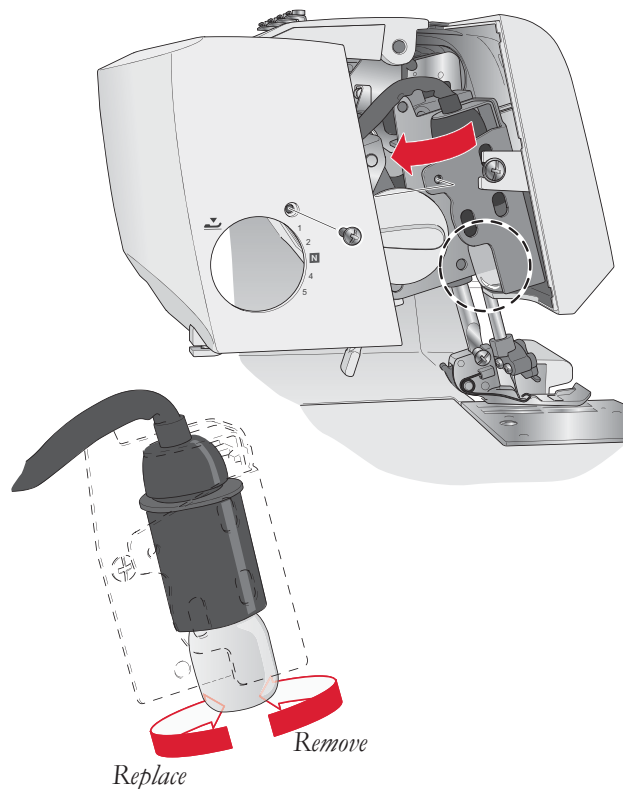
 Turn off the main power switch and unplug the machine.

**CAUTION:** Be sure the light bulb has cooled off before changing it.

**WARNING:** Replace the light cover before connecting the power cord.

Only use light bulbs of the same type rated 15W. Light bulbs are available at your authorized HUSQVARNA VIKING® dealer.

- Remove the light cover screw and while pushing the cover lightly to the rear, swing cover to the left and remove from machine as shown in the illustration.
- Turn the bulb to the left to remove.
- To replace the bulb, push the bulb into the socket and turn to the right.



## STORAGE

When the machine is not in use, be sure to keep it unplugged. Cover the machine with the dust cover to protect it from the dust. Store the machine, so it is not exposed to direct sunlight or humidity.

## SERVICING

Have your overlock machine serviced regularly by your local authorized dealer!

If you have followed the troubleshooting information (next page) and still have problems, take your overlock machine to your HUSQVARNA VIKING® dealer. If there is a specific problem, it is a great help to test sew with your thread on a scrap of your sewing fabric and bring it to your dealer. A sewing sample will often give much better information than words.

## Non-original Parts and Accessories

The warranty does not cover any defect or damage caused by use of non-original accessories or parts.

# TROUBLE SHOOTING

<i>Problem</i>	<i>Solution</i>
<i>Fabric Does Not Feed Well</i>	<ul style="list-style-type: none"><li>• Lengthen stitch length.</li><li>• Increase presser foot pressure for heavyweight fabric.</li><li>• Decrease presser foot pressure for lightweight fabric.</li><li>• Check the differential feed.</li></ul>
<i>Needle Breaks</i>	<ul style="list-style-type: none"><li>• Insert needle correctly.</li><li>• Do not pull fabric while sewing.</li><li>• Tighten needle set screw.</li><li>• Use a larger size needle on heavy fabrics.</li></ul>
<i>Thread Breaks</i>	<ul style="list-style-type: none"><li>• Check threading.</li><li>• Check for tangled or caught thread.</li><li>• Insert needle correctly.</li><li>• Insert new needle, current needle may be bent or have a blunt point.</li><li>• Use high quality thread.</li><li>• Loosen thread tension.</li></ul>
<i>Skipped Stitches</i>	<ul style="list-style-type: none"><li>• Insert new needle, current needle may be bent or have a blunt point.</li><li>• Tighten needle set screw.</li><li>• Insert needle correctly.</li><li>• Change type or size of needle.</li><li>• Check threading.</li><li>• Increase presser foot pressure.</li><li>• Use a high quality thread.</li></ul>
<i>Irregular Stitches</i>	<ul style="list-style-type: none"><li>• Balance thread tension.</li><li>• Check for tangled or caught thread.</li><li>• Check threading.</li></ul>
<i>Fabric Puckers</i>	<ul style="list-style-type: none"><li>• Loosen thread tension.</li><li>• Check for tangled or caught thread.</li><li>• Use high quality lightweight thread.</li><li>• Shorten stitch length.</li><li>• Decrease presser foot pressure for lightweight fabrics.</li><li>• Check the differential feed.</li></ul>
<i>Irregular Trimming</i>	<ul style="list-style-type: none"><li>• Check alignment of cutters.</li><li>• Replace one or both cutters.</li></ul>
<i>Fabric Jams</i>	<ul style="list-style-type: none"><li>• Check for tangled or caught thread.</li><li>• Compress thick layers of fabric with conventional machine before sewing with overlock.</li></ul>
<i>Machine Does Not Operate</i>	<ul style="list-style-type: none"><li>• Connect machine to power source correctly.</li></ul>

## SPECIFICATIONS

<i>Sewing speed</i>	Maximum 1100 stitches/min
<i>Stitch length</i>	1.0 - 4.0 mm
<i>Differential feed ratio</i>	1:0.6 - 1:2
<i>Overlock stitch width</i>	Left needle: 5.0 - 7.0 mm Right needle: 3.0 - 5.0 mm Coverstitch: 3.0 - 6.0 mm
<i>Needle bar stroke</i>	27 mm
<i>Presser foot rise</i>	4.5 mm
<i>Needles</i>	INSPIRA™ overlock needles - system ELx705 size: #14/90, #12/80
<i>Number of needles</i>	3, 2, 1
<i>Number of threads</i>	2, 3, 4

## MACHINE DIMENSIONS

<i>Width</i>	322 mm
<i>Length</i>	447 mm
<i>Height</i>	340 mm
<i>Weight</i>	9.26 kg



We reserve the right to change the machine equipment and the assortment of accessories without prior notice, or make modifications to the performance or design. Such modifications, however, will always be to the benefit of the user and the product.

### **INTELLECTUAL PROPERTY**

VIKING, KEEPING THE WORLD SEWING & Design, HUSKYLOCK and INSPIRA are trademarks of KSIN Luxembourg II, S.ar.l.

HUSQVARNA and the “crowned H-mark” are trademarks of Husqvarna AB.

All trademarks are used under license by VSM Group AB.

