



View this machine and more at:

<https://www.thesewingstudio.co.uk>

## STRAIGHT STITCHING

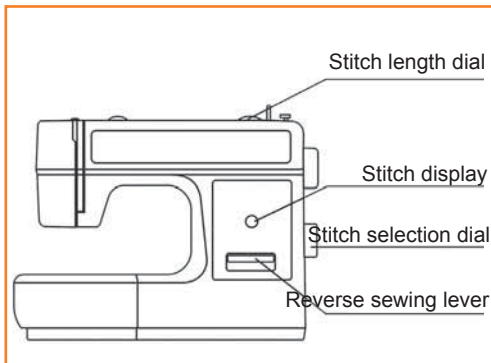
### Straight stitching center needle position

Turn the stitch selector dial so that the “A” appears in the stitch display window.

Snap on the standard presser foot.

Adjust the stitch length by turning the stitch length dial to the desired stitch length. 2.5 is standard stitch length.

To get the reinforced triple straight stitch, turn the stitch length dial to position “S1”.

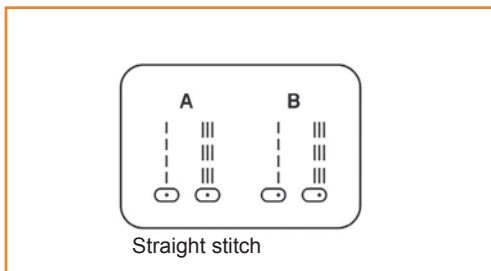


### Straight stitching right needle position

Turn the stitch selector dial so that the “B” appears in the stitch display window.

Adjust the stitch length by turning the stitch length dial to the desired stitch length.

To get the reinforced triple straight stitch, turn the stitch length dial to position “S1”.



Suggested stitch lengths:

2.0 for lightweight fabrics

2.5 for medium weight fabrics

3.0 for heavy weight fabrics

4.0-5.0 for basting

S1 for stretch fabrics

# ZIGZAG STITCHING

Turn the stitch selector dial so that the stitch display shows “C”-zig-zag. Turning the stitch selector dial will increase or decrease the zig zag width.

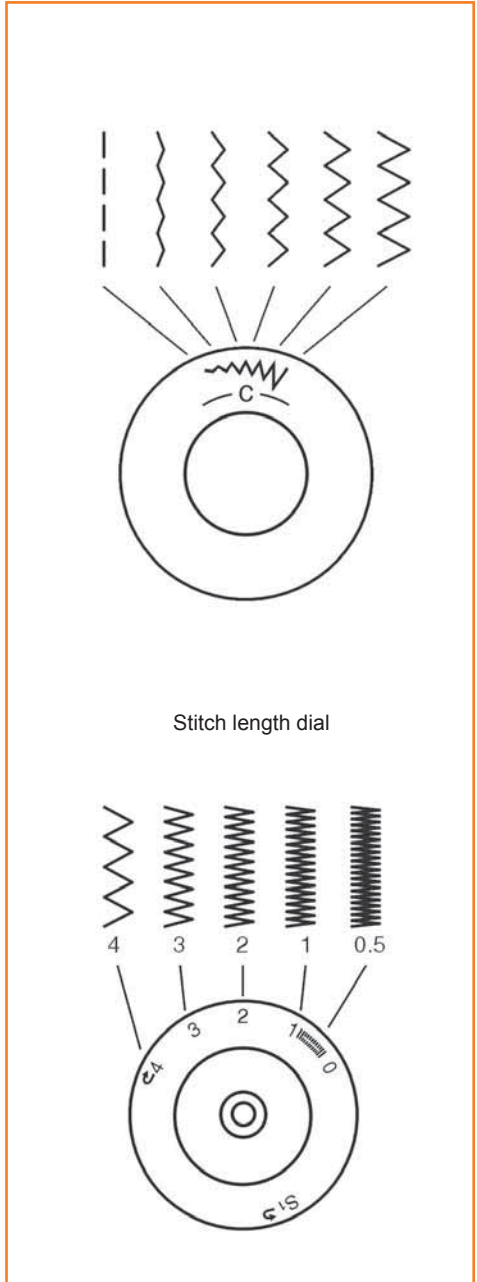
Snap on the standard foot.

## Function of stitch length dial while zigzagging

The density of zigzag stitches increase as the setting of stitch length dial approaches “0”.

Zigzag stitches are usually sewn at “2.5” or less.

Dense zigzag stitches (close together) are referred to as a satin stitch.



# HOW TO SEW BUTTONHOLES

## Preparation

Select buttonhole with the stitch Selection dial.

Snap on The buttonhole foot.

Adjust the stitch length dial between “0.5” - “1”.





The density of the stitch depends on thickness of the fabric.

**Note:** Always test sew a buttonhole.

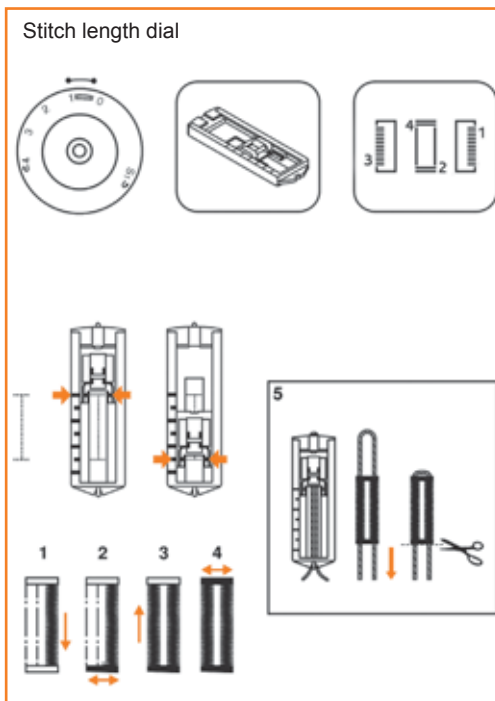
## To prepare the fabric

Measure the diameter of the button and add 0.3 cm (1/8”) for the bartacks. If you have a very thick button, add more to the diameter measurement. Mark the position and length of the buttonhole on the fabric. Position the fabric so that the needle is on the mark that is furthest from you. Pull the buttonhole foot towards you as far as it will go.

Lower the foot.

1. Select buttonhole with the stitch selection dial. Turn the stitch selection dial to (1) “”. Sew at moderate speed until you reach the end mark.
2. Turn the stitch selection dial to (2, 4) “” and sew 5-6 bartack stitches.
3. Turn the stitch selection dial to (3) “” and sew the left side of the buttonhole to the mark at the end which is further from you.
4. Turn the stitch selection dial to (2, 4) “” and sew bar tack stitches.

Remove the fabric from under the foot. Pull the upper thread to the wrong side of the fabric and knot upper and lower threads. Cut the center of the buttonhole with the seam ripper, being careful not to cut the stitches on either side.




---


## Tips

- Slightly reduce upper thread tension to produce a satin stitch on top.
- Place stabilizer underneath for fine and stretchy fabrics.
- It is best to sew a cord for a buttonhole on a stretch or knit fabrics. The buttonhole columns should sew over the cord. (5)

## BLIND HEM

For hems, curtains, trousers, skirts, etc.

Select  Blind hem for stretch fabrics.

Select  Blind hem for woven fabrics.

Snap on Blind hem foot. (1)

Stitch length 1.5-2.5

### **Note:**

*It takes practice to sew blind hems.*

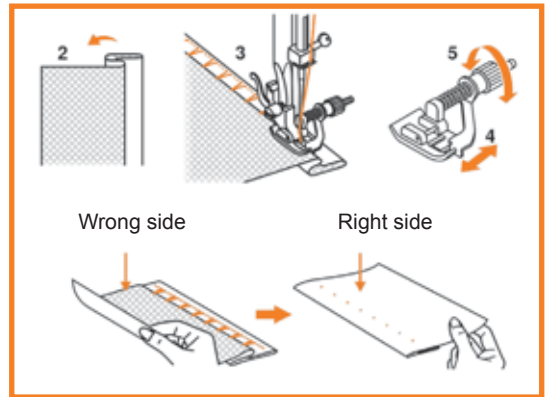
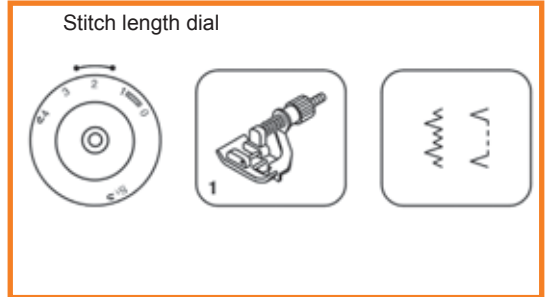
*Always make a sewing test first.*

Fold the fabric as illustrated with the wrong side up. (2)

Place the fabric under the foot. Turn the handwheel forwards by hand until the needle swings fully to the left. It should just pierce the fold of the fabric. (3)

Adjust the guide on the foot (4) by turning the knob (5) so that the guide just rests against the fold.

Sew slowly, by pressing the foot control lightly guiding the fabric along the edge of the guide.



## ZIPPERS AND PIPING

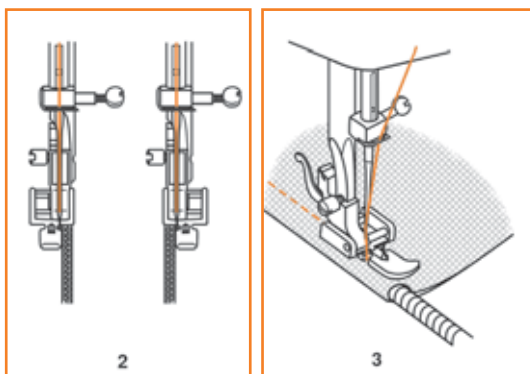
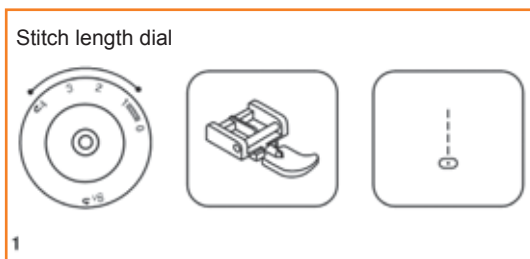
Set the machine as illustrated. (1)

The zipper foot can be snapped onto the right or left, depending on which side of the foot you are going to place against the zipper or piping. (2)

To sew past the zipper pull, lower the needle into the fabric, raise the presser foot and push the zipper pull behind the presser foot. Lower the foot and continue to sew.

The zipper foot is also used to sew cord into a bias strip to form a piping and to sew the piping into a seam. (3)

Set stitch length control between "1" - "4" (according to thickness of fabric).



### 3-STEP ZIG-ZAG

Sewing on lace and elastic, darning, mending, finishing edges.

Set the machine as illustrated. (1)

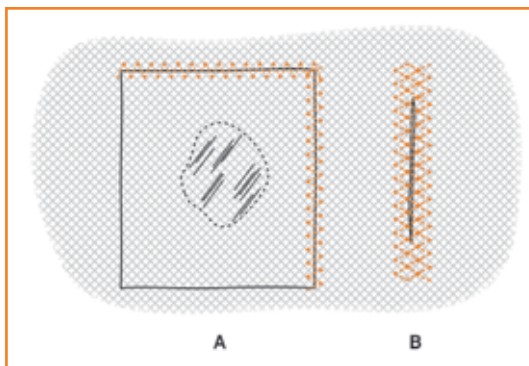
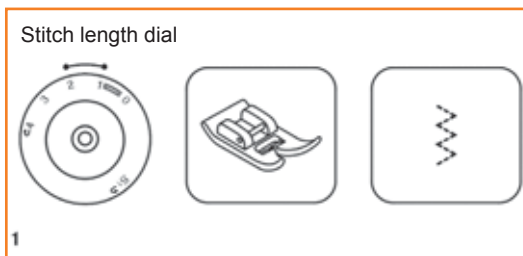
#### Patching:

Place the patch in position and stitch around edges.

The stitch length can be shortened to produce very close stitches. (A)

When mending tears, it is advisable to use a piece of backing fabric to reinforce. The stitch density can be varied by adjusting the stitch length. Begin by sewing over the center and then overlap on both sides. Depending on the type of fabric and damage, sew between 3 and 5 rows. (B)

To finish edges, stitch along the edge of the fabric.





## STITCH SELECTION

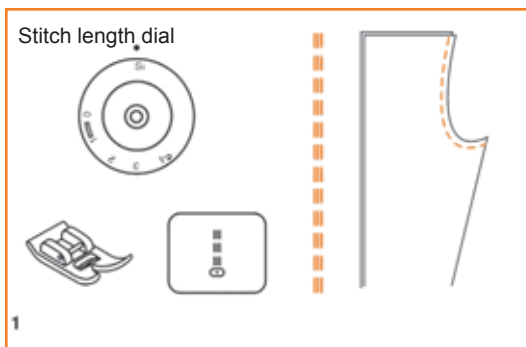
### Triple straight stitch: (1)

For reinforced seams.

Turn the stitch length dial to "S1".

The machine sews two stitches forwards and one stitch backwards.

This gives triple reinforcement.



### Triple zig-zag: (2)

For hardwearing seams, hems and decorative seams.

Turn the stitch length dial to "S1".

Triple zig-zag is suitable for firm fabrics like denim, corduroy, etc.

