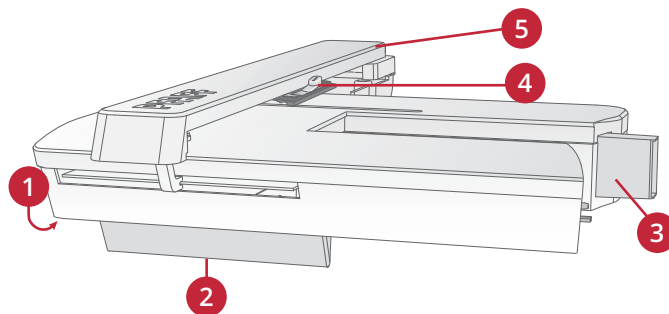


# 5 Embroidery Preparations

## Embroidery Unit Overview

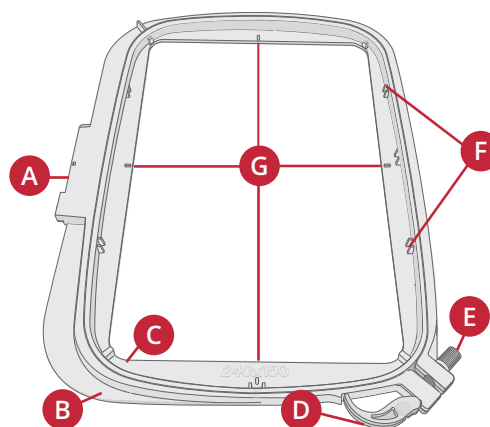
(type EU-3P)

1. Embroidery unit release button
2. Level adjusting feet
3. Embroidery unit socket
4. Embroidery hoop connection assembly
5. Embroidery arm



## Embroidery Hoop Overview

- A. Embroidery hoop connector
- B. Outer hoop
- C. Inner hoop
- D. Quick release
- E. Retaining screw
- F. Ribs for fitting optional clips
- G. Center markings



## Designs

86 designs are stored on the USB embroidery stick delivered with your machine. We recommend copying the designs to your computer as an easily accessible backup if you should lose the USB embroidery stick or if you temporarily want to remove the designs from the stick.

## Embroidery Collection

Page through the PFAFF® **creative™ ambition 640** embroidery collection booklet, found as a PDF-file on the USB embroidery stick, for an overview of the available designs and embroidery fonts. The design number, stitch count (number of stitches in the design) and the design size are displayed next to each design. The suggested thread colors for each color number are shown.

## Download Backup Designs


All **creative™ ambition 640** designs and other files from the USB stick are also available on our website for backup. Go to PFAFF® website at [www.pfaff.com](http://www.pfaff.com), click on Support and select **creative™ ambition 640**. When downloading the files you will be asked to enter a code. Enter number:

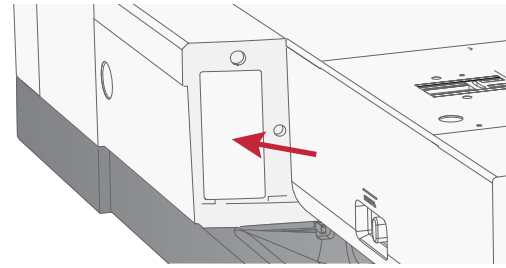
**8200creative**

## Connect the Embroidery Unit

There is a covered socket behind the free-arm, see illustration. The cover will open automatically when connecting the embroidery unit.

1. Make sure the machine is turned off.
2. Slide the accessory tray off.
3. Slide the embroidery unit onto the free arm of the machine until it plugs firmly into the socket. If needed, use the level adjusting feet so that the machine and embroidery unit are even.
4. Turn on the machine. It will automatically restart and enter embroidery mode.
5. Clear the embroidery area. A pop-up tells you to remove the hoop for positioning. Press OK. The machine will calibrate and the embroidery arm will move to the ready position.

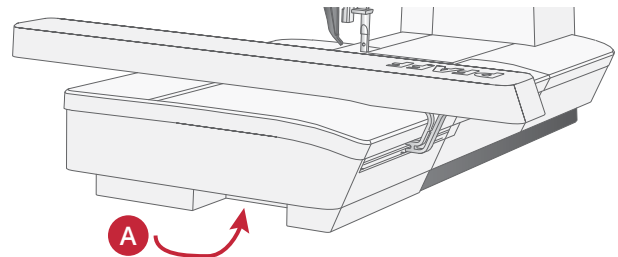
 *Make sure not to calibrate the machine with the embroidery hoop attached as this can damage the needle, presser foot, hoop and/or the embroidery unit. Be sure to clear all materials from around the machine before calibrating so that the embroidery arm does not bump into anything while calibrating.*



Remove hoop.  
Disengage IDT.  
Attach embroidery  
presser foot.  

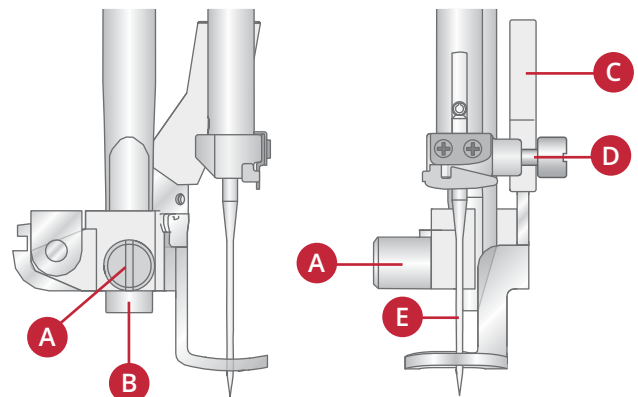

## Remove the Embroidery Unit

1. To store the embroidery unit, move the embroidery arm to park position by selecting park position in the hoop options menu or the settings menu.
2. Make sure the machine is turned off.
3. Press and pull the button at the left, underneath the embroidery unit (A) and slide the unit to the left to remove it.
4. The cover of the socket closes automatically.
5. Store the embroidery unit in the original packing material.



## Attach Embroidery/Free-Motion Foot 6

1. Turn off the power switch to prevent accidents.
2. Turn the hand wheel toward you until the needle is at its highest point.
3. Disengage the IDT™ system and raise the presser foot.
4. Remove the presser foot and holder by removing the presser foot screw (A).
5. Attach the embroidery/free-motion foot 6 to the presser bar (B) so that the arm (C) of foot should ride on the shaft (D) of needle clamp. For embroidery, exchange the needle to an embroidery needle (E).
6. Attach the presser foot screw (A) and tighten it. For easier access, lower the needle slightly.

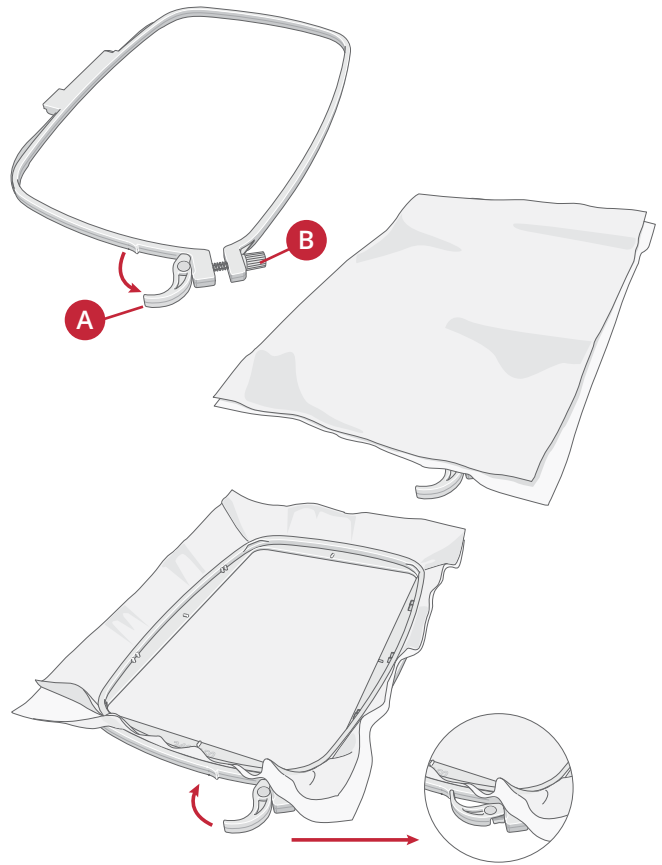


## To Hoop the Fabric

For the best embroidery results, place a layer of stabilizer beneath the fabric. When hooping stabilizer and fabric make sure that they are smooth and securely hooped.

1. Open the quick release (A) on the outer hoop and loosen the screw (B). Remove the inner hoop. Place the outer hoop on a firm flat surface with the screw on the lower right (B). There is a small arrow in the center of the lower edge of the hoop which will line up with a small arrow on the inner hoop.
2. Place the stabilizer and fabric, with the right sides facing up, on top of the outer hoop. Place the inner hoop on top of the fabric with the small arrow at the bottom edge. If you can see the hoop size in the lower part of the inner hoop, you have attached it correctly.
3. Push the inner hoop firmly into the outer hoop.
4. Close the quick release (A). Adjust the pressure of the outer hoop by turning the retaining screw (B). The fabric should be taut in the hoop for the best results.

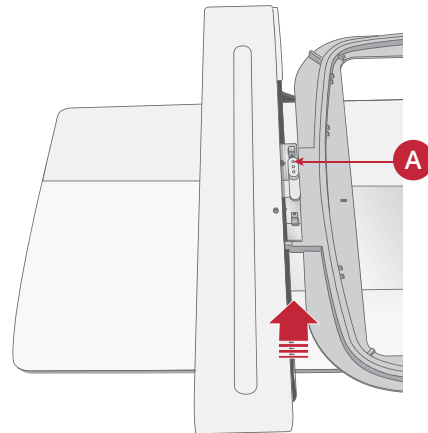
*Note: When embroidering additional designs on the same fabric, open the quick release, move the hoop to the new position on the fabric and close the quick release. When changing type of fabric, you might need to adjust the pressure using the retaining screw. Do not force the quick release.*



## Attach/Remove the Hoop

Slide the hoop onto the embroidery arm from front to back until it clicks into place.

To remove the hoop from the embroidery arm, press the button (A) on the hoop connection assembly and slide the hoop towards you.

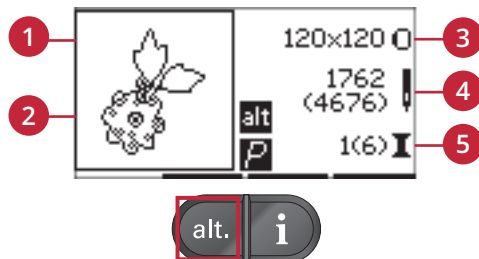


# 6 Embroidering

In embroidery mode you can adjust and stitch out designs. You need to have the embroidery unit connected to your machine to enter embroidery mode. After loading a design there are two views available in embroidery mode - stitch-out and edit.

## Embroidery Stitch-Out View 1

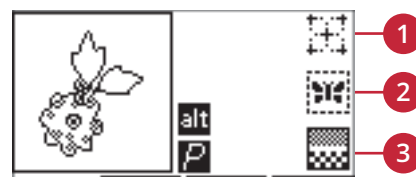
1. Embroidery field
2. Loaded design
3. Hoop size
4. Stitches left in color block (total number of stitches left in design)
5. Current color (total number of colors)



## Embroidery Stitch-Out View 2

Press the alt button to toggle to view 2.

1. Orbit to check position
2. Basting
3. Monochrome embroidery



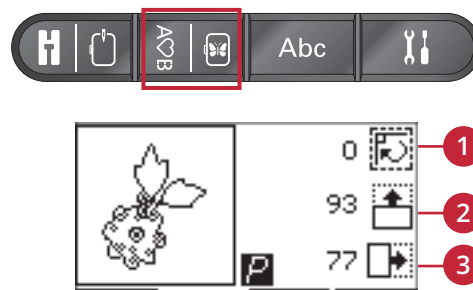
## Embroidery Edit View

To adjust a design, press the embroidery edit button.

1. Rotate design
2. Design height
3. Design width

*Note: Values that have been changed from default will be highlighted. The stitch out view will automatically be shown when starting to stitch-out your design*

To return to the stitch-out view, press the stitch-out button.



## Design Information

Press the info button to view information about the loaded design.

*Note: The machine will stop if you press the info button while machine is running.*

### Design Name/Number

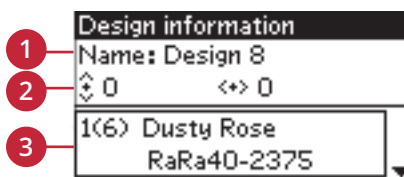
Shows the name and number of the current design.

### Design Position

Shows how many millimeters the design has been moved from the center position in the hoop.

### Color List

All colors in the loaded design are shown in the order they will be embroidered. Each listed color shows order, name and thread type. Use the up and down arrow buttons to view all of the colors in the list.



1. Design name/number
2. Design position
3. Color list

# Embroidery Stitch-Out

## Load a Design

This machine has 15 built-in embroidery designs and 86 designs delivered on the USB embroidery stick. All designs can be viewed in the **creative™ ambition 640** embroidery collection booklet available as a PDF file on the USB embroidery stick.

### Load Built-In Designs

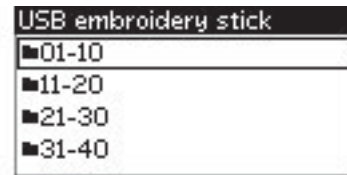
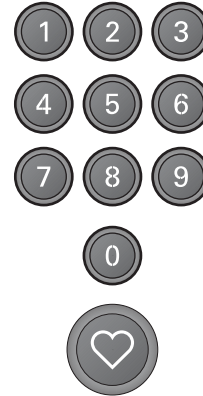
With the embroidery unit connected, enter the number of desired design using the direct selection buttons. The design will be loaded into the embroidery field in embroidery stitch-out.

### Load Designs From the USB Embroidery Stick

1. To load a design from the USB embroidery stick, insert the stick into the USB port on the right side of the machine with the embroidery unit attached and press the load button. Your machine can load .vp3 embroidery files.
2. Use the arrow buttons to select a folder and then press OK to open it. To go back to the previous folder, select the top line and press OK.
3. Select the design you want to load and press OK to confirm. It will be loaded into the embroidery field in embroidery stitch-out.

*Note: If you have already loaded a design, the next design you load will automatically replace the first one.*

When saving designs to the USB embroidery stick from your PC, make sure not to create too many levels of sub folders as this may create a file path that is too long. Also make sure to keep the file name short.



## Load an Embroidery Font

This machine has 2 built-in fonts, curlz and graphite, in three different sizes. Select a font from **creative™ ambition 640** embroidery collection booklet and type in the font number (curlz: 200, 201, 202 or graphite: 300, 301, 302) using the keypad. The font will load into the embroidery text editor.

### Load Fonts From the USB Embroidery Stick

You can create more embroidery font files using the embroidery intro software. See page 25.

1. Press the load button with the USB embroidery stick connected. Your machine can load .vf3 embroidery font files.
2. Select the font file you want to load and press OK to confirm. The font will load into the embroidery text editor.



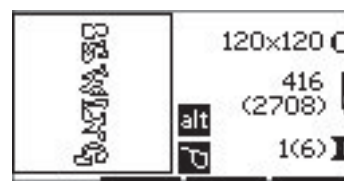
Note: Font files are indicated with this symbol.

## Embroidery Text Editor

An alphabet will be shown automatically when you have loaded a font. The embroidery text editor works just like sequencing, see page 43.

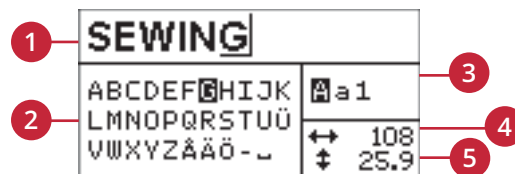
1. Create your embroidery text by selecting letters using the arrow buttons.
2. Confirm your selections by pressing OK.
3. Press second row - or + button to change character set.
4. When you want to sew your text, press the stitch-out button to bring the text to embroidery stitch-out. The square will now have the appearance of the loaded text.
5. Press the embroidery edit button to rotate or adjust the length and height of the text by pressing the corresponding + and - buttons.

Note: Press the alphabet mode, sequencing button to enter the embroidery text editor again. All adjustments made in stitch-out and edit mode will be cancelled if you go back to the embroidery text editor. A pop-up will appear asking if you wish to return to embroidery stitch-out. Select Yes to return to stitch-out mode. All your adjustments will remain. Select No to open the embroidery text editor. All adjustments made in stitch-out mode will be cancelled. Select Yes or No with the arrow buttons and press OK.



### Embroidery Text Editor View

1. Text field
2. Alphabet
3. Character set (upper case/lower case, normal/special, symbols)
4. Text length information
5. Text height information

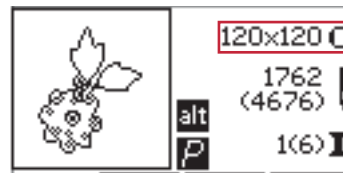




## Hoop Sizes

Use the - or + buttons just to the right of the hoop size symbol to scroll through a list of available hoop sizes, including hoops that are available to purchase from your authorized PFAFF® dealer. Depending on the size of the design, some hoops may not be available for selection and the machine will beep.

*Note: If you try to start embroidering and the hoop you have selected is not the same as the hoop attached to the embroidery unit, a pop-up will appear to inform you of this. Attach the correct hoop or select another hoop in the list.*



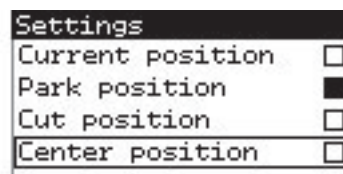
Stitch-out view 1

## Hoop Positions

Open the settings menu to choose between different hoop positions.


### Current Position

When you want to return to the current stitch and start embroidering again where the embroidery was interrupted, select the current position option. You can also press the start/stop button once to return to the current stitch and start to embroider.



### Park Position

When you have finished your embroidery, remove the hoop and select the park position option.

 *It is very important that the hoop is removed, otherwise it may be damaged.*

### Cut Position

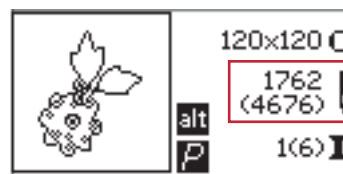
Cut position will move the hoop towards you, making it easier to trim fabric when embroidering an appliqué.

### Center Position

Use the center position if you want to move the needle to the center position of the hoop.

## Stitches Left in Color Block

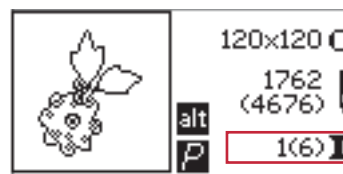
The two values shown in the center position on the right side of the display indicate the number of stitches left in the current color block and the number of stitches left in the design (shown in brackets). Press the + or - buttons to step forward or backward stitch by stitch through the design. Step backwards a few stitches if the needle thread breaks or runs out.



Stitch-out view 1

## Current Color

The values displayed in the lower right corner denote the current color block and the total number of color blocks in the design (shown in brackets). Use the + and - buttons to move forward or backward through the color blocks.



Stitch-out view 1

## Orbit to Check Position

Orbiting can be used to trace the design area. Press the first row + button to move the hoop so the needle is placed in the upper left corner of where the design will be embroidered. Each time you press the + button the hoop will move to view all corners of the design. On the fifth press the hoop will move so the needle is above the center position of the design. On the sixth press it will move back to its original position. If the - button is pressed the hoop will move in reverse sequence. The hoop will first move to the center position of the design and then to each corner.



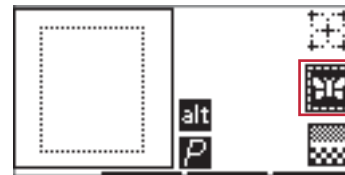
Stitch-out view 2

## Basting

Press the second row - or + button and the machine will create a basting stitch around the design area.

Basting enables you to secure your fabric to a stabilizer placed beneath it, especially when the fabric to be embroidered cannot be hooped. Basting provides support for stretchy fabrics. It also shows where the design will be placed on the fabric.

*Note: During basting the design box will be indicated with a dashed line.*

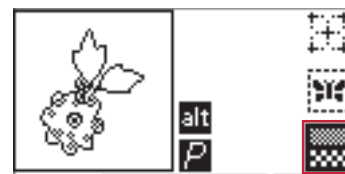


Stitch-out view 2

## Monochrome

Press the third row - or + buttons to activate monochrome embroidery. The machine will not stop for color block changes. Press the button again to deactivate monochrome embroidery.

*Note: When monochrome is activated, the design box will be indicated with a black frame.*



Stitch-out view 2

## Speed Control

Adjust the maximum embroidery speed by sliding the speed control lever up or down. It works just like in sewing mode, see page 29.

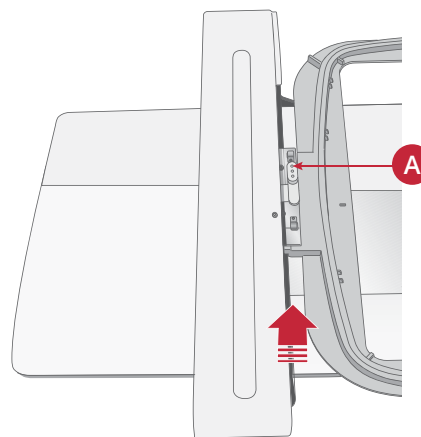
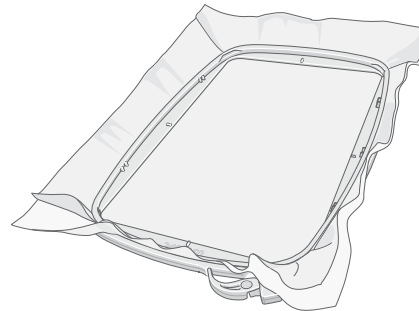
## Thread Tension

When embroidering with specialty thread or fabric you may need to adjust the thread tension to achieve the best result. Thread tension can be adjusted in the settings menu, see page 30.



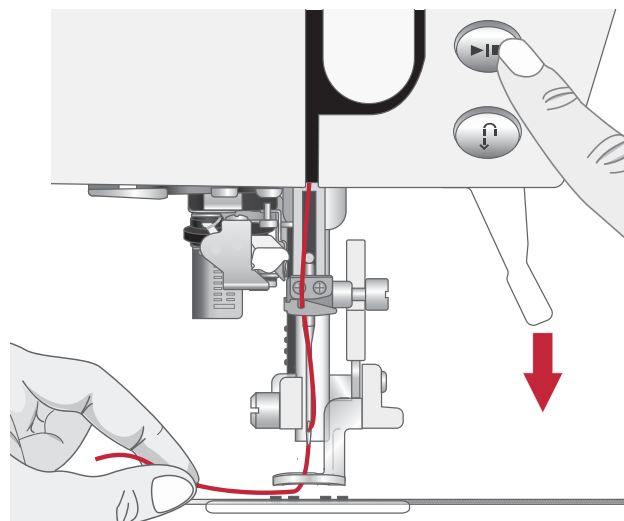
## Getting Started Embroidering





1. Clear sufficient space to accommodate movement of the embroidery arm and the hoop.
2. Make sure the machine is turned off and slide the embroidery unit onto the free arm of the machine until it plugs firmly into the socket. Turn on the machine. It will automatically restart and enter embroidery mode. A pop-up tells you to remove the hoop for positioning. Press OK. The machine will calibrate and the embroidery arm will move to the ready position.
3. Make sure the IDT™ system is disengaged and attach the embroidery foot. Insert a bobbin with lightweight bobbin thread.
4. Select a design number from the machine by using the keypad or select one from a USB embroidery stick (make sure that the USB embroidery stick is connected) and press OK to load to embroidery stitch-out.
5. The design is placed in the center of the hoop.
6. Hoop a piece of fabric and stabilizer, and slide the hoop onto the embroidery arm.
7. Thread the machine with the first color in the color list.
8. Lower the presser foot. Hold the needle thread and press the start/stop button or the foot control. The machine starts embroidering and stops automatically after few stitches. A pop-up appears asking you to cut thread end. Cut thread end and press OK. Continue embroidering by pressing start/stop or the foot control.



*Note: Automatic stop for cut is activated by default. Open the settings menu to deactivate this setting. Automatic stop for cut is disabled if you use the foot control when embroidering.*

9. When the first color is completed, your machine stops. A pop-up appears asking you to change color. Re-thread with the next color and press OK. Continue embroidering by pressing start/stop or the foot control. Each color segment is tied off at the end and the needle and bobbin threads are cut.
10. When the embroidery is completed, your machine cuts both threads and stops. A pop-up informs you that your embroidery is finished. Press OK. Raise the presser foot to easily remove the hoop.

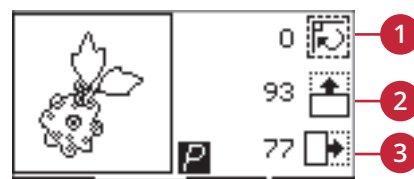


 Cut thread end 	Change thread color. New color: #A2A2A2 Cabernet 
Embroidery finished 	

## Embroidery Edit

To adjust your design, press the embroidery edit button. When you press the stitch-out button, the machine will switch to embroidery stitch-out.

*Note: When you press the start/stop button or foot control, machine will automatically change to embroidery stitch out view and start stitching.*



## Rotate

You can rotate the design around its center point. Use the - and + buttons just to the right of the rotate icon to rotate. Each time you press the + button, the design will rotate 90 degrees clockwise. Press the - button to rotate the design counterclockwise. To the left of the rotate icon on the screen you can see how many degrees the design has rotated from its original position.

1. Rotate
2. Design height
3. Design width

*Note: Some designs are too large to rotate in 90 degree increments. Each press of the button will then rotate 180 degrees. The P icon will rotate according to this setting, indicating the current orientation of the design in the embroidery area.*

## Design Height

You can increase or decrease the design height up to 20%. Use the + and - buttons just to the right of the design height icon. The design height is scaled 5% for each press.

## Design Width

You can increase or decrease the design width up to 20%. Use the + and - buttons. The design width is scaled 5% each time you press a button.

## Move

Use the wheel to move the design anywhere in the embroidery field. In the design information view you can see how far the design has been moved from its original position. Press the OK button to center the design in the hoop.



## Mirroring

Use the mirroring buttons to mirror the design end to end or side to side. The icons will appear when these buttons are pressed.

*Note: The P icon will mirror according to this setting.*



# Embroidery Pop-Ups

## **Remove Hoop. Disengage IDT.**

### **Attach embroidery presser foot.**

When the embroidery unit is attached, a pop-up asks you to remove the hoop and clear the machine area for calibrating the embroidery arm. Press OK. The machine will calibrate and the embroidery arm will move to the ready position.

*Note: It is very important to remove the hoop, otherwise the hoop or the embroidery unit may be damaged while calibrating.*

## **Embroidery Unit Not Supported. Please Replace Embroidery Unit**

You can only use the embroidery unit that is delivered with your machine. Attach the correct embroidery unit.

## **Please Raise the Presser Foot**

Some functions are only possible with the presser foot raised. When trying to perform these functions with the presser foot lowered this pop-up message is shown. Raise the presser foot and press the OK button to close the pop-up message.

## **Correct hoop not attached, please attach correct hoop.**

When the size of the hoop on the machine does not match the size displayed on the graphic display, your machine will not sew. Change the hoop to the size displayed or change the setting for hoop size to match your selected hoop, see Hoop Sizes, page 51.

## **Change Thread Color**

When it is time to change the needle thread the machine stops and the threads are cut. Change the spool and re-thread the machine. The next recommended color is shown in the pop-up message.

This pop-up message is also shown when your machine stops automatically for you to trim the fabric on cut work, applique etc. See explanation for each design in the **creative™ ambition 640** embroidery collection.

Read about the embroidery collection on page 45.

## **Embroidery Finished**

A pop-up message informs you when the embroidery is finished. Press the OK button to close the pop-up message.

## **Cut Thread End**

When starting to embroider or after changing the thread, the machine will sew a few stitches and then stop so you can cut the thread end.

*Note: Automatic stop for cut is activated by default. Open the settings menu to deactivate this setting. Automatic stop for cut is disabled if you use the foot control when embroidering.*

## **Calibration Failed**

The machine was unable to calibrate. Clear the machine area for calibrating the embroidery arm and press the OK button.

## **Please Lower the Presser Foot**

Your machine will not embroider if the presser foot is raised. Lower the presser foot and press the OK button to close the pop-up message.

## **Check Needle Thread**

The machine stops automatically if the needle thread runs out or breaks. Re-thread the machine, press OK and continue embroidering by pressing the start/stop button or the foot control.

## **This Will Restart and Clear All Adjustments, Return to Stitch Out?**

This pop-up message will appear if you press the sequencing mode button after starting the embroidery to go back to the text editor and change an existing embroidery text. If you select no the text editor will open and all your adjustments made in embroidery mode will be cancelled. If you select yes you will return to embroidery mode and all your adjustments will be kept. Use the arrow buttons to select yes or no and press the OK button.

## **Connect a USB Embroidery Stick**

In embroidery mode if you press the load button without having a USB embroidery stick connected, this pop-up will appear. Connect a USB embroidery stick and press OK to load a design.

### **The Data On the USB Embroidery Stick Is Not Readable**

This pop-up will appear when your sewing machine cannot access the information on the USB embroidery stick. This can be caused when incorrect file formats are saved to the USB embroidery stick. Other reasons could be that the USB embroidery stick is damaged or not compatible with the sewing machine.

### **Remove the hoop, then press OK**

This pop-up will appear when a function has been chosen that forces the embroidery unit to move outside the limits for the attached hoop. In order for the embroidery arm to move freely, remove the hoop and then press OK.

### **This design is too large for the embroidery unit.**

This pop-up message appears if the size of the design you are trying to load is too large or if the design contains too many stitches. Your machine can load designs containing up to 50.000 stitches. Press the OK button to close the pop-up and select another design.

### **Design Includes Elements That Cannot Be Opened**

Some designs may consist of several designs or contain other elements that cannot be opened. Use your complimentary embroidery intro software to re-save the design as a combined design.

### **Stop Command in Design**


This pop-up will appear when there is a programmed stop in the design. The machine will stop. Press OK to confirm and continue embroidering.

# 7 Maintenance

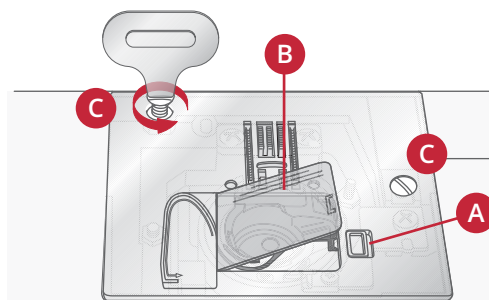
## Cleaning the Machine

To keep your sewing machine operating well, clean it often. No lubrication (oiling) is needed. Wipe the exterior surface of your machine with a soft cloth to remove any dust or lint built up. Wipe the graphic display with a clean, soft and damp cloth.

## Cleaning the Bobbin Area


 Lower the feed teeth and turn off the machine.

Remove the presser foot. Push the bobbin cover release button (A) to the right and remove the bobbin cover (B) and the bobbin. Use the screwdriver for the needle plate to remove the two screws (C) in the needle plate. Lift up the needle plate. Clean the feed teeth and bobbin area with the brush included with the accessories.



## Cleaning Under the Bobbin Area

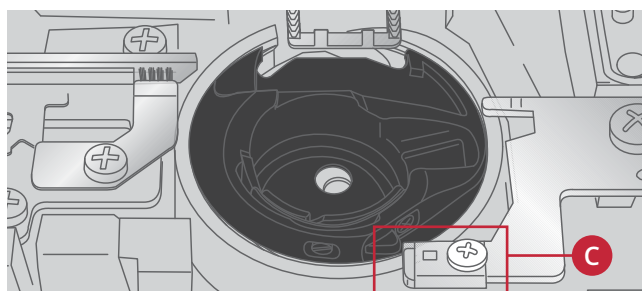
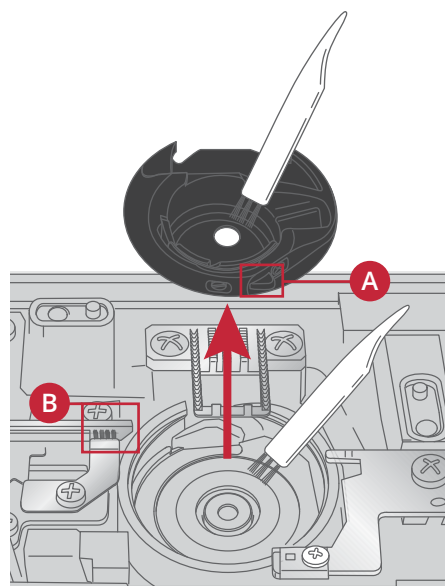
Clean the area under the bobbin case after sewing several projects or any time you notice an accumulation of lint in the bobbin case area. Remove the bobbin case by lifting it up. Clean the area with the brush or a dry cloth.

 Use caution when cleaning around the thread snips knife (B).

Put the bobbin case in place so that the tip (A) fits into the stopper (C).

*Note: Do not blow air into the bobbin case area. The dust and lint will be blown into your machine.*

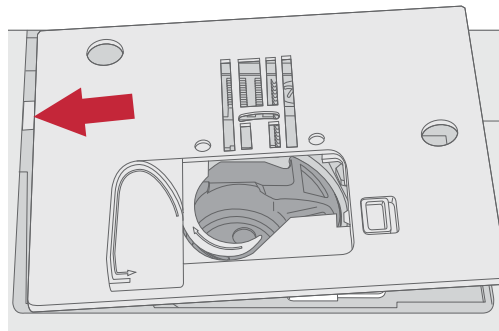
*Note: When using the optional accessory PFAFF® Embroidery Cutwork Needles, it is necessary to clean the bobbin area after each embroidered design/project.*



## Replacing the Needle Plate

With the feed teeth lowered, replace the needle plate and insert and tighten the two needle plate screws.

Replace the bobbin cover.



## Troubleshooting

In this troubleshooting guide you will find solutions to the problems you may have with your machine. For further information please contact your local authorized PFAFF® dealer who will be happy to help you.

**Have your sewing machine serviced regularly by your local authorized PFAFF® dealer!**

If you have followed this trouble shooting information and still have problems, take your sewing machine to your dealer. If there is a specific problem, it is a great help to test sew with your thread on a scrap of your sewing fabric and bring it to your dealer. A sewing sample will often give much better information than words.

### Non-original parts and accessories

The warranty does not cover any defect or damage caused by use of non-original accessories or parts.

## General Problems

Thread snips do not cut the thread?	Remove needle plate and clean lint from bobbin area.
Fabric does not move?	Make sure that the feed teeth are not lowered.
Wrong stitch, irregular or narrow stitch?	Deactivate twin needle or stitch width safety in the settings menu.
The needle breaks?	Insert needle correctly as described, see page 23. Attach correct needle for the fabric.
The machine will not sew?	Check that all plugs are securely plugged into the machine and into the wall socket. Check that the foot control cord is securely plugged into the front socket on the bottom right side of the machine. Push bobbin winder lever to sewing position.
The sewing and embroidery machine function buttons do not respond to touch?	The sockets and function buttons on the machine can be sensitive to static electricity. If the buttons do not respond to touch, turn the machine OFF and then ON again. If the problem persists, contact your local authorized PFAFF® dealer.

## The Machine Skips Stitches

Did you insert the needle properly?	Insert needle correctly as described, see page 23.
Did you insert a wrong needle?	Use needle system 130/705 H.
Is the needle bent or blunt?	Insert a new needle.
Did you thread the machine properly?	Check how the machine is threaded.
Is the correct presser foot used?	Attach correct presser foot.
Is the needle too small for the thread?	Make sure the needle is correct for the thread and fabric.

## Needle Thread Breaks

Did you insert the needle properly?	Insert needle correctly as described, see page 23.
Did you insert a wrong needle?	Use needle system 130/705 H.
Is the needle bent or blunt?	Insert a new needle.
Did you thread the machine properly?	Check how the machine is threaded.
Is the needle too small for the thread?	Change the needle to the proper size for the thread.
Are you using poor thread with slubs or thread which has become dry?	Change to a new higher quality thread purchased from an authorized PFAFF® dealer.
Is a correct spool cap used?	Attach a spool cap of the right size for the actual thread spool.
Is the best spool pin position used?	Try a different spool pin position (vertical or horizontal).
Is the needle plate hole damaged?	Change the needle plate.

## Bobbin Thread Breaks

Did you insert the bobbin properly?	Check the bobbin thread.
Is the needle plate hole damaged?	Change the needle plate.
Is the bobbin area clean?	Clean lint from bobbin area and use only the bobbins approved for this model.
Is the bobbin wound correctly?	Wind a new bobbin.

## The Seam Has Uneven Stitches

Is the thread tension correct?	Check needle thread tension and the threading.
Are you using too thick or slubbed thread?	Change the thread.
Is the bobbin thread evenly wound?	Check bobbin winding.
Is a correct needle used?	Insert a proper needle correctly as described in see page 23.

## The Machine Does Not Feed or Feeds Irregularly

Did you thread the machine properly?	Check how the machine is threaded.
Has sewing lint collected between the feed teeth?	Remove the needle plate and clean the feed teeth with a brush.
Are the feed teeth raised?	Raise the feed teeth.

## Unable To Sew a Buttonhole

Machine beeps when using the One step buttonhole foot 5 ?	Make sure the accessory tray is attached to the machine and the buttonhole lever is lowered all the way down. Lower the presser foot gently.
---	--

## The Embroidery Design is Distorted

Is the fabric hooped properly?	The fabric must be tightly hooped.
Is the inner embroidery hoop completely inserted in the outer embroidery hoop?	Hoop the fabric in such a way that the inner hoop always exactly matches the outer hoop.



## The Embroidery Design has Puckered

Did you stabilize your fabric sufficiently?	Ensure you use the proper stabilizer for your technique or fabric type.
---	---

## The Machine Will Not Embroider

Is the embroidery unit attached?	Make sure that the embroidery unit is properly attached into the socket.
Is the wrong hoop attached?	Slide on the correct hoop.

## Technical Specification

### Sewing Machine

Rated voltage	100–240V ~ 50–60Hz
Nominal consumption	55W
Light	LED
Sewing speed	800 rpm maximum
<b>Machine dimensions:</b>	
Length (mm)	480
Width (mm)	193
Height (mm)	300
Net weight (kg)	13

### Foot Control

Model	C-9000
Rated voltage	DC 15V, max. 3mA

*The technical specifications and this owner's manual can be changed without prior notice.*





You have purchased a modern, updatable sewing and embroidery machine. As we regularly release software updates, it is possible that there may be some differences between the machine software and the software described in the User's Guide. Consult your local Authorized PFAFF® retailer, and be sure to visit our website at [www.pfaff.com](http://www.pfaff.com) for the latest updates of the software and the User's Guide.

We reserve the right to change the machine equipment and the assortment of accessories without prior notice, or make modifications to the performance or design. Such modifications, however, will always be to the benefit of the user and the product.

## INTELLECTUAL PROPERTY

AMBITION, CREATIVE, IDT, PFAFF, and PERFECTION STARTS HERE are trademarks of KSIN Luxembourg II, S.ar.l.



Please note that on disposal, this product must be safely recycled in accordance with relevant National legislation relating to electrical/electronic products. Do not dispose of electrical appliances as unsorted municipal waste, use separate collection facilities. Contact your local government for information regarding the collection systems available. When replacing old appliances with new ones, the retailer may be legally obligated to take back your old appliance for disposal free of charge.

If electrical appliances are disposed of in landfills or dumps, hazardous substances can leak into the groundwater and get into the food chain, damaging your health and well-being.

### Manufacturer

VSM GROUP AB, SVP Worldwide

Soldatorpsgatan 3, SE-55474, Jonkoping, SWEDEN

**PFAFF**  
Perfection starts here.™

**160**  
Y E A R  
ANNIVERSARY



[www.pfaff.com](http://www.pfaff.com)