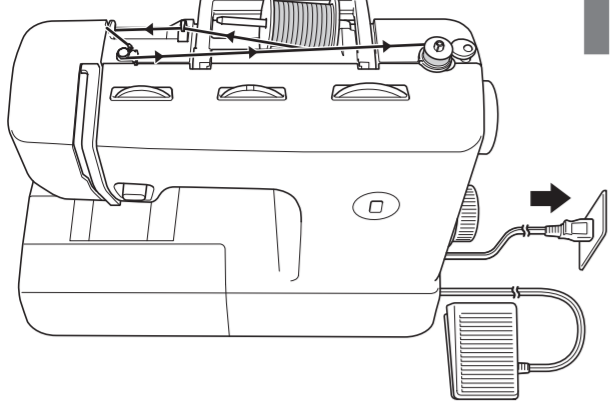




View this machine and more at:

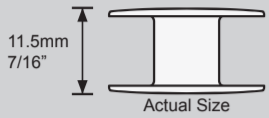
<https://www.thesewingstudio.co.uk>

Lower Threading



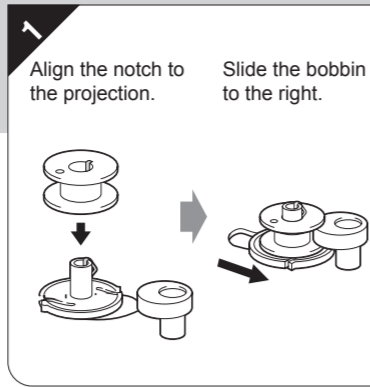
CAUTION

Be sure to use the correct bobbin.



CAUTION

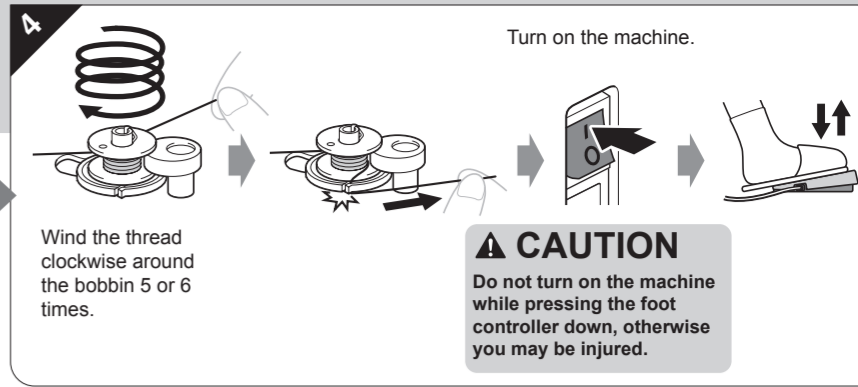
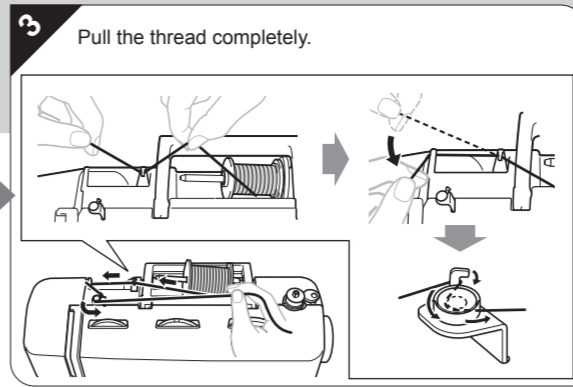
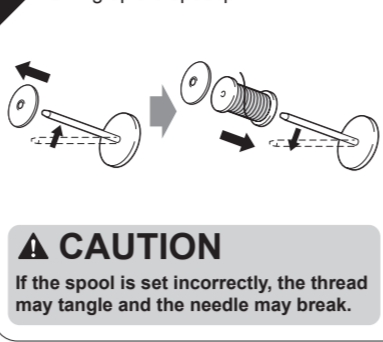
Wind the bobbin properly, or the thread tension may loosen, and the needle may break.



CAUTION

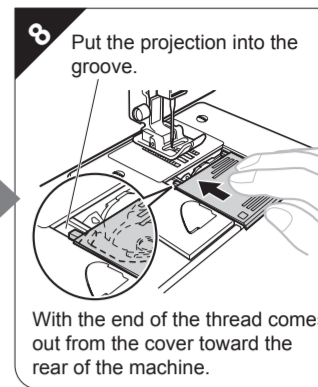
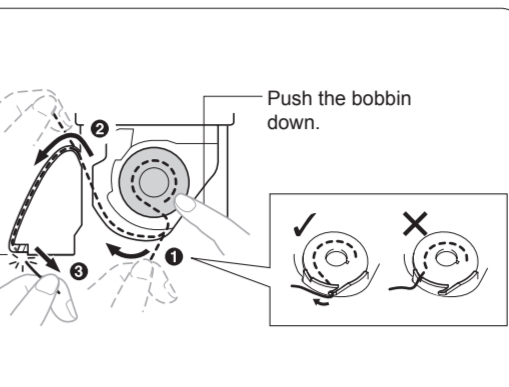
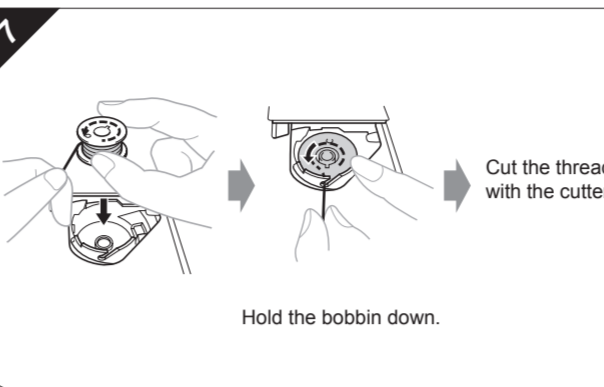
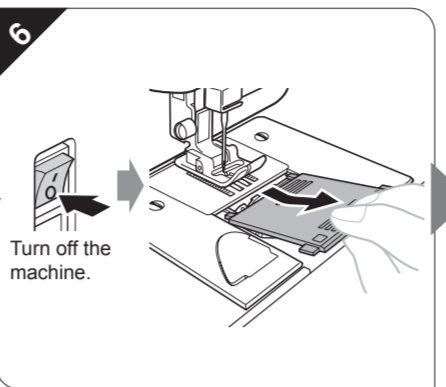
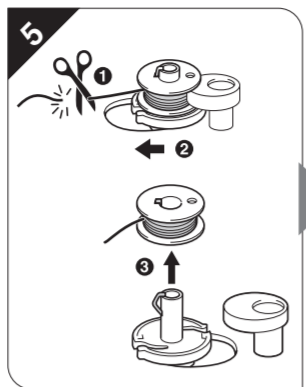
If the spool is set incorrectly, the thread may tangle and the needle may break.

Swing up the spool pin.

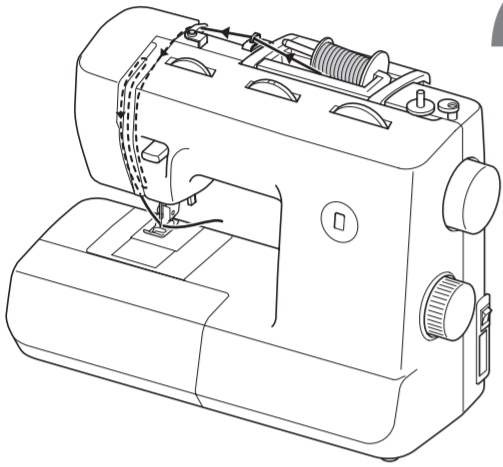


CAUTION

Do not turn on the machine while pressing the foot controller down, otherwise you may be injured.

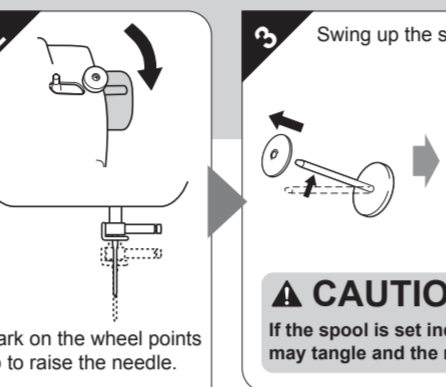
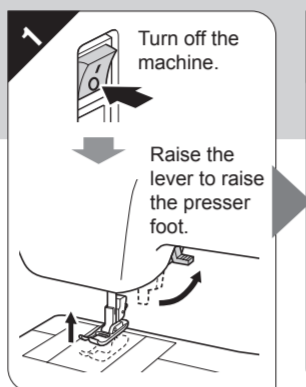


Upper Threading



CAUTION

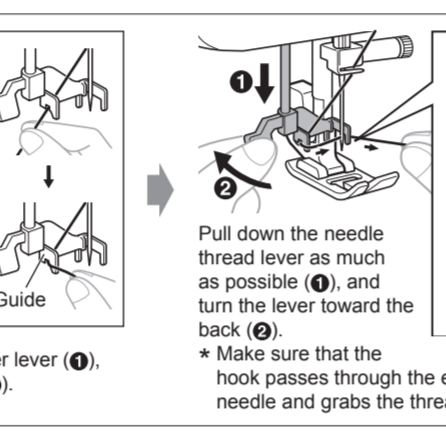
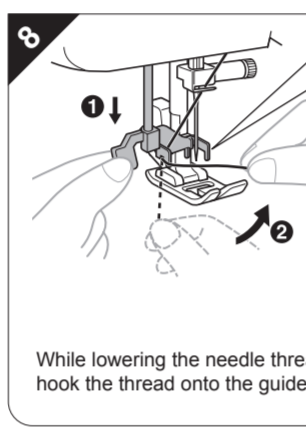
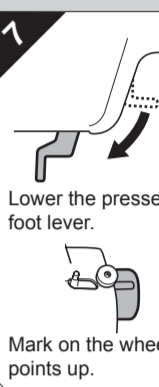
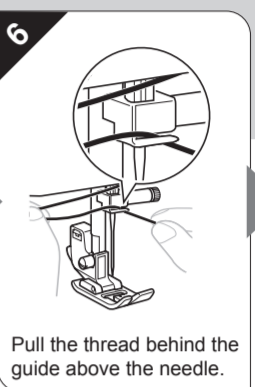
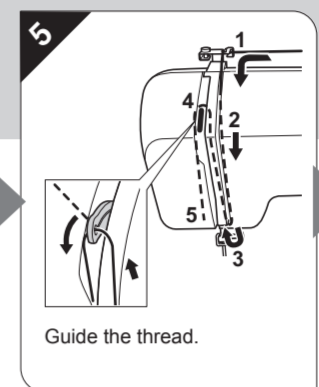
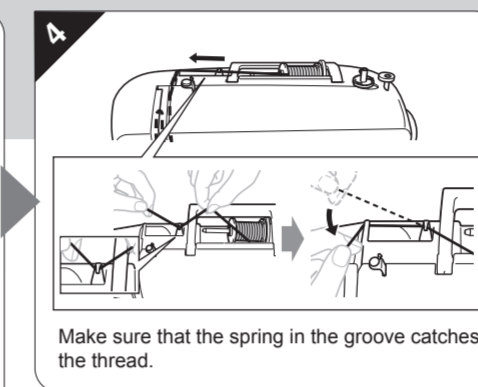
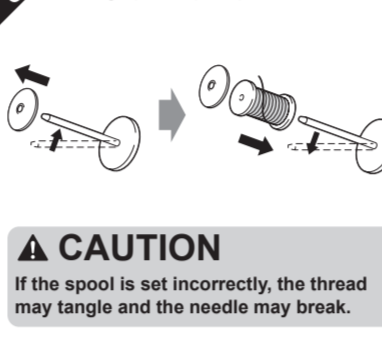
If the upper threading is not correct, the thread may become tangled or the needle may bend or break.



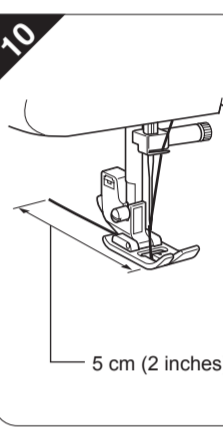
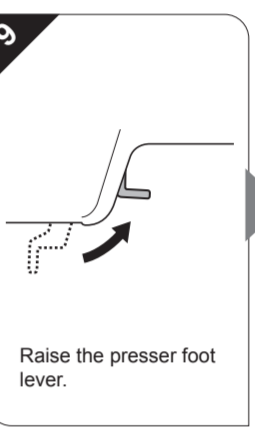
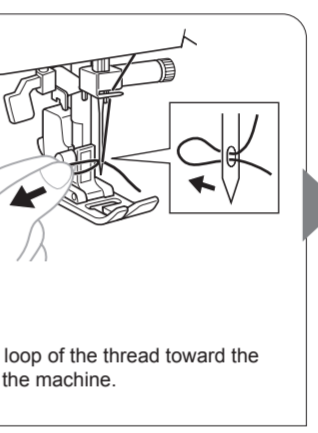
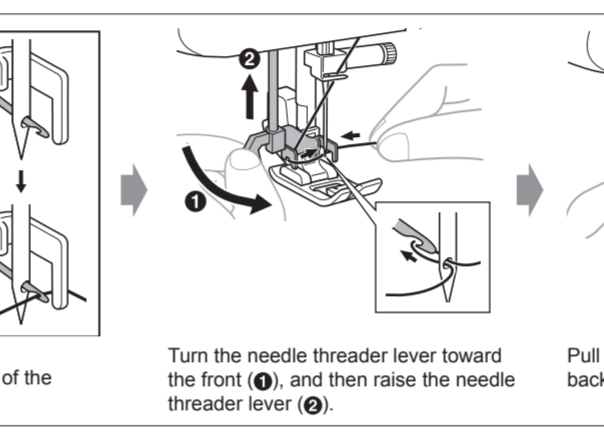
CAUTION

If the spool is set incorrectly, the thread may tangle and the needle may break.

Swing up the spool pin.



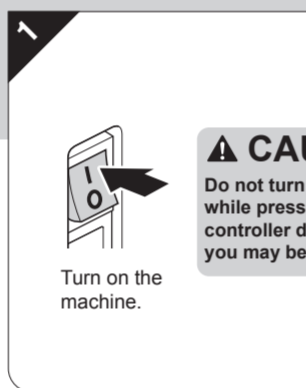
* Make sure that the hook passes through the eye of the needle and grabs the thread.



Start sewing - Straight Stitch

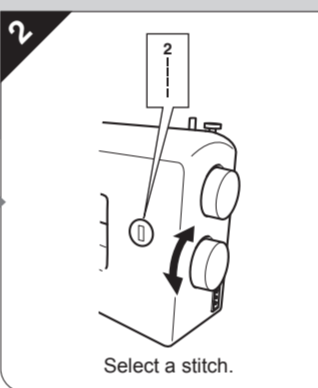
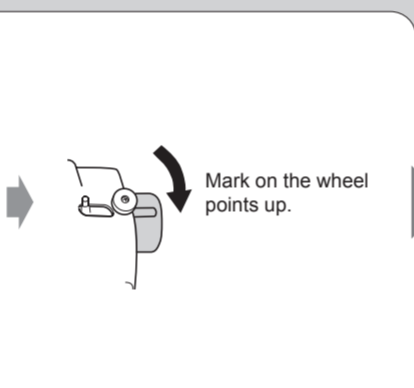
CAUTION

- To avoid being injured, watch the needle carefully while you are using the machine. Keep your hands away from moving parts.
- Do not stretch or pull the fabric during sewing, otherwise the needle may be damaged and you may be injured.
- Do not use bent or broken needles, otherwise you may be injured.
- Take care that the needle does not hit basting pins or other objects during sewing. The needle may break and you may be injured.
- Always use the correct presser foot. If you use the wrong presser foot, the needle may hit the presser foot and bend or break and you may be injured.
- When you turn the handwheel by hand, always turn it toward you (counterclockwise). Turning it the other way may cause the thread to tangle and damage the needle or fabric, and you may be injured.
- Do not start sewing without placing the fabric under the presser foot, otherwise the presser foot may be damaged.



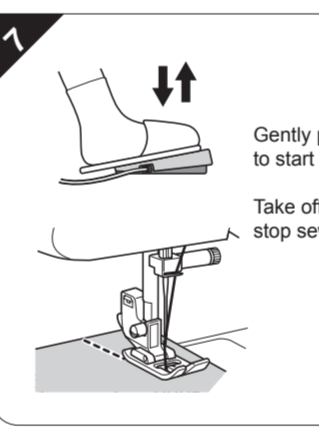
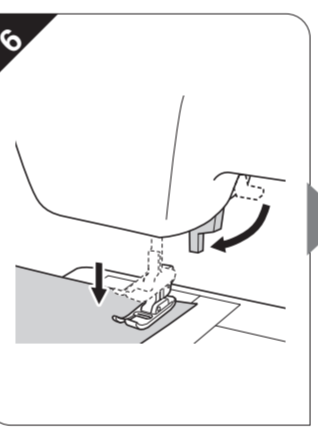
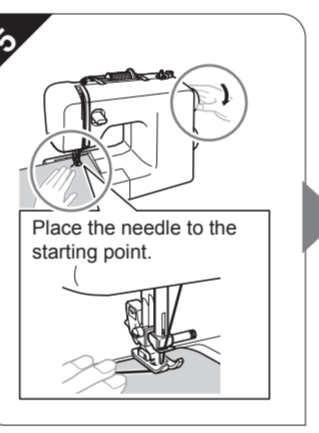
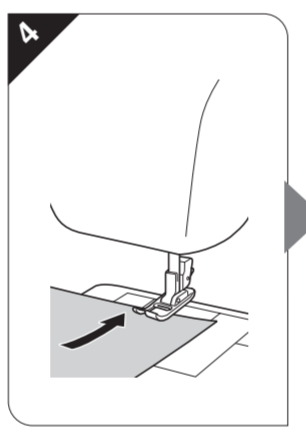
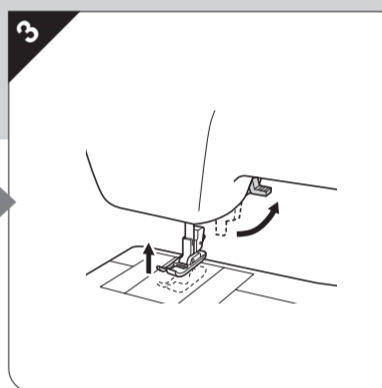
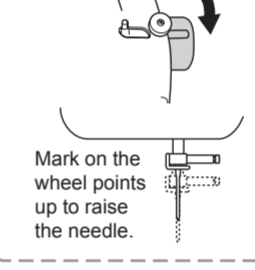
CAUTION

Do not turn on the machine while pressing the foot controller down, otherwise you may be injured.



For stretch stitching (When sewing with the SS pattern)

Set to SS / SS1 or SS2.

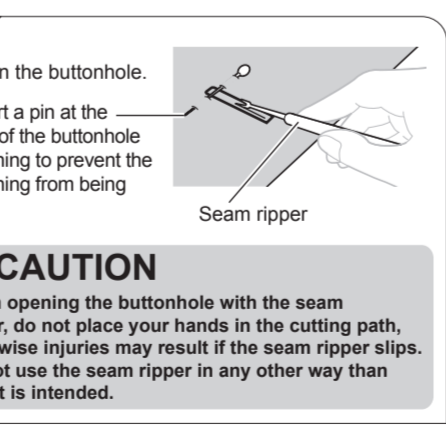
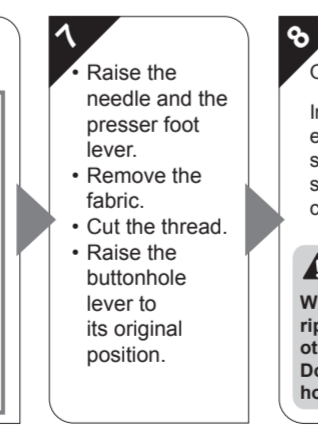
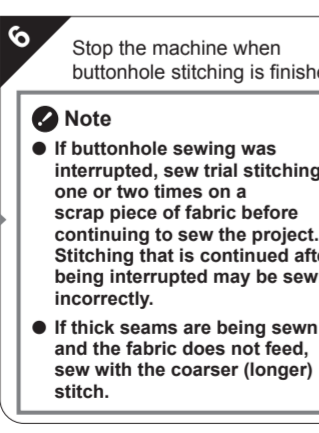
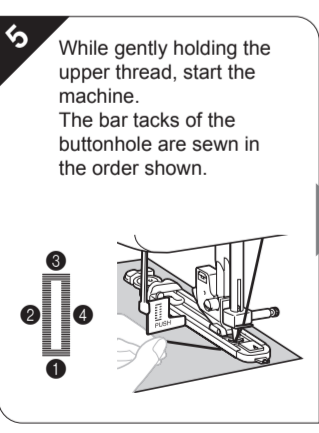
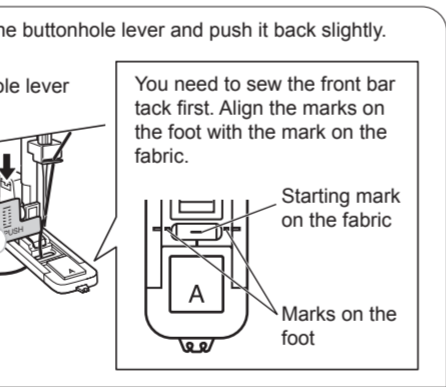
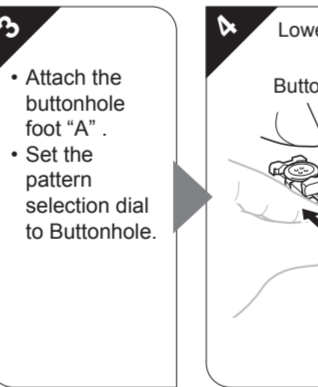
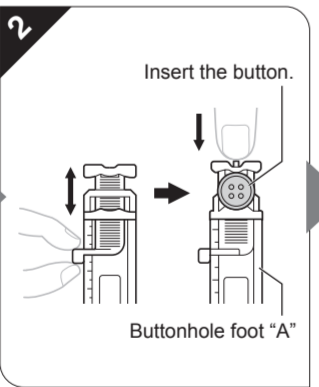
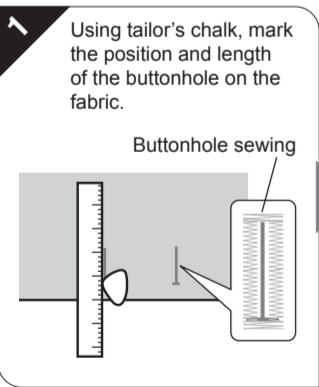


Sewing Buttonholes

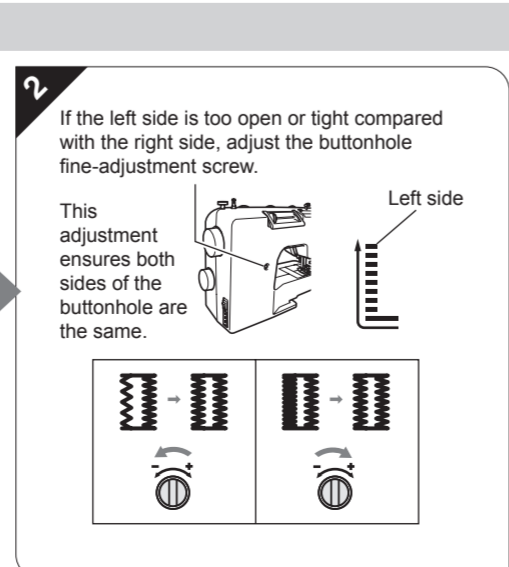
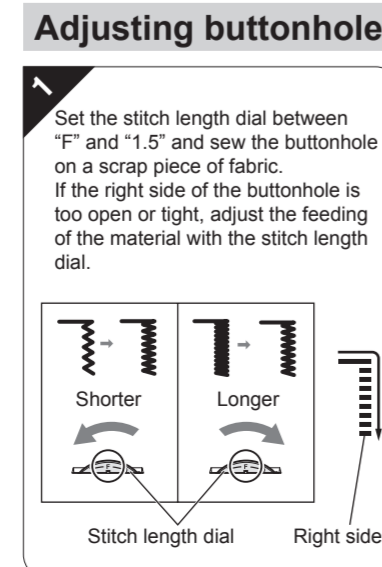
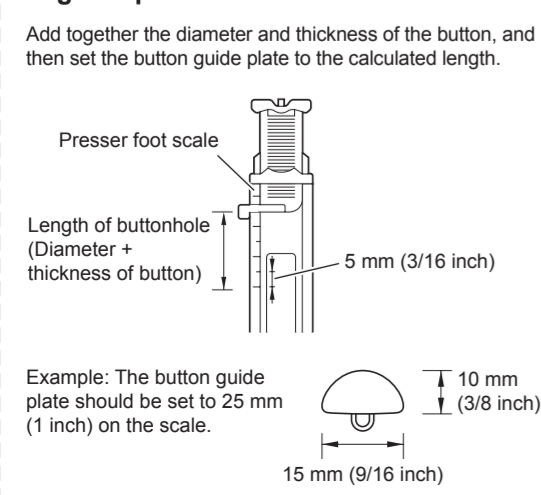
CAUTION

Always turn off the machine before replacing the presser foot. Otherwise, injuries may occur if the foot controller is accidentally pressed and the machine starts sewing.

Making a buttonhole



Adjusting buttonholes



Maintenance

Restrictions on oiling

In order to prevent damaging this machine, it must not be oiled by the user. This machine was manufactured with the necessary amount of oil applied to ensure correct operation, making periodic oiling unnecessary. If problems occur, such as difficulty turning the handwheel or an unusual noise, immediately stop using the machine, and contact your authorized Brother Service Center or the nearest authorized Brother Service Center.

Precautions on storing the machine

Do not store the machine in any of the locations described below, otherwise damage to the machine may result, for example, rust caused by condensation.

- Exposed to extremely high temperatures
- Exposed to extremely low temperatures
- Exposed to extreme temperature changes
- Exposed to high humidity or steam
- Near a flame, heater or air conditioner
- Outdoors or exposed to direct sunlight
- Exposed to extremely dusty or oily environments

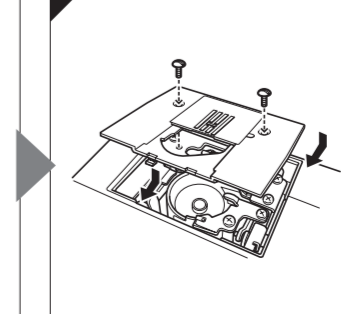
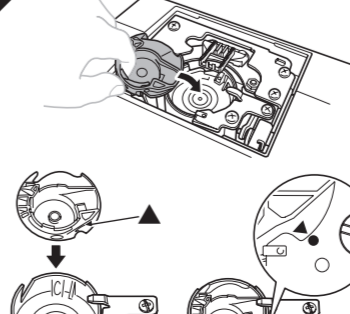
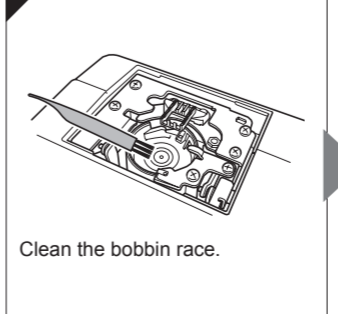
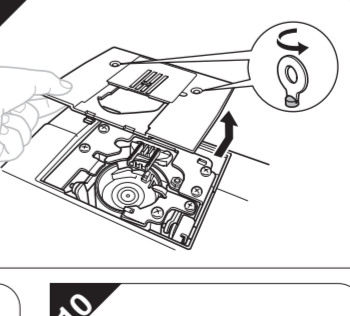
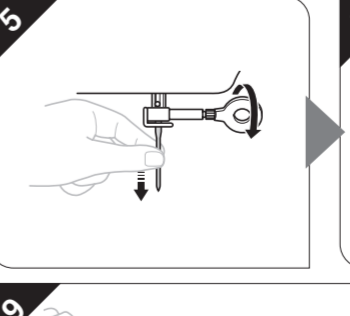
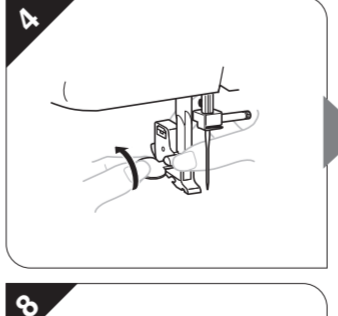
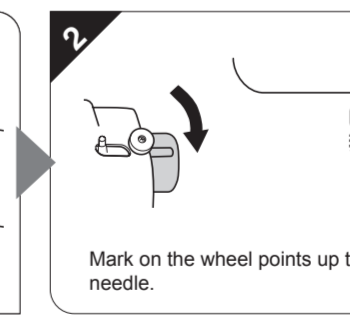
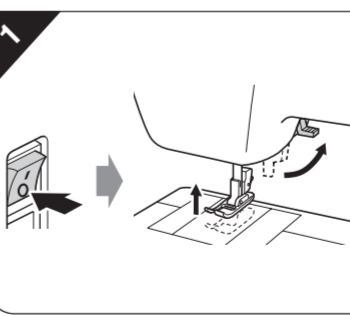
Note

In order to extend the life of this machine, periodically turn it on and use it. Storing this machine for an extended period of time without using it may reduce its efficiency.

Cleaning

CAUTION

Make sure you unplug the machine before you clean it, otherwise you risk getting an electric shock or being injured.



CAUTION

Never use a bobbin case that is scratched; otherwise the upper thread may become tangled, the needle may break, or sewing performance may suffer. For a new bobbin case, contact your nearest authorized Brother Service Center. Make sure that you fit the bobbin case properly, otherwise the needle may break.