



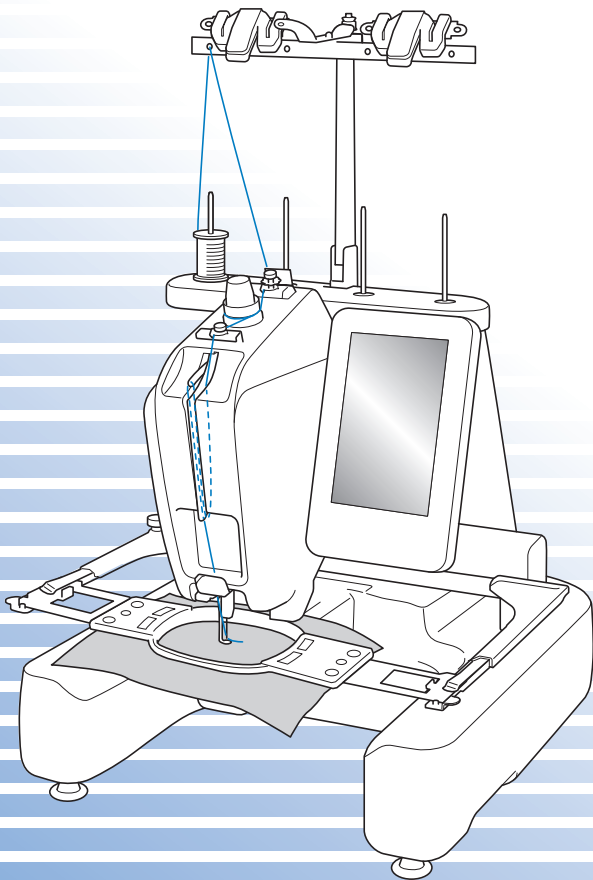
View this machine and more at:

<https://www.thesewingstudio.co.uk>

Operation Manual

Embroidery Machine

Product Code:882-T51



Be sure to read this document before using the machine.
We recommend that you keep this document nearby for future reference.

Trademarks

IMPORTANT:

READ BEFORE DOWNLOADING, COPYING, INSTALLING OR USING.

By downloading, copying, installing or using the software you agree to this license. If you do not agree to this license, do not download, install, copy or use the software.

Intel License Agreement For Open Source Computer Vision Library

Copyright © 2000, Intel Corporation, all rights reserved. Third party copyrights are property of their respective owners.

Redistribution and use in source and binary forms, with or without modification, are permitted provided that the following conditions are met:

- Redistribution's of source code must retain the above copyright notice, this list of conditions and the following disclaimer.
- Redistribution's in binary form must reproduce the above copyright notice, this list of conditions and the following disclaimer in the documentation and/or other materials provided with the distribution.
- The name of Intel Corporation may not be used to endorse or promote products derived from this software without specific prior written permission.

This software is provided by the copyright holders and contributors "as is" and any express or implied warranties, including, but not limited to, the implied warranties of merchantability and fitness for a particular purpose are disclaimed. In no event shall Intel or contributors be liable for any direct, indirect, incidental, special, exemplary, or consequential damages (including, but not limited to, procurement of substitute goods or services; loss of use, data, or profits; or business interruption) however caused and on any theory of liability, whether in contract, strict liability, or tort (including negligence or otherwise) arising in any way out of the use of this software, even if advised of the possibility of such damage.

All information provided related to future Intel products and plans is preliminary and subject to change at any time, without notice.

SD is a registered trademark or a trademark of SD-3C, LLC.

CompactFlash is a registered trademark or a trademark of Sandisk Corporation.

Memory Stick is a registered trademark or a trademark of Sony Corporation.

SmartMedia is a registered trademark or a trademark of Toshiba Corporation.

MultiMediaCard (MMC) is a registered trademark or a trademark of Infineon Technologies AG.

xD-Picture Card is a registered trademark or a trademark of Fuji Photo Film Co. Ltd.

IBM is a registered trademark or a trademark of International Business Machines Corporation.

Microsoft, Windows and Windows Vista are registered trademarks or trademarks of Microsoft Corporation.

Each company whose software title is mentioned in this manual has a Software License Agreement specific to its proprietary programs.

All other brands and product names mentioned in this manual are registered trademarks of their respective companies. However, the explanations for markings such as ® and ™ are not clearly described within the text.

Introduction

Thank you for purchasing this embroidery machine. Before using this machine, carefully read the "IMPORTANT SAFETY INSTRUCTIONS", and then study this manual for the correct operation of the various functions.

In addition, after you have finished reading this manual, store it where it can quickly be accessed for future reference.

IMPORTANT SAFETY INSTRUCTIONS

Please read these safety instructions before attempting to use the machine.

⚠ DANGER - To reduce the risk of electric shock:

- 1** Always unplug the machine from the electrical outlet immediately after using, when cleaning, when making any user servicing adjustments mentioned in this manual, or if you are leaving the machine unattended.

⚠ WARNING - To reduce the risk of burns, fire, electric shock, or injury to persons:

- 2** Always unplug the machine from the electrical outlet when lubricating it or when making any other user servicing adjustments mentioned in the operation manual.
 - To unplug the machine, switch the machine to the symbol "O" position to turn it off, then grasp the plug and pull it out of the electrical outlet. Do not pull on the cord.
 - Plug the machine directly into the electrical outlet. Do not use an extension cord.
 - Always unplug your machine if the power is cut.
- 3** Electrical Hazards:
 - This machine should be connected to an AC power source within the range indicated on the rating label. Do not connect it to a DC power source or inverter. If you are not sure what kind of power source you have, contact a qualified electrician.
 - This machine is approved for use in the country of purchase only.
- 4** Never operate this machine if it has a damaged cord or plug, if it is not working properly, if it has been dropped or damaged, or water is spilled on the unit. Return the machine to the nearest authorized Brother dealer or service center for examination, repair, electrical or mechanical adjustment.
 - To avoid electric shock or fire; do not use a damaged power supply plug or loose electrical outlet, and ensure that the power supply plug is fully inserted and secure.
 - While the machine is stored or in use if you notice anything unusual, such as an odor, heat, discoloration or deformation, stop using the machine immediately and unplug the power cord.
 - When transporting the machine, be sure to lift it from the bottom positions. Lifting the machine by any other part may damage the machine or result in the machine falling, which could cause injuries.
 - When lifting the machine, be careful not to make any sudden or careless movements, otherwise you may injure your back or knees.
 - While the machine is being transported, be careful not to touch the operation panel, thread guides or any other part, otherwise injuries may result.

5 Always keep your work area clear:

- Never operate the machine with any air openings blocked. Keep ventilation openings of the machine free from the build up of lint, dust, and loose cloth.
- Do not use extension cords. Plug the machine directly into the electrical outlet.
- Never drop or insert any object into any opening.
- Keep fingers out of all machine openings, such as near the carriage, otherwise injuries may result.
- Do not operate where aerosol (spray) products are being used or where oxygen is being administered.
- Do not use the machine near a heat source, such as a stove or iron; otherwise, the machine, power cord or garment being embroidered may ignite, resulting in fire or an electric shock.
- Do not use this machine near an open flame; the movement of the embroidery frame could cause the garment being embroidered to catch fire.
- Do not place this machine on an unstable surface, such as an unsteady or slanted table, otherwise the machine may fall, resulting in injuries.

6 Special care is required when embroidering:

- Always pay close attention to the needle. Do not use bent or damaged needles.
- Keep fingers away from all moving parts. Special care is required around the machine needle.
- While the machine is in operation, keep your hands away from all the moving parts, otherwise injuries may result.
- Switch the machine to the symbol “O” position to turn it off when making any adjustments in the needle area, such as changing the needle.
- Do not use a damaged or incorrect needle plate, as it could cause the needle to break.

7 This machine is not a toy:

- Your close attention is necessary when the machine is used by or near children.
- This machine is not intended for use by young children or infirm persons without supervision.
- Young children should be supervised to ensure that they do not play with this machine.
- Do not use the included scissors or seam ripper in any other way than how they are intended. In addition, when opening a hole with the seam ripper, do not place your hands or fingers in the cutting path, otherwise injuries may result if the seam ripper slips.
- The plastic bag that this machine was supplied in should be kept out of the reach of children or disposed of. Never allow children to play with the bag due to the danger of suffocation.
- Do not use outdoors.

8 For a longer service life:

- When storing this machine, avoid direct sunlight and high humidity locations. Do not use or store the machine near a space heater, iron, halogen lamp, or other hot objects.
- Use only neutral soaps or detergents to clean the case. Benzene, thinner, and scouring powders can damage the case and machine, and should never be used.
- Always consult the operation manual when replacing or installing any assemblies, needle, or other parts to assure correct installation.

9 For repair or adjustment:

- Do not try to disassemble, repair or alter this machine in any way, otherwise a fire, electric shock or injuries may result.
- If the light unit is damaged, it must be replaced by an authorized Brother dealer.
- In the event a malfunction occurs or adjustment is required, first follow the troubleshooting table in the back of the operation manual to inspect and adjust the machine yourself. If the problem persists, please consult your local authorized Brother dealer.

Use this machine only for its intended use as described in the manual.

Use accessories recommended by the manufacturer as contained in this manual.

Use only the interface cable (USB cable) included with this machine.

The contents of this manual and specifications of this product are subject to change without notice.

For additional product information and updates, visit our website at www.brother.com

SAVE THESE INSTRUCTIONS

This machine is intended for household use.

FOR USERS IN COUNTRIES EXCEPT EUROPEAN COUNTRIES


This appliance is not intended for use by persons (including children) with reduced physical, sensory or mental capabilities, or lack of experience and knowledge, unless they have been given supervision or instruction concerning use of the appliance by a person responsible for their safety. Children should be supervised to ensure that they do not play with the appliance.

FOR USERS IN EUROPEAN COUNTRIES

This appliance can be used by children aged from 8 years and above and persons with reduced physical, sensory or mental capabilities or lack of experience and knowledge if they have been given supervision or instruction concerning use of the appliance in a safe way and understand the hazards involved. Children shall not play with the appliance. Cleaning and user maintenance shall not be made by children without supervision.

FOR USERS IN THE UK, EIRE, MALTA AND CYPRUS ONLY

IMPORTANT


- In the event of replacing the plug fuse, use a fuse approved by ASTA to BS 1362, i.e. carrying the  mark, rating as marked on plug.
- Always replace the fuse cover. Never use plugs with the fuse cover omitted.
- If the available electrical outlet is not suitable for the plug supplied with this equipment, you should contact your authorized Brother dealer to obtain the correct lead.

Warning Labels

The following warning labels are on the machine.
Be sure to observe the precautions described in the labels.

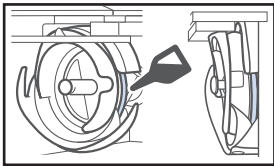
1

	▲CAUTION	▲VORSICHT	▲ATTENTION	▲PRECAUCIÓN	▲CUIDADO
	Carriage may cause injury. Do not put hands in carriage traveling path.	Um Verletzungen mit dem Stickarm zu vermeiden, nicht die Hände in die Nähe des Stickarms halten.	Le chariot peut provoquer des blessures. Ne pas mettre les mains dans le chemin du chariot.	El carro puede provocar lesiones. No poner las manos por donde pasa el carro.	O carro de transporte pode causar ferimentos. Não coloque as mãos sobre o trilho do carro de transporte.

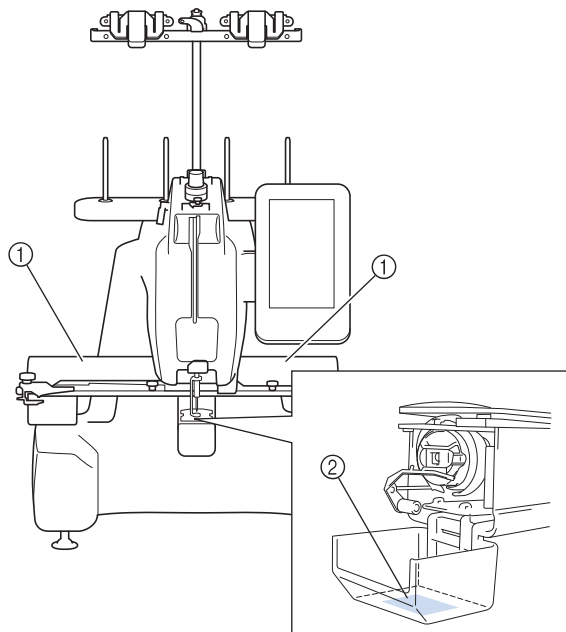
	▲VOORZICHTIG	▲ATTENZIONE	▲ОСТОРОЖНО!	▲注意	▲注意
	De borduurarm kan verwondingen veroorzaken. Houdt uw handen buiten bereik van de borduurarm.	Il carrello potrebbe ferirvi. Non appoggiate la mano nel percorso del carrello.	Движущаяся каретка может быть причиной травмы. Не кладите руки на пути движения каретки.	刺しゅう機のキャリッジや刺しゅう枠が動いているときに、手や物を近づけないでください。 ケガの原因になります。	在绣花机的导轨或绣花框移动时，为避免造成伤害，请不要将手或物品靠近。

2

Label locations



Please put a drop of oil onto the hook once a day before use.



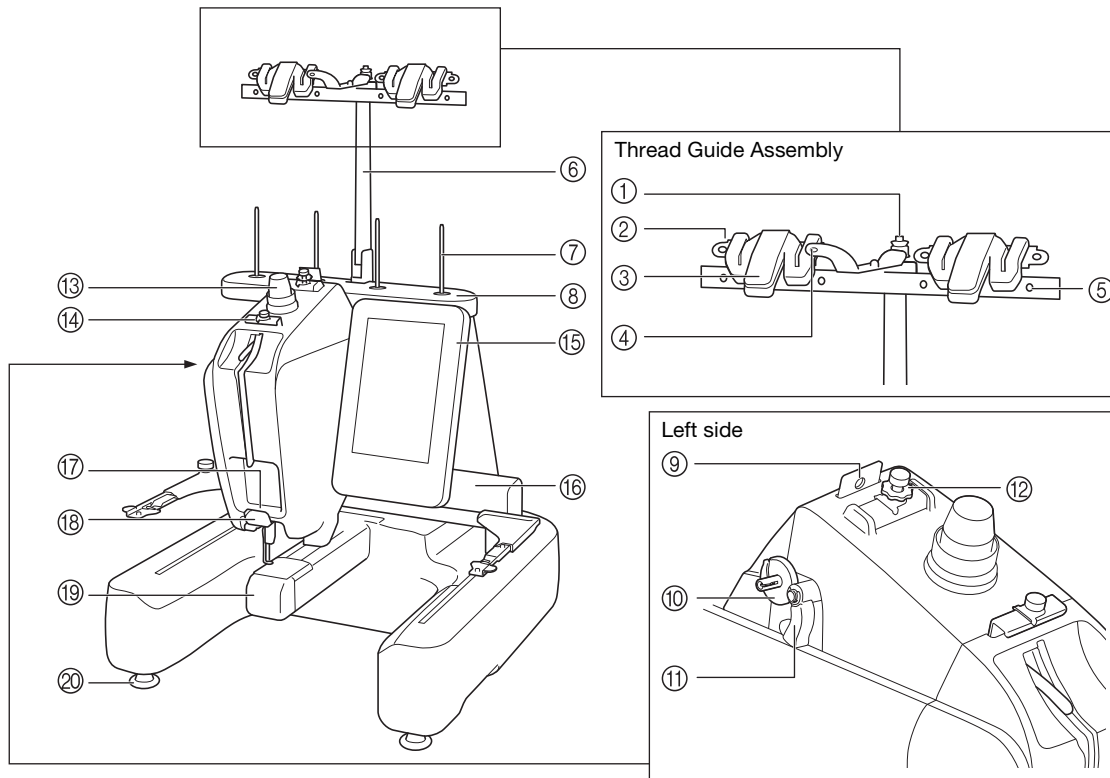
Contents

Introduction	1	Oiling the race	31
IMPORTANT SAFETY INSTRUCTIONS.....	1	Oiling the needle bars	32
Warning Labels	4	Cleaning the hook	33
Names of Machine Parts and Their		Cleaning around the needle plate.....	34
Functions	6	Cleaning the thread guides	34
Front view.....	6	Clean the tension dial.....	35
Right-side/rear view	7	Upgrading Your Machine's Software	36
Operation panel.....	7	Upgrade procedure using USB media.....	36
Accessories	8	Upgrade procedure using computer	37
Included accessories.....	8	What you can find in the detailed operation	
Optional accessories.....	9	manual on Brother Solutions Center	38
Setting Up the Machine	10		
Setup and transporting precautions	10		
Setting up the machine	11		
Preparing the thread guide assembly.....	12		
Attaching the embroidery frame holder.....	12		
Operating Precautions.....	13		
Power supply precautions	13		
Needle precautions.....	14		
Checking the needle	14		
Bobbin precautions.....	15		
Upper thread recommendations.....	15		
Fabric recommendations.....	15		
Display recommendations	15		
Preparing for Starting the Embroidery	16		
Turning on the machine.....	16		
Removing the bobbin case.....	17		
Installing the bobbin	17		
Installing the bobbin case	18		
Winding the bobbin.....	18		
Selecting the embroidery pattern.....	20		
Checking a preview image.....	20		
Editing the pattern.....	21		
Starting the Embroidery	23		
Hooping the fabric in the embroidery frame	23		
Attaching the embroidery frame to the machine.....	24		
Upper threading.....	25		
Threading the needle	27		
Starting embroidering.....	27		
Easily changing the thread spools.....	28		
Removing the embroidery frame	28		
Removing the fabric.....	29		
Turning off the machine.....	29		
Changing the needle.....	30		
Appendix	31		
Checking the thread tension.....	31		

Names of Machine Parts and Their Functions

The names of the various parts of the machine and their functions are described below. Before using the machine, carefully read these descriptions to learn the names of the machine parts.

Front view



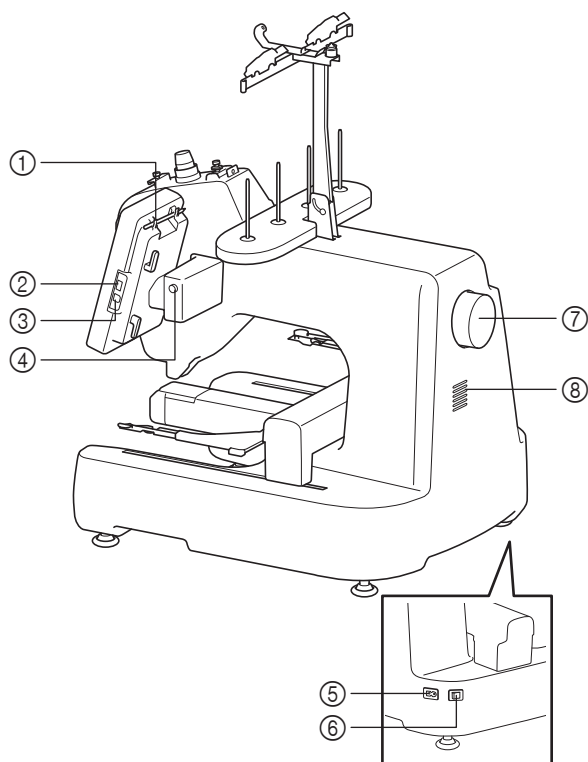
- ① **Bobbin pretension disc**
Pass the thread around the pretension disk when winding the bobbin thread.
- ② **Thread guide hole**
Pass the thread through thread guide hole from front side to back when winding the bobbin thread.
- ③ **Thread cutter/holder**
Cut the thread here when changing the upper thread. Also, you can hold the thread here when not using.
- ④ **Front hole in the thread guide**
Pull the thread toward you placing the thread through the guide hole from top to bottom.
- ⑤ **Thread guide hole**
Place the thread from back to front through the hole when winding the bobbin or threading the machine.
- ⑥ **Thread guide assembly support**
- ⑦ **Spool pin**
- ⑧ **Spool stand**
- ⑨ **Thread guide**
Pass the thread through when threading the machine.
- ⑩ **Bobbin winder seat**
Set the bobbin when bobbin winding.
- ⑪ **Bobbin winding switch**
Set to the left to start bobbin winding.
- ⑫ **Upper thread guide pretension knob**
Adjust the tension of the thread.
- ⑬ **Thread tension knob**
Adjust the tension of the thread.
- ⑭ **Upper thread guide**
Pass the thread through when threading the machine.
- ⑮ **Operation panel**
- ⑯ **Carriage**
Attach the embroidery frame holder to the carriage. When the machine is turned on or when the machine is embroidering, the carriage moves forward, backward, left and right.
- ⑰ **Lower thread guide**
Pass the thread through when threading the machine.
- ⑱ **Thread cutter**
Cuts and holds the thread for needle threading.
- ⑲ **Hook cover/Hook**
Open the hook cover, and then insert the bobbin case into the hook.
- ⑳ **Feet**
Use the feet to level and adjust the height of the machine.



Note

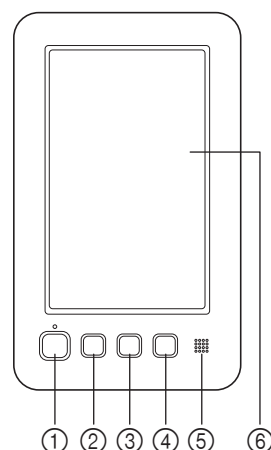
- Circled numbers on the “Thread Guide Assembly” indicate the thread path for winding the bobbin.

Right-side/rear view



- ① **Touch pen holder**
Use the touch pen holder to hold the touch pen when not in use.
- ② **USB port (USB 2.0)**
In order to send patterns from/to USB media, plug the USB media directly into the USB port.
- ③ **USB port for computer**
In order to import/export patterns between a computer and the machine, plug the USB cable into the USB port.
- ④ **Panel angle button**
Press to change the angle of the operation panel. Do not change the angle without pressing this button.
- ⑤ **Power supply plug**
Insert the plug on the power supply cord into the power supply plug.
- ⑥ **Main power switch**
Use the main power switch to turn the machine ON (I) and OFF (O). Do not turn the power on soon after you turn the power off. It is recommended that you wait 5 seconds before turning the power on again.
- ⑦ **Handwheel**
Rotate the handwheel to move the needle up and down. Be sure to rotate the handwheel toward the operation panel (counterclockwise).
- ⑧ **Air vent**
The air vent allows the air surrounding the motor to circulate. Do not cover the air vent while the embroidery machine is being used.

Operation panel



- ① **“Start/Stop” button**
Press the “Start/Stop” button to start or stop the machine. The lighting status and color of the button changes depending on the operation condition of the machine.

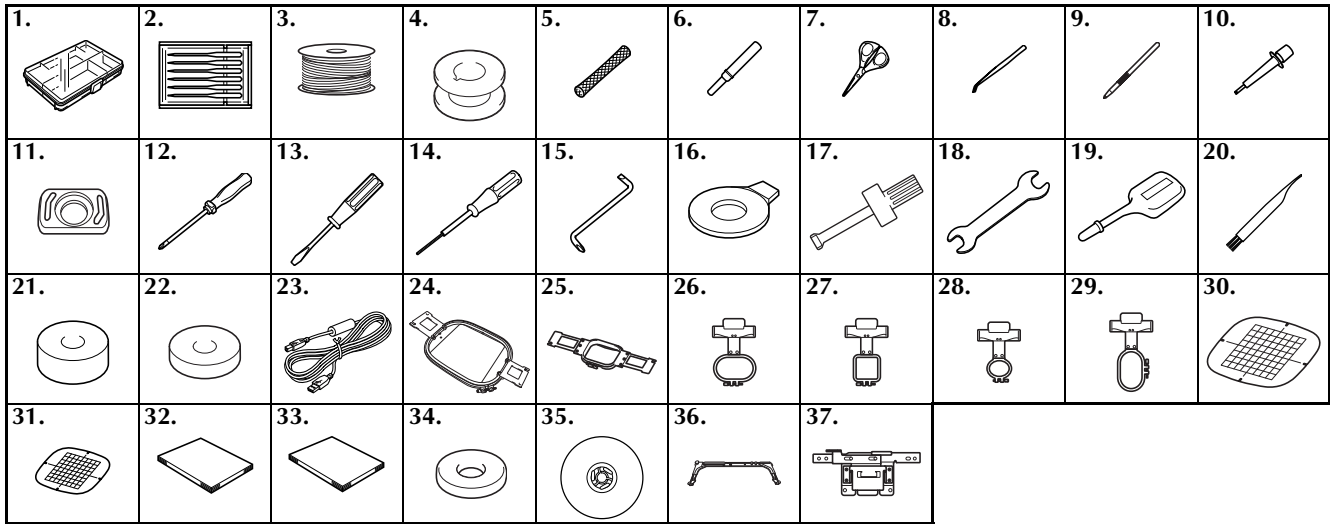
Lit in red	: When the machine cannot start embroidering
Flashing in green	: When the machine can start embroidering
Lit in green	: While the machine is embroidering
Off	: When the machine is turned off
- ② **Needle position button**
Press the needle position button to raise or lower the needle position. Pressing the button twice embroiders one stitch.
- ③ **Thread trimming button**
Press the thread trimming button to trim both the upper and the bobbin threads.
- ④ **“Automatic Threading” button**
Press the automatic needle threading button to thread the needle.
- ⑤ **Speaker**
- ⑥ **LCD (touch panel)**
Touch the keys that appear on the touch panel to select and edit patterns and confirm various information.

Accessories



The accessories listed below are included with this machine. Make sure to use the accessories designed for this machine.

Included accessories

After opening the box, check that the following accessories are included. If any item is missing or damaged, contact your authorized Brother dealer.



No.	Part Name	Part Code
1	Accessory case	XC6482-051
2	Needle set	XC6469-001
3	Prewound bobbin × 5	XC6368-051
4	Metal bobbin × 3	100376-053
5	Spool net × 4	S34455-000
6	Seam ripper	XF4967-001
7	Scissors	XF2052-001
8	Tweezers	XC6542-051
9	Touch pen	XA9940-051
10	Needle changing tool (Threader)	XF2212-001
11	Needle plate spacer	XC6499-151
12	Phillips screwdriver	XC6543-051
13	Standard screwdriver	X55468-051
14	Allen screwdriver	XC5159-051
15	Offset screwdriver	XC6545-051
16	Disc-shaped screwdriver	XC1074-051
17	Screwdriver (large)	XC4237-021
18	Wrench 13 × 10	XC6159-051
19	Oiler	XZ0206-051
20	Cleaning brush	X59476-051
21	Weight (L)	XC5974-151
22	Weight (S)	XC6631-051
23	USB cable	XD1851-051
24	Embroidery frame (extra large) 200 mm (H) × 200 mm (W)	VRTF200: XG3182-001 (Other area)
25	Embroidery frame (medium) 100 mm (H) × 100 mm (W)	PRH100: XC6286-052 (Other area)

No.	Part Name	Part Code
26	Compact frame (70) 41 mm (H) × 70 mm (W)	VRSF70: XG3203-001 (Other area)
27	Compact frame (50) 50 mm (H) × 50 mm (W)	VRSF50: XG3189-001 (Other area)
28	Compact frame (44) 38 mm (H) × 44 mm (W)	VRSF44: XG3186-001 (Other area)
29	Compact frame (Portrait orientation) 33 mm (H) × 75 mm (W)	VRSFV: XG3191-001 (Other area)
30	Embroidery sheet (extra large) 200 mm (H) × 200 mm (W)	XE7171-001
31	Embroidery sheet (medium) 100 mm (H) × 100 mm (W)	XC5759-051
32	Operation manual	This manual
33	Embroidery design guide	XG1506-001
34	Spool mat × 4	XC7134-051
35	Spool cap × 4	130012-054
36	 Embroidery frame holder a	XG1546-001
37	 Embroidery frame holder e	XG2408-001

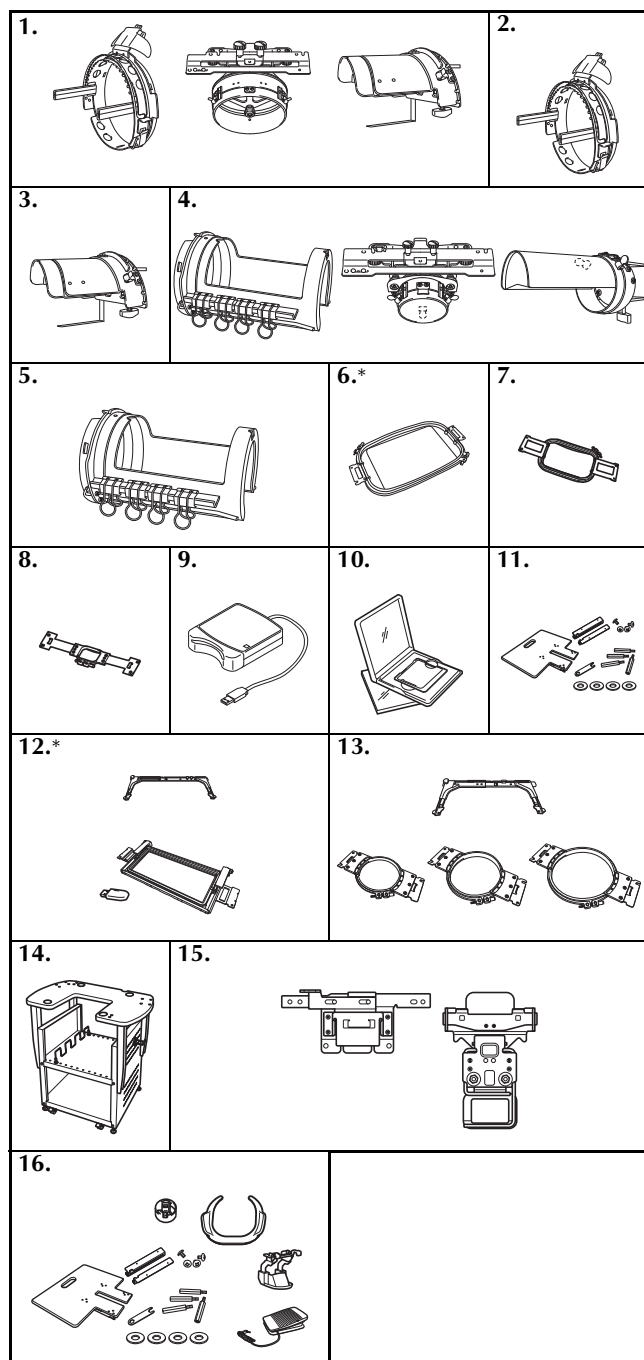


Memo

- The included touch pen can be stored in the touch pen holder on the back of the operation panel. Refer to page 7.

Optional accessories

The following are available as optional accessories to be purchased separately from your authorized Brother dealer.



No.	Part Name	Part Code
1	Advanced cap frame 2 set	PRCF3:XE2158-001 (Other area)
2	Advanced cap frame 2	PRCFH3:XE2162-001 (Other area)
3	Mounting jig	PRCFJ2:XC7611-052 (Other area)
4	Cylinder frame set	PRCL1:XE2166-001 (Other area)
5	Cylinder frame	PRCLH1:XE2170-001 (Other area)

No.	Part Name	Part Code
6	Flat frame 200 mm (H) × 200 mm (W)	VRFF200: XG3184-001 (Other area)
7	Embroidery frame (large) 130 mm (H) × 180 mm (W)	PRH180: XC6285-052 (Other area)
8	Embroidery frame (small) 40 mm (H) × 60 mm (W)	PRH60: XC6287-052 (Other area)
9	Embroidery card reader	SAECR1
10	Embroidery card	-
11	Wide table	VRWT1: XG3193-001 (Other area)
12	Border frame set 100 mm (H) × 180 mm (W) Embroidery frame holder b	VRBF180: XG3205-001 (Other area)
13	Round frame set (Ø160 mm) (Ø130 mm) (Ø100 mm) Embroidery frame holder c	VRRFK1: XG3197-001 (Other area)
14	Embroidery stand	VRPRNSTD: XG3199-001 (Other area)
15	Clamp frame	VRCLP45B: XG3195-001 (Other area)
16	Free motion kit	VRFMKIT1:XG3201-001(Other area)

* We recommend using the optional embroidery table when using the flat frame or border embroidery frame.



Note

- Embroidery cards sold overseas are not compatible with this embroidery machine.
- Visit your nearest authorized Brother dealer for a complete listing of optional accessories and embroidery cards available for your machine.



Memo

- Always use accessories recommended for this machine.
- All specifications are correct at the time of printing. Please be aware that some specifications may change without notice.

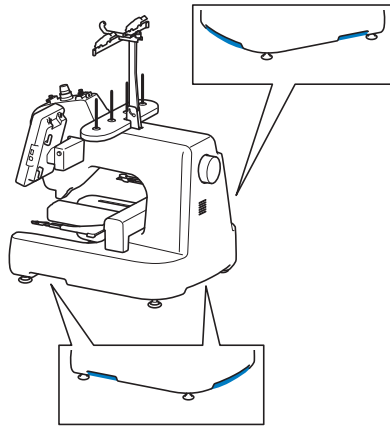
Setting Up the Machine

The procedures for setting up the machine are described below. If the machine is not set up correctly, it may shake or produce loud noises and the embroidery will not be sewn correctly. An optional embroidery stand is also available.

Setup and transporting precautions

⚠ CAUTION

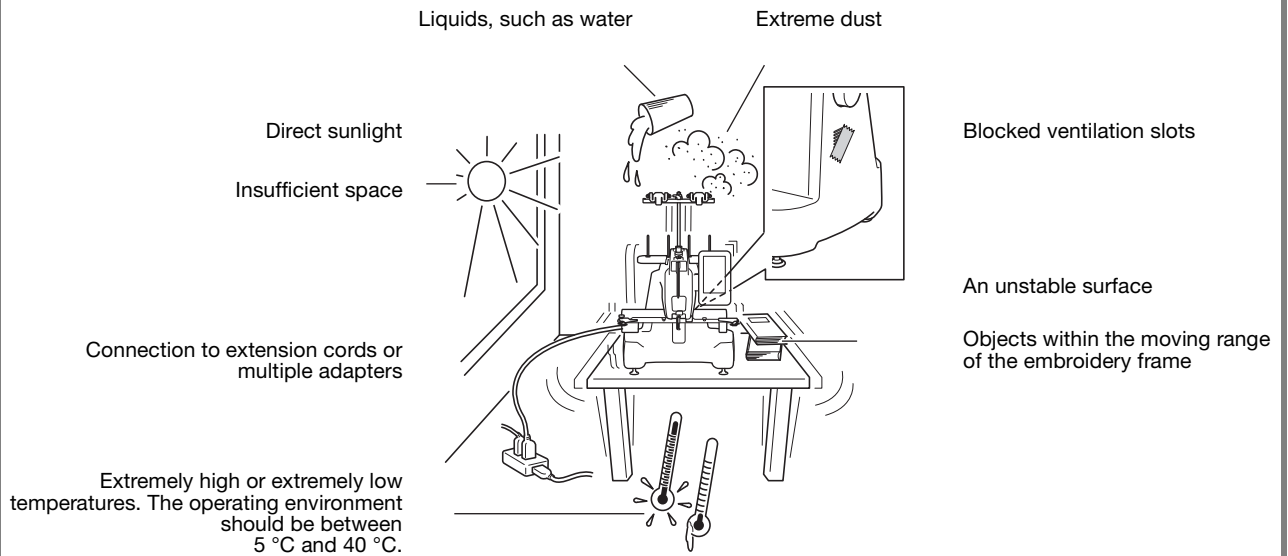
- The temperature of the operating environment should be between 5 °C and 40 °C. If the machine is operated in an environment that is either too cold or too hot, the machine may malfunction.
- Do not use the machine in a location where it will be exposed to direct sunlight, otherwise the machine may malfunction.
- Set up the machine with its four adjustable feet completely in contact with the desk or table, so that the machine is level.
- The machine weight is approximately 31 kg. The transporting or setting up of the embroidery machine should be performed by two people.
- When transporting the machine, be sure to lift it from the bottom at the indicated positions by two people. Lifting the machine from any other area may damage the machine or result in the machine falling, which could cause injuries.



- When lightning occurs, turn off the machine and unplug the power supply cord. Lightning may cause the machine to malfunction.
- Do not plug in the power supply cord until setup of the machine is completed, otherwise injuries may result if the "Start/Stop" button is accidentally pressed and the machine starts sewing.
- When lubricating the machine, wear protective eyeglasses and gloves to prevent the oil or grease from getting into your eyes or on your skin. Do not put the oil or grease into your mouth. Keep the oil and grease out of the reach of children.

⚠ CAUTION

- In order to prevent malfunctions or damage, do not set up the machine in a location exposed to the following conditions.



Setting up the machine

747 mm

More than 50 mm
587 mm
More than 350 mm
More than 150 mm 511 mm More than 150 mm

1

① Loosen the lock nut using the included wrench.

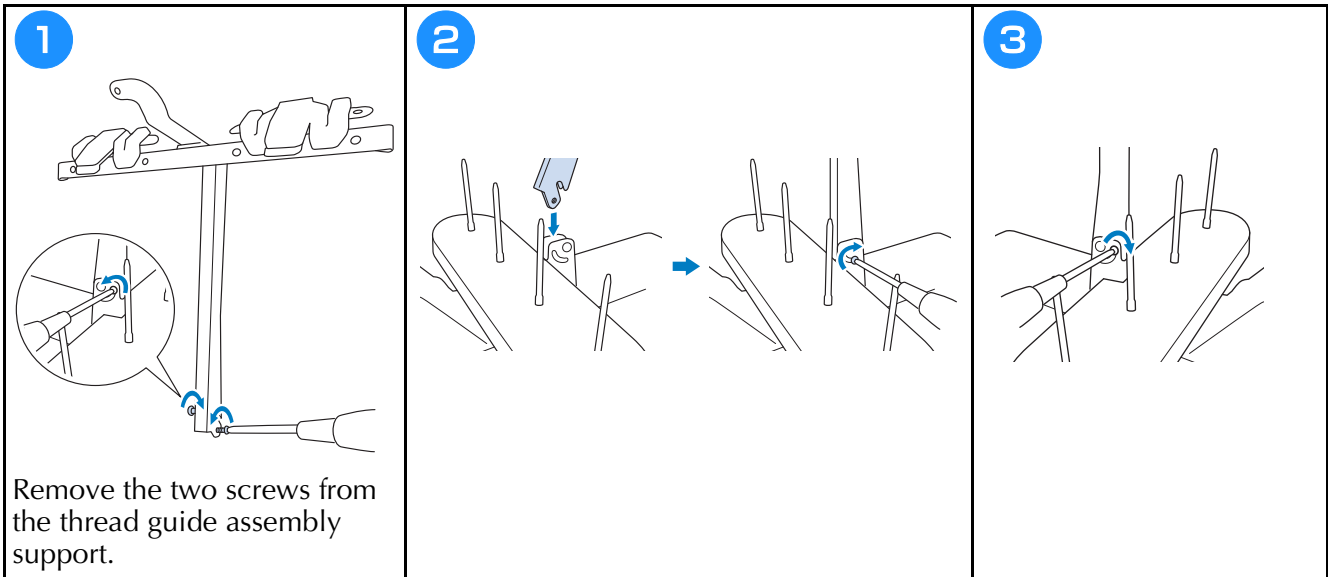
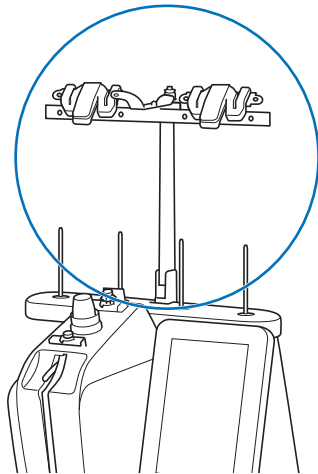
2

② Turn the adjustable foot nut with the included wrench.
① Lengthens the leg.
② Shortens the leg.

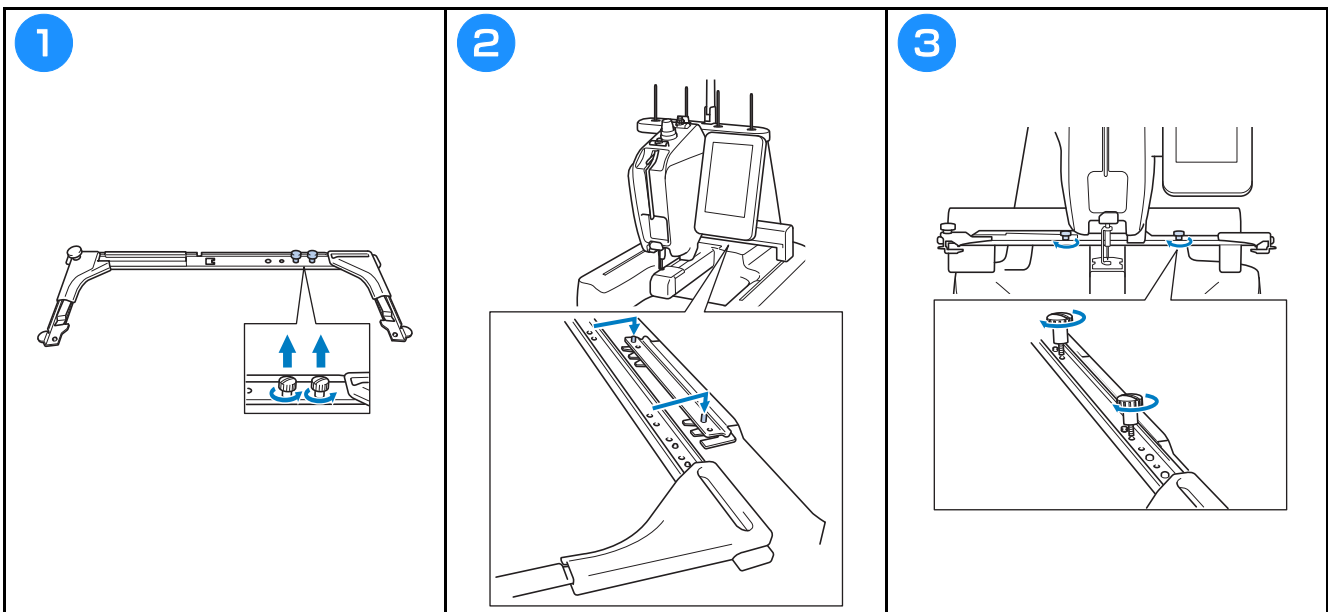
3

③ Tighten the lock nut after adjusting the legs.

Preparing the thread guide assembly



Attaching the embroidery frame holder



Operating Precautions

The necessary points to ensure the correct operation of this machine are described below.

Power supply precautions

Be sure to observe the following precautions concerning the power supply.

WARNING

- Use only regular household electricity for the power source. Using other power sources may result in fire, electric shock, or damage to the machine.
- Make sure that the plugs on the power supply cord are firmly inserted into the electrical outlet and the power supply cord receptacle on the machine. Otherwise, a fire or electrical shock may result.
- Do not insert the plug on the power supply cord into an electrical outlet that is in poor condition.
- If any of the following occur, turn off the embroidery machine and unplug the power supply cord, otherwise a fire, an electric shock or damage to the machine may result.
 - When you are away from the machine.
 - After using the machine.
 - If a power outage occurs while the machine is being operated.
 - If the machine is not operating properly, for example, when there is a loose or cut connection.
 - During electrical storms.

CAUTION

- Use only the power supply cord included with this machine.
- Do not plug this machine in with extension cords or multi-plug adapters with many other appliances plugged into them, otherwise a fire or an electric shock may result.
- Do not plug in or unplug the power supply cord with wet hands, otherwise an electric shock may result.
- When unplugging the power supply cord, be sure to first turn off the machine, and then grasp the plug when unplugging the cord. Pulling on the cord may damage it or result in a fire or an electric shock.
- Do not allow the power supply cord to be cut, damaged, modified, forcefully bent, pulled, twisted, or bundled. In addition, do not place heavy objects on the cord or expose it to heat, otherwise damage to the cord, fire or an electric shock may result. If the power supply cord or its plug is damaged, stop using the machine, and then take the machine to your authorized Brother dealer for repairs before continuing use.
- If the machine is not to be used for a long period of time, unplug the power supply cord, otherwise a fire may result.
- When leaving the machine unattended, either the main switch of the machine should be turned to OFF or the plug must be removed from the socket-outlet.
- When servicing the machine or when removing covers, the machine must be unplugged.

Needle precautions

Be sure to observe the following precautions concerning the correct choice of needle for your machine.

⚠ CAUTION

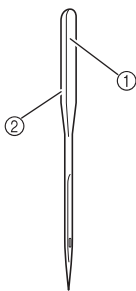
- Your machine is designed to use household embroidery needles. The factory recommended needle is “HAX 130 EBBR” (Organ). Schmetz needles 130/705 H-E may be used as a substitute. Use of any other needles may break the needle or thread or damage the needle-threading mechanism or result in injuries.
- Never use bent needles. Bent needles can easily break, possibly resulting in injuries.

Checking the needle

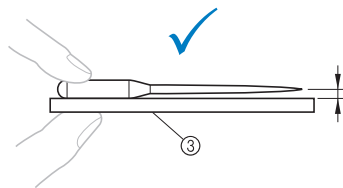
Embroidering with a bent needle is extremely dangerous since the needle may break while the machine is operating.

Place the flat side of the needle on a flat surface and check that the distance between the needle and the flat surface is even. If the needle is bent or the tip of the needle is broken, replace the needle with a new one. (Refer to “Changing the needle” on page 30.)

■ Good needle



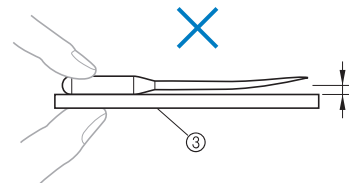
- ① Flat side
- ② Needle type marking



- ③ Flat surface

■ Bad needle

If the distance between the needle and the flat surface is not even, the needle is bent. Do not use a bent needle.

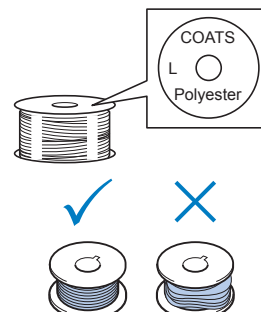


Bobbin precautions

Be sure to observe the following precautions concerning the bobbin.

CAUTION

- Only use prewound bobbin (COATS “L” type/TRU-SEW POLYESTER “Filaments”) or bobbins designed specifically for this machine. Use of any other bobbin may result in injuries or damage to the machine.
- Use a bobbin thread that has been correctly wound, otherwise the needle may break or the thread tension will be incorrect.



Upper thread recommendations

Be sure to observe the following recommendations concerning the upper thread.



Note

- It is recommended that rayon or polyester embroidery thread be used (120 den × 2 / 135 dtex × 2 / 40 weight (in Americas and Europe) / #50 (in Japan)).

Fabric recommendations

Be sure to observe the following recommendations concerning the fabric.



Note

- Your machine can embroider fabric that is up to 1 mm thick. If thicker fabric is embroidered, the needle may bend or break.
- When embroidering overlapping stitches, it is difficult for the needle to penetrate the fabric, possibly resulting in the needle bending or breaking.
- Attach stabilizers to thin or stretch fabrics. (Refer to “Attaching Iron-On Stabilizer (Backing) to Fabric” on the detailed operation manual for information.)
- When embroidering large pieces of fabric, make sure that the fabric is not caught in the carriage.

Display recommendations

Be sure to observe the following recommendations concerning the use of the operation panel display.



Note

- Only touch the display with your finger or included touch pen. Do not use a mechanical pencil, screwdriver or any other hard or sharp object. In addition, do not apply extreme pressure to the display screen, otherwise damage to the display screen may result.

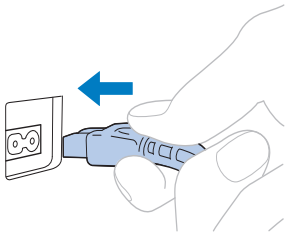
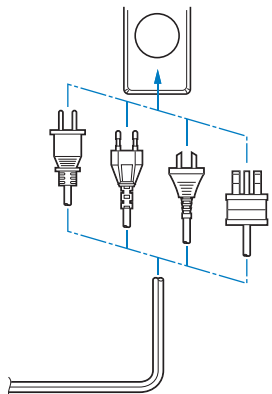
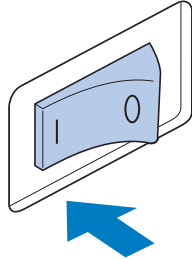
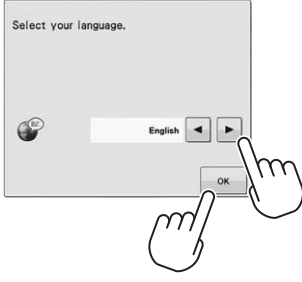
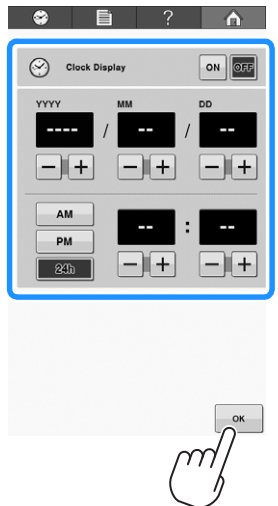
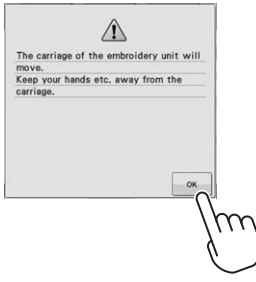
Preparing for Starting the Embroidery

Refer to the detailed operation manual for detailed instructions.

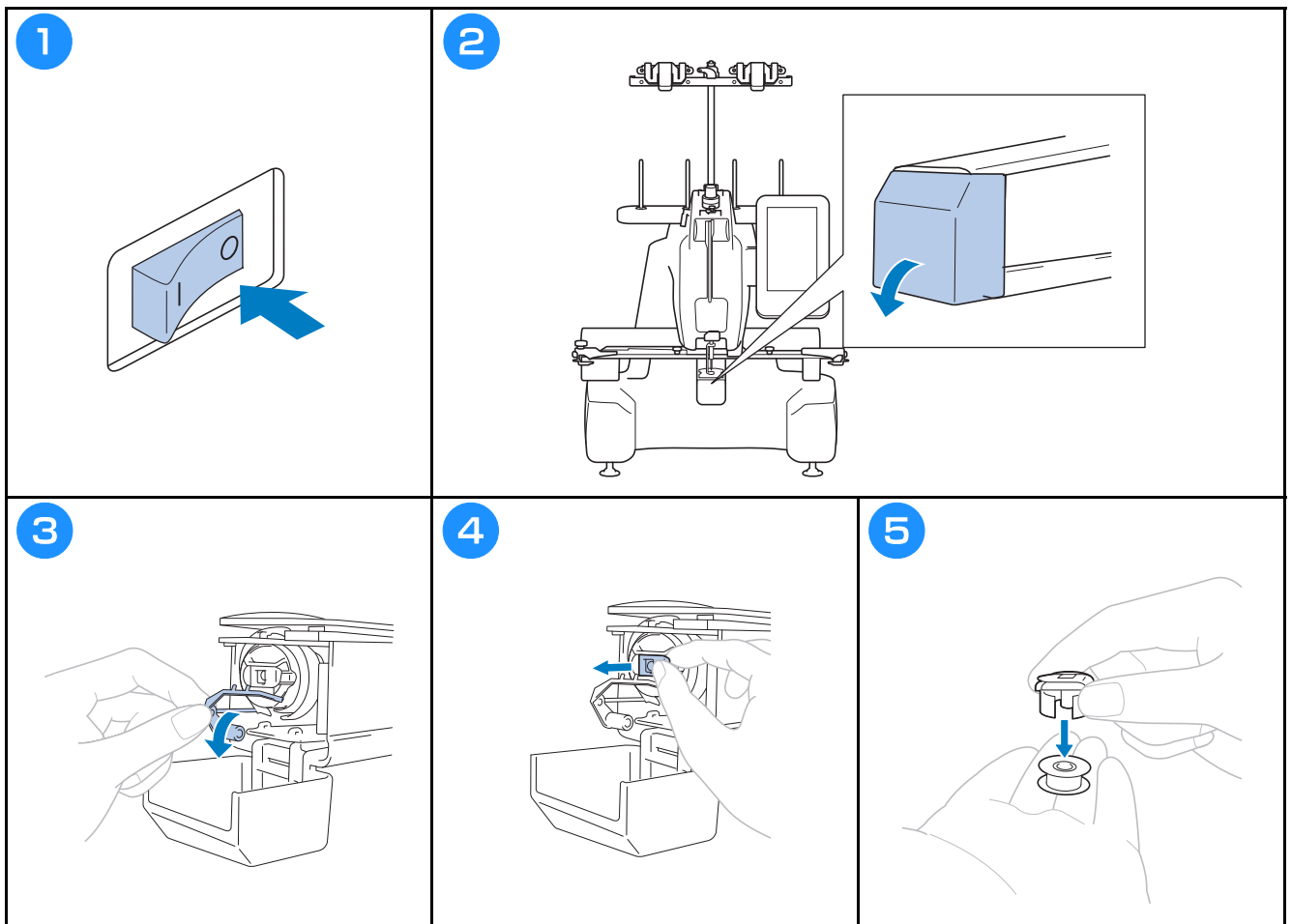
Turning on the machine

⚠ CAUTION

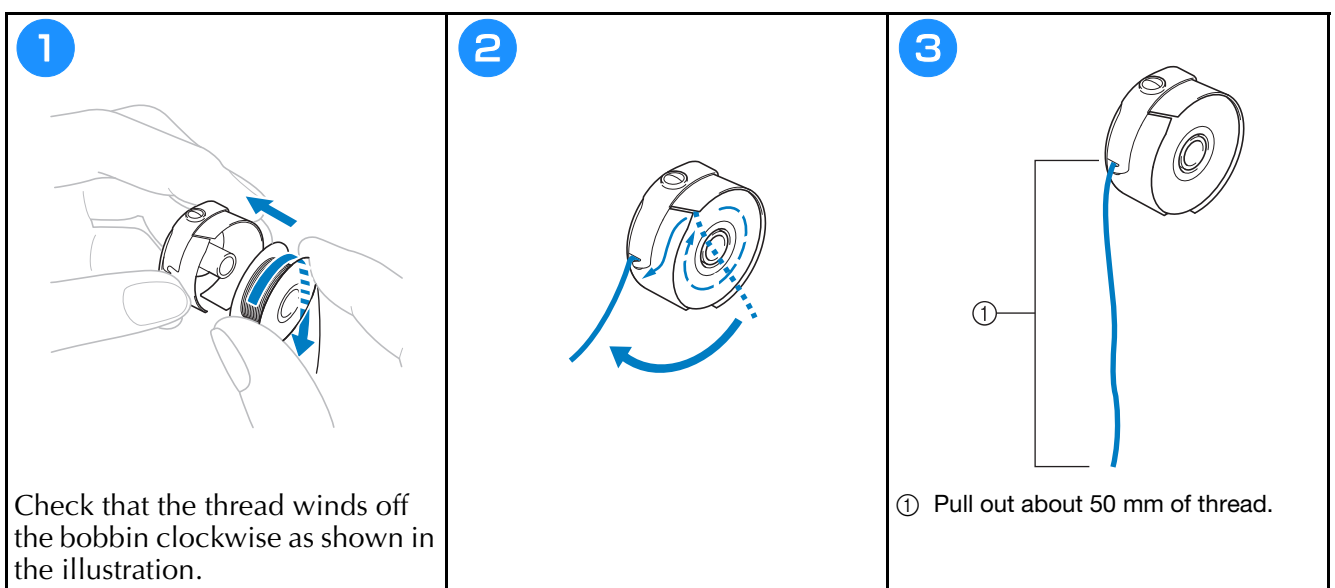
- Make sure to keep your hands and other items away from the carriage, in order to prevent any injuries.

<p>1</p> 	<p>2</p> 	<p>3</p> 	<p>4</p> 
<p>5 Set the clock.</p> 	<p>6</p> 	<p>Steps 4 and 5 are only needed when you turn on the machine for the first time.</p>	

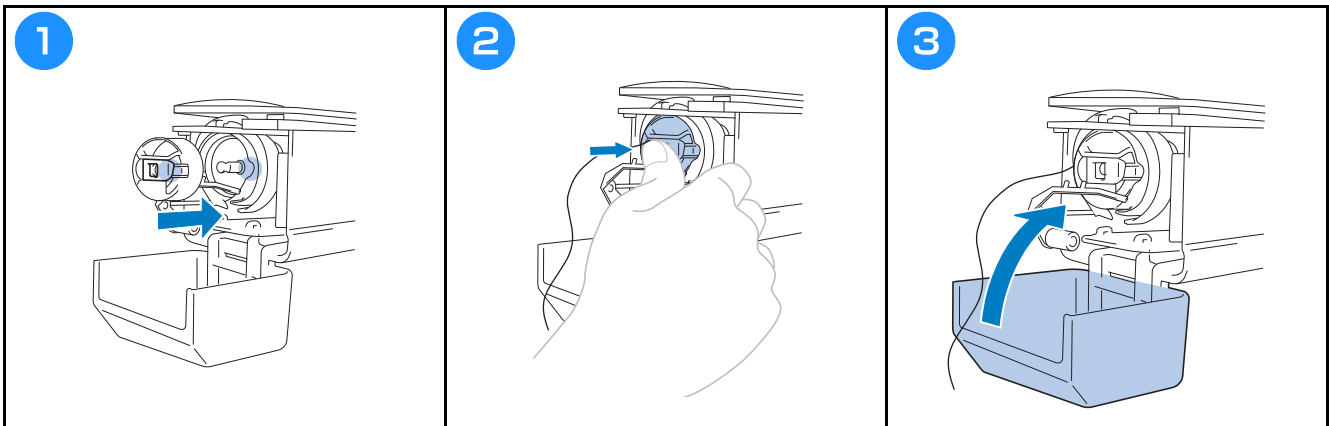
Removing the bobbin case



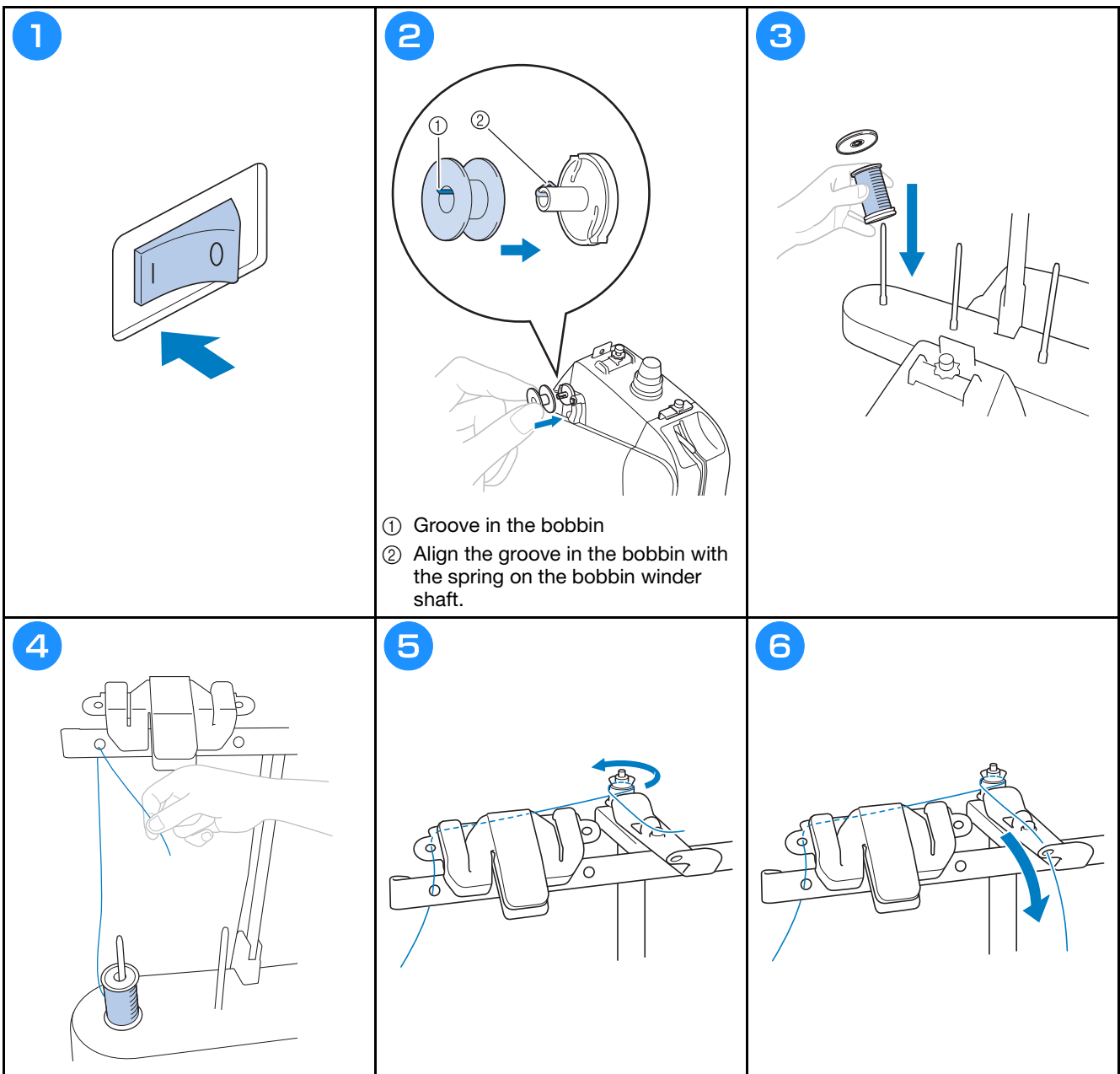
Installing the bobbin

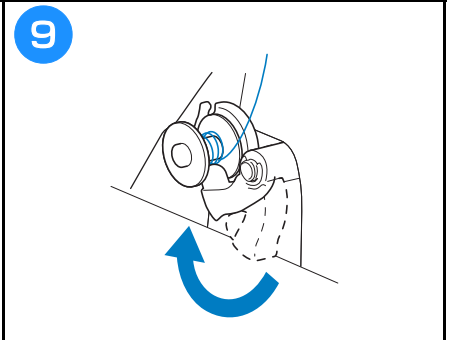
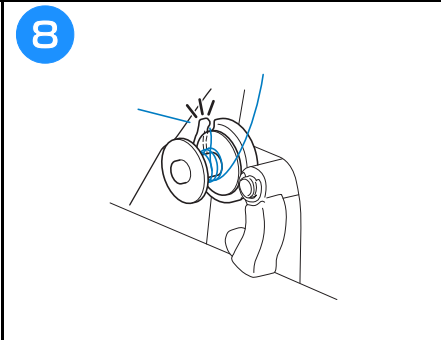
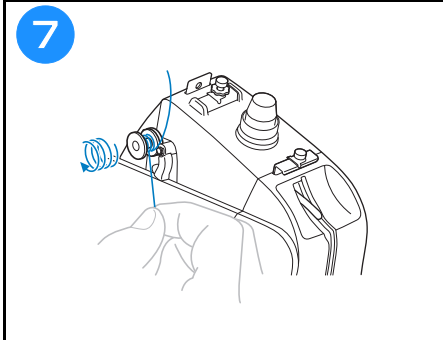


Installing the bobbin case

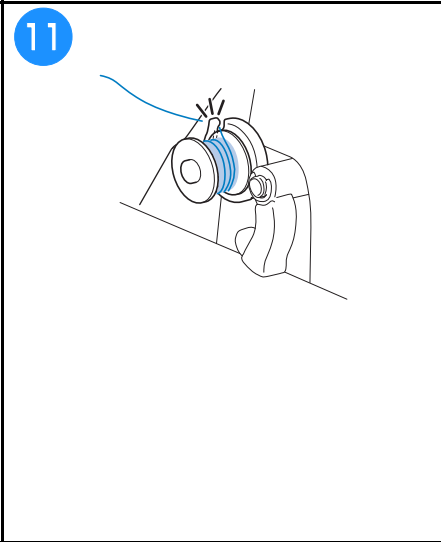


Winding the bobbin

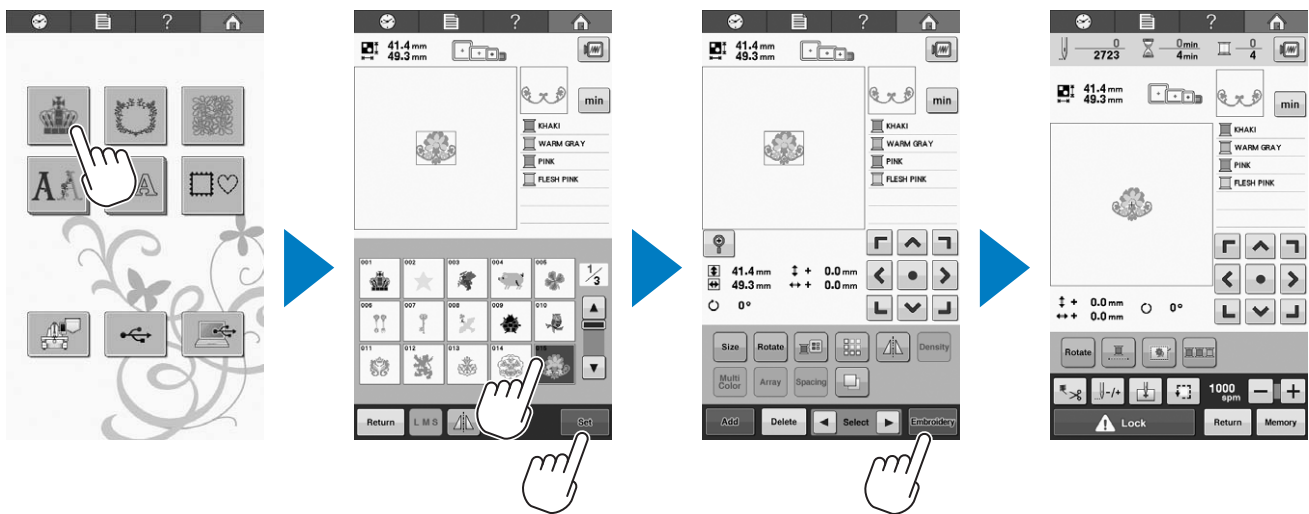




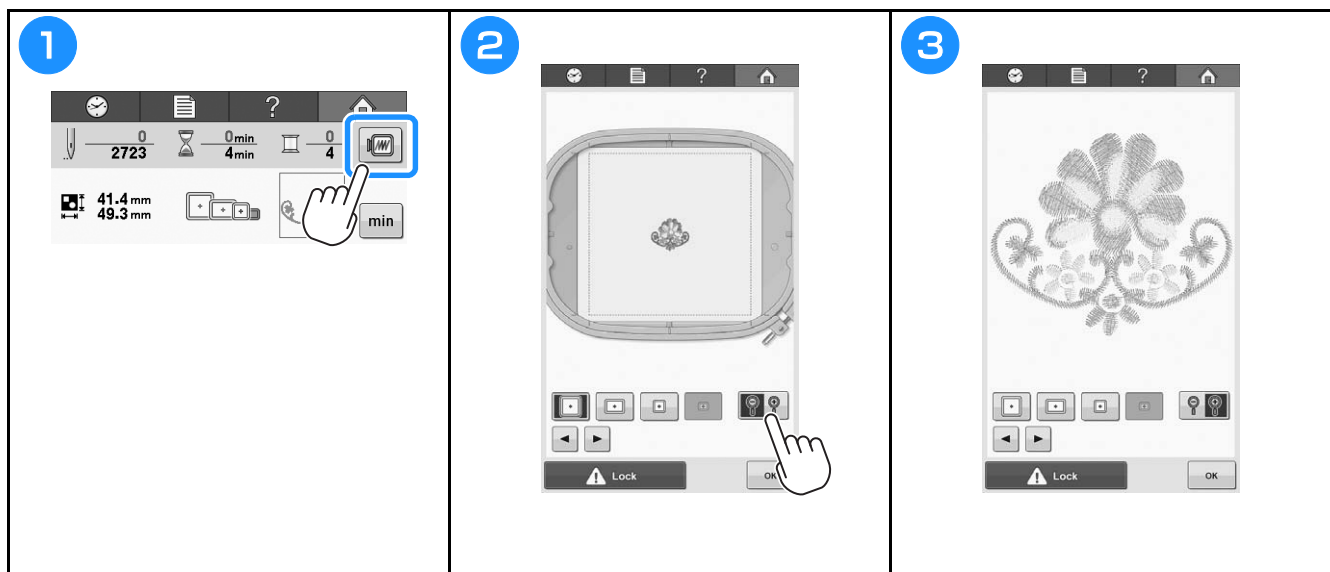
The bobbin starts winding. The bobbin stops rotating when bobbin winding is completed. The bobbin winding switch will automatically return to its original position.



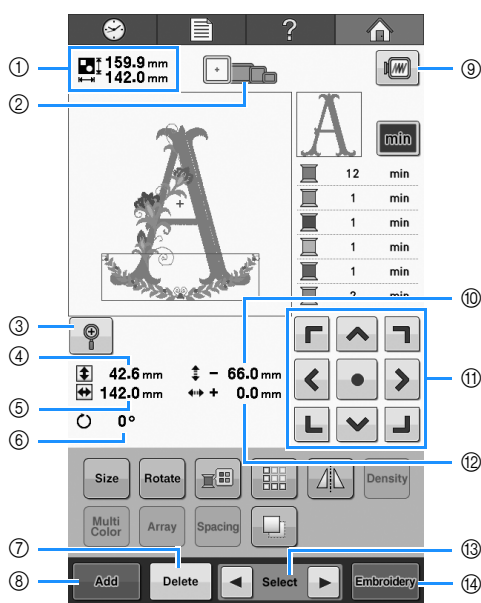
Selecting the embroidery pattern






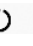
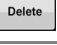




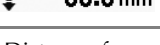



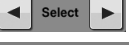

Checking a preview image

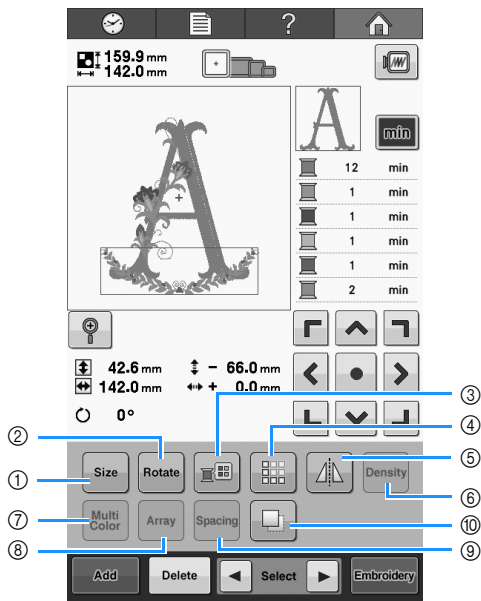



Editing the pattern












No.	Display	Function
	Key Name	
①	 159.9 mm 142.0 mm	Shows the size of the embroidery pattern currently displayed in the pattern display area. The top value shows the height and the bottom value shows the width. If the embroidery pattern consists of multiple patterns that have been combined, the size of the entire pattern, including all patterns, is shown.
	Pattern size	
②		Shows the sizes of embroidery frames that can be used to sew the embroidery pattern currently displayed in the pattern display area.
	Embroidery frame indicators	
③		Magnify the pattern by 200% in the screen.
	Magnify key	
④	 42.6 mm	Shows the vertical length of the pattern that is being edited.
	Size (vertical)	
⑤	 142.0 mm	Shows the horizontal width of the pattern that is being edited.
	Size (horizontal)	
⑥	 0°	Shows the rotation angle that the pattern being edited is rotated.
	Rotation angle	
⑦		Deletes the pattern. If touched, the pattern being edited is deleted.
	Delete key	

No.	Display	Function
	Key Name	
⑧		Adds a pattern. If touched, the pattern group selection screen appears.
	Add key	
⑨		Displays an image of the pattern so that it can be previewed.
	Preview key	
⑩	 - 66.0 mm	Shows the vertical distance that the pattern being edited is moved.
	Distance from center (vertical)	
⑪		Moves the embroidering position of the pattern that is being edited in the direction of the arrow. (If  is touched, the embroidering position is moved to the center of the embroidering area.)
	Positioning keys	
⑫	 + 0.0 mm	Shows the horizontal distance that the pattern being edited is moved.
	Distance from center (horizontal)	
⑬		Selects the pattern that is being edited when the embroidery pattern consists of multiple patterns that have been combined.
	Pattern selection keys	
⑭		Finish editing and continues to the embroidering screen.
	Embroidery key	

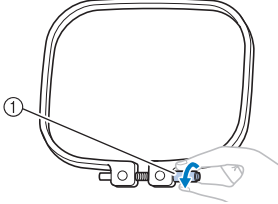
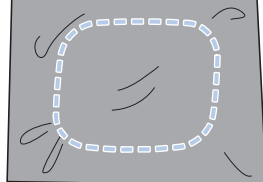
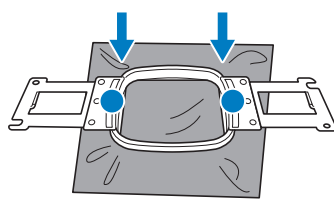
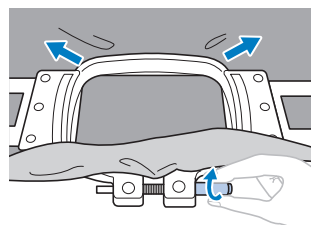
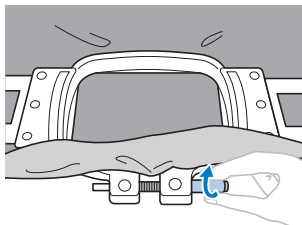
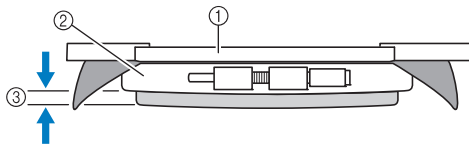
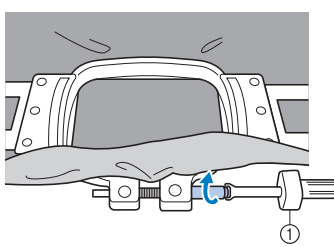


No.	Display	Function
	Key Name	
⑩		Duplicates the pattern.
	Duplicate key	

No.	Display	Function
	Key Name	
①		Changes the size of the pattern that is being edited.
	Size key	
②		Rotates the pattern that is being edited.
	Rotate key	
③		Changes the color of the pattern.
	Change thread color key	
④		Makes and edits a repeating pattern.
	Border key	
⑤		Flips the pattern being edited horizontally.
	Horizontal mirror image key	
⑥		Changes the density of the pattern that is being edited; can only be used if an alphabet or frame pattern is selected.
	Density key	
⑦		Enables the thread color of each character in an alphabet pattern to be changed; can only be used when an alphabet is selected.
	Multi Color key	
⑧		Changes the orientation of the characters in the alphabet pattern that is being edited.
	Array key	
⑨		Changes the spacing between the characters in the alphabet pattern that is being edited.
	Spacing key	

Starting the Embroidery

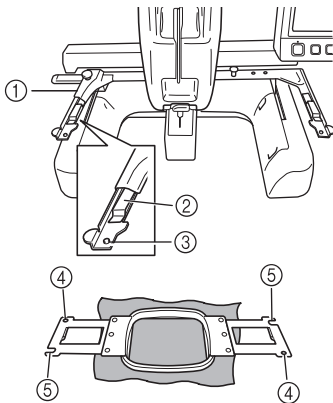
Hooping the fabric in the embroidery frame

<p>1</p>  <p>Loosen the screw.</p>	<p>2</p>  <p>Place the fabric with the right side up on top of the outer frame.</p>
<p>3</p> 	 <p>Lightly tighten the screw, and then pull the edges of the fabric.</p>
<p>4</p> 	 <p>① Inner frame ② Outer frame ③ Bottom of inner frame</p>
<p>5</p>  <p>① Tighten the screw.</p>	

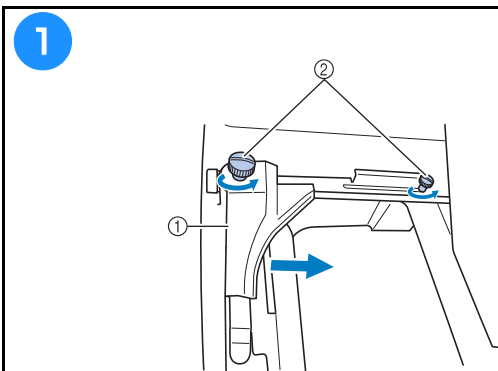
Attaching the embroidery frame to the machine

⚠ CAUTION

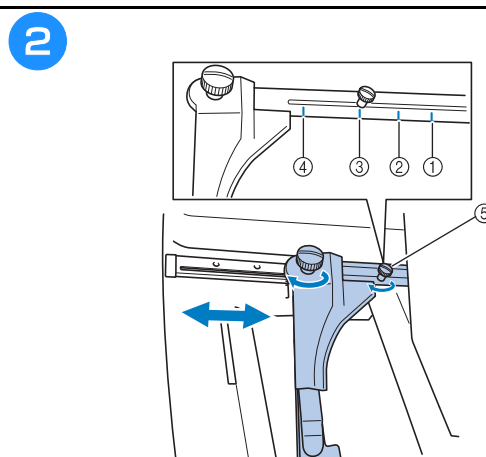
- If the embroidery frame is not correctly attached, it may hit the presser foot and damage the machine, or cause injury to the user.
- When attaching the embroidery frame, make sure that the “Start/Stop” button is lit in red. If the “Start/Stop” button is flashing in green, the embroidery machine may start embroidering. If the embroidery machine accidentally starts operating, injuries may result.
- When attaching the embroidery frame, make sure that the embroidery frame does not hit any other part of the embroidery machine.



- ① **Left arm of embroidery frame holder**
Move the arm of the embroidery frame holder to the left or right to adjust it to the size of the embroidery frame.
- ② **Clip on embroidery frame holder**
Insert the embroidery frame into the clips on the embroidery frame holder.
- ③ **Positioning pin**
- ④ **Holes**
- ⑤ **Positioning slots**

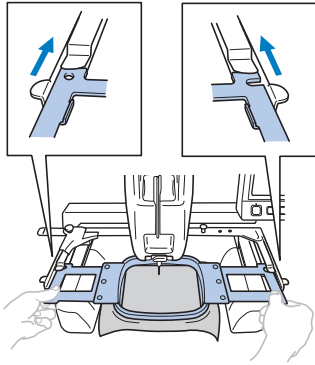


- ① Left arm
 - ② Thumb screws
- Loosen the two thumb screws on the embroidery frame holder.



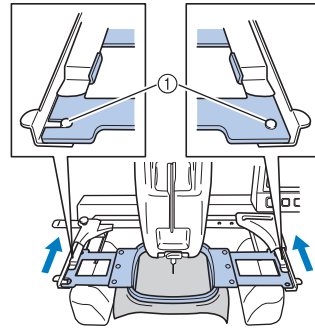
- ① Mark for extra-large embroidery frame
- ② Mark for large embroidery frame
- ③ Mark for medium embroidery frame
- ④ Mark for small embroidery frame
- ⑤ Align the screw with the mark.

3



Slide the embroidery frame into the clip on the embroidery frame holder. The inner frame should be on top.

4

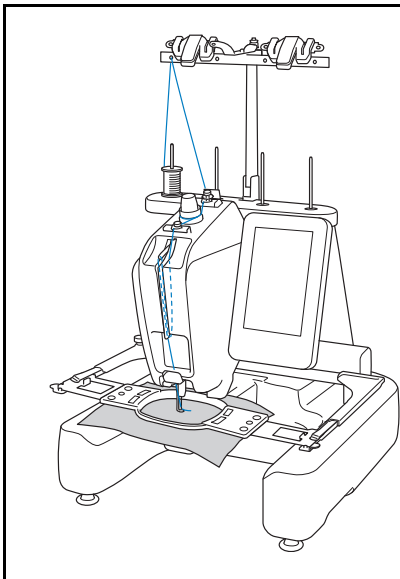


Insert the embroidery frame until it snaps into place.

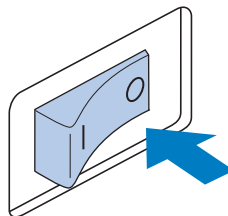
Upper threading

⚠ CAUTION

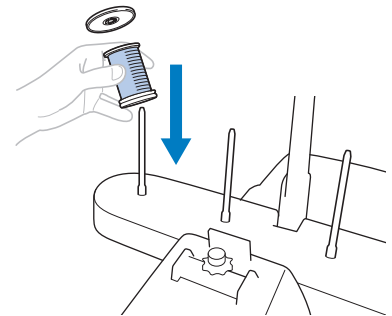
- When threading the upper thread, carefully follow the instructions. If the upper threading is not performing correctly, the thread may break or become tangled, causing the needle to bend or break.

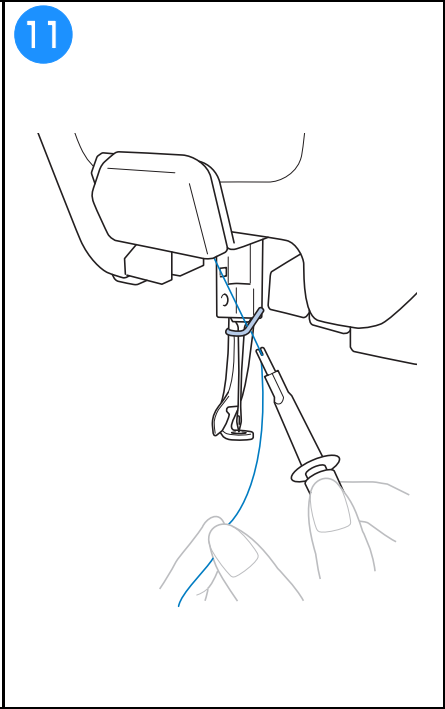
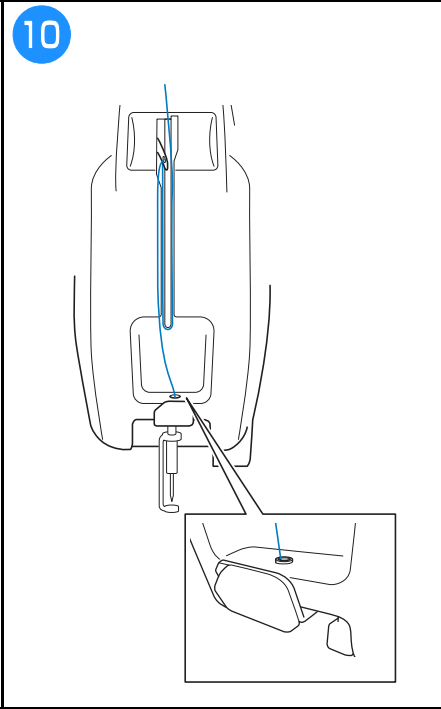
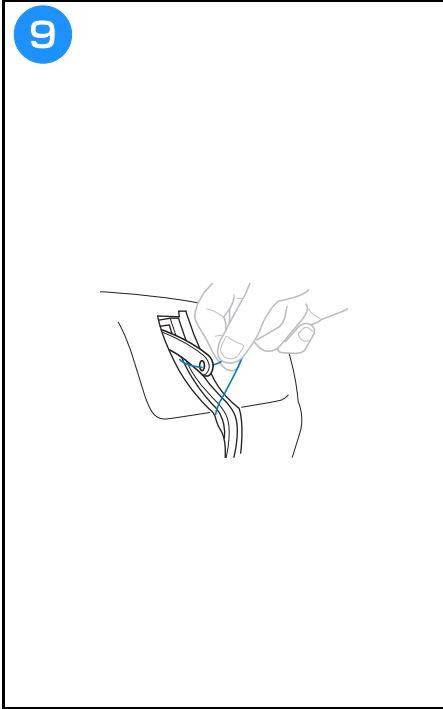
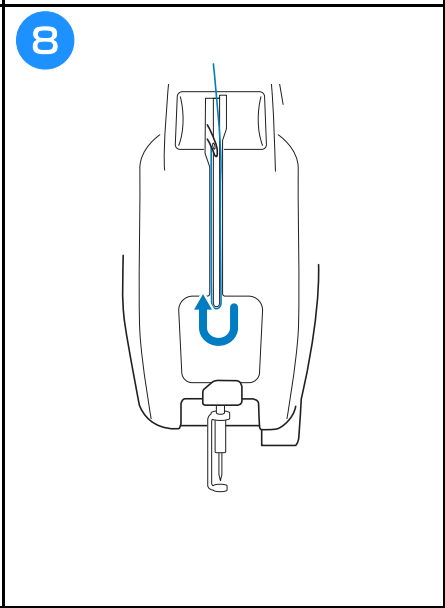
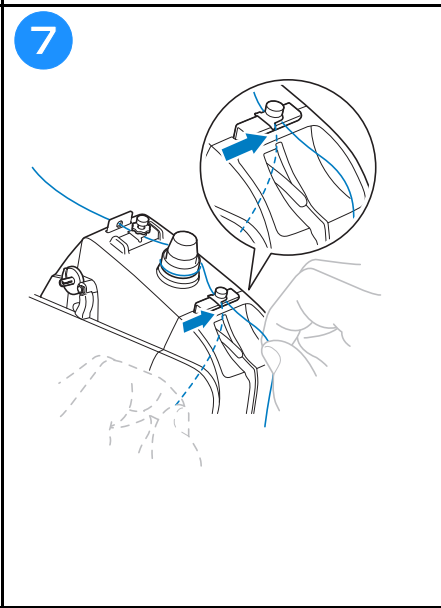
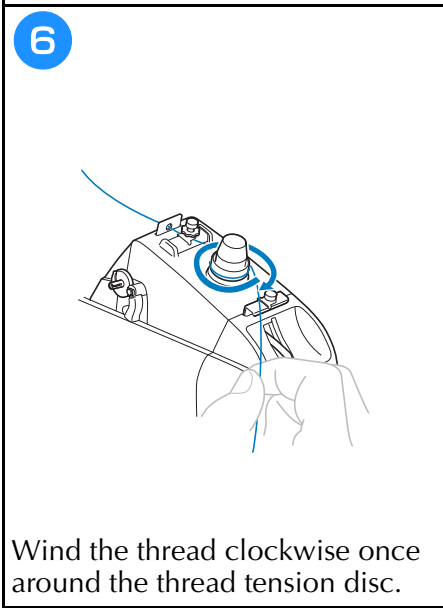
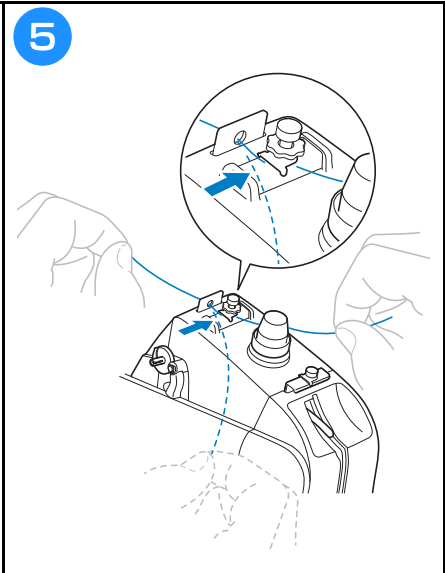
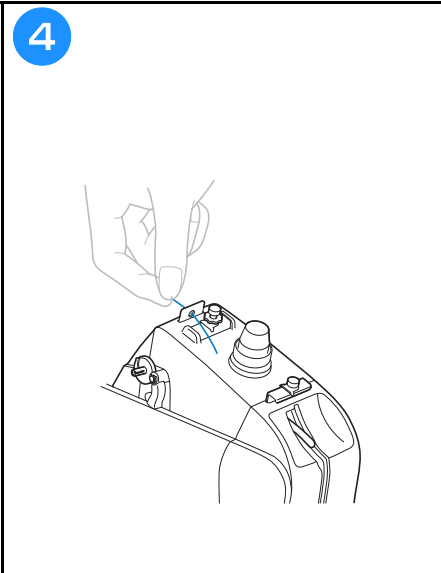
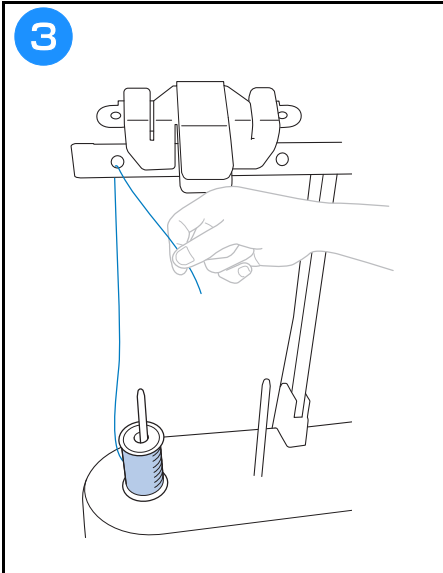


1



2





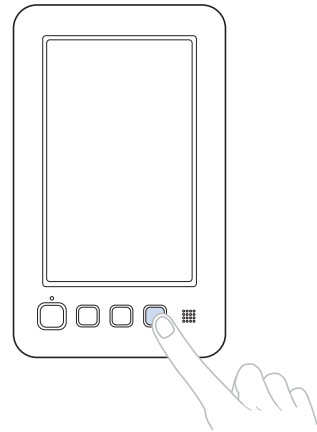
Wind the thread clockwise once around the thread tension disc.

Threading the needle

⚠ CAUTION

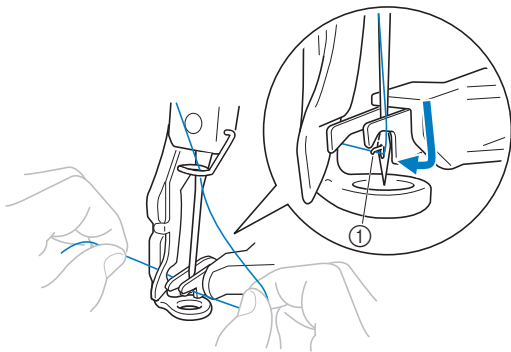
- If the needle is not fully inserted, the hook of the automatic threading mechanism will not pass through the eye of the needle during automatic needle threading, and the hook may bend or the needle cannot be threaded.
- If the hook of the automatic threading mechanism is bent or damaged, contact your authorized Brother dealer.
- While the hook of the automatic threading mechanism is passed through the eye of the needle, do not rotate the handwheel, otherwise the automatic threading mechanism may be damaged.

1



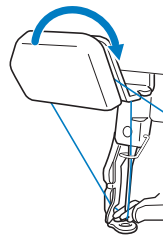
The hook on the automatic threading mechanism passes through the eye of the machine.

2

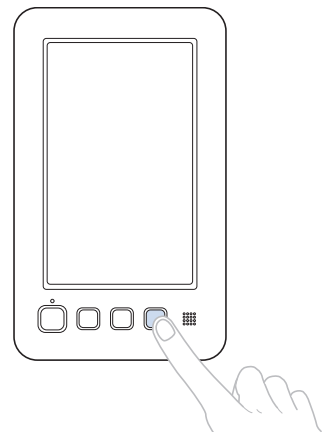


① Pass the thread here.

3

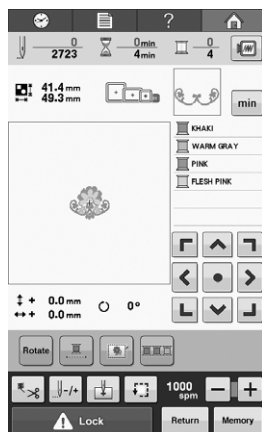


4

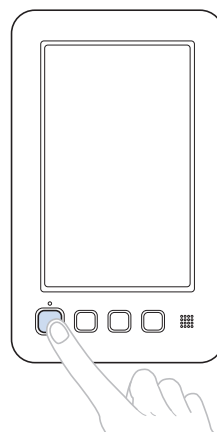


Starting embroidering

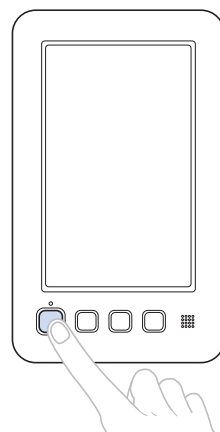
1



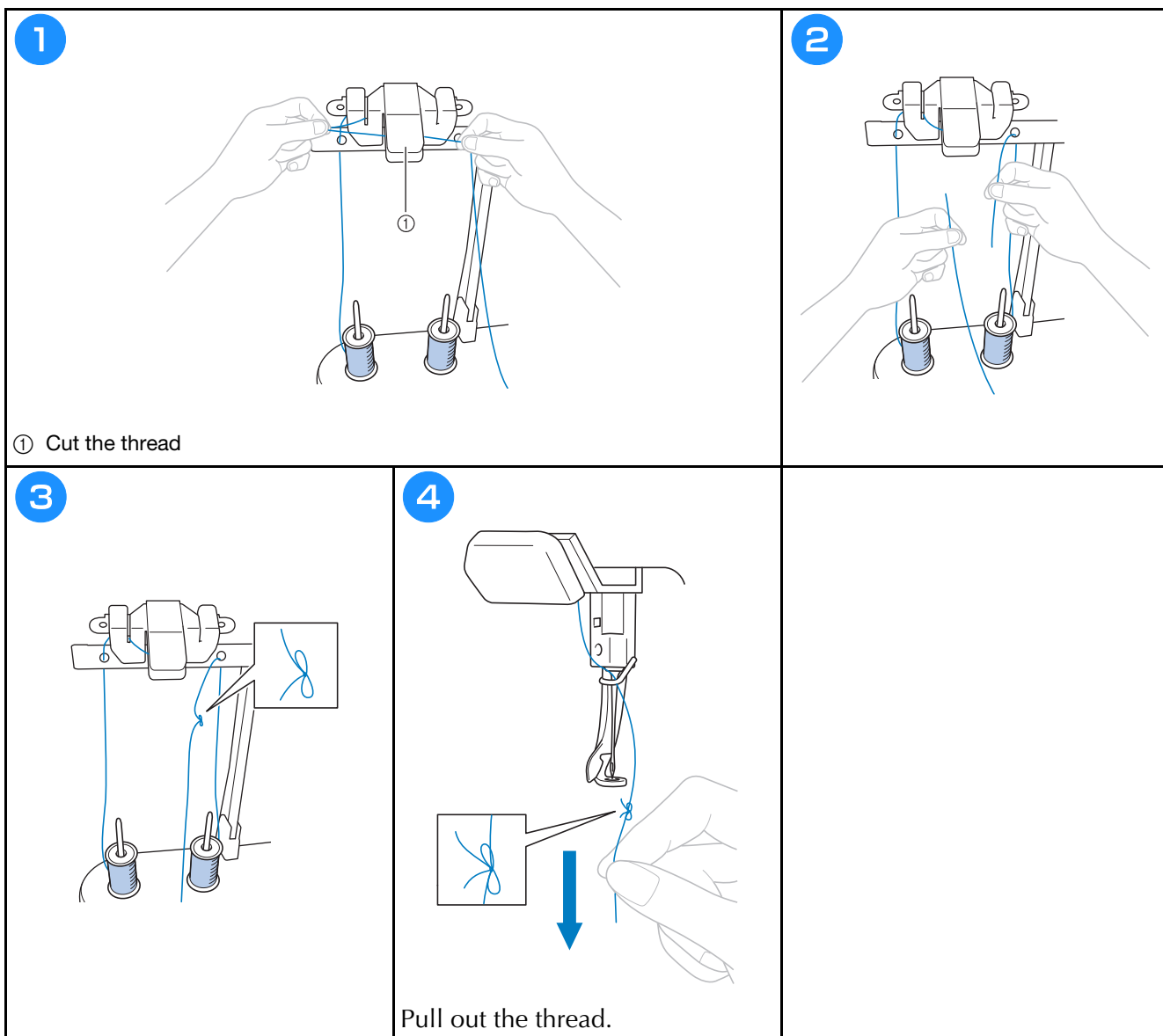
2



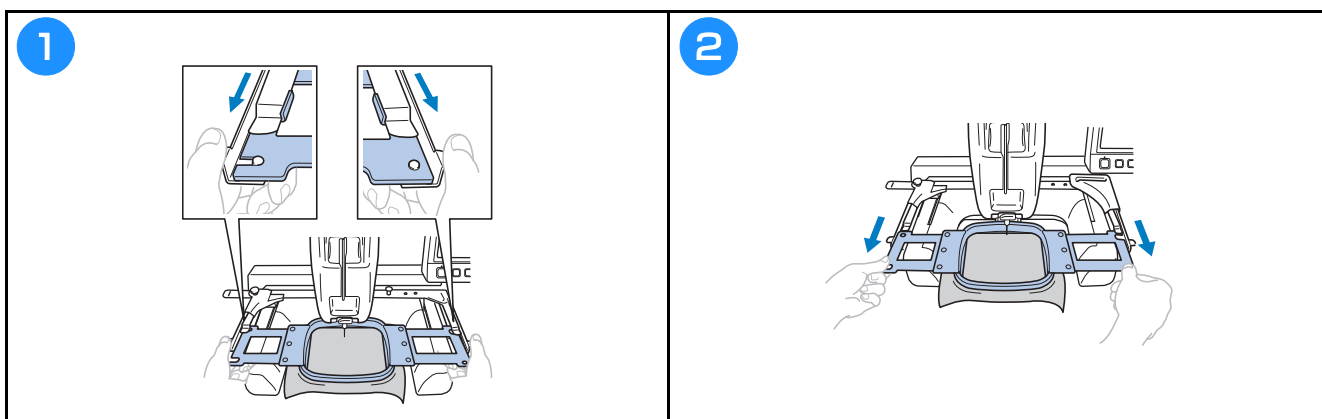
Stop the embroidering



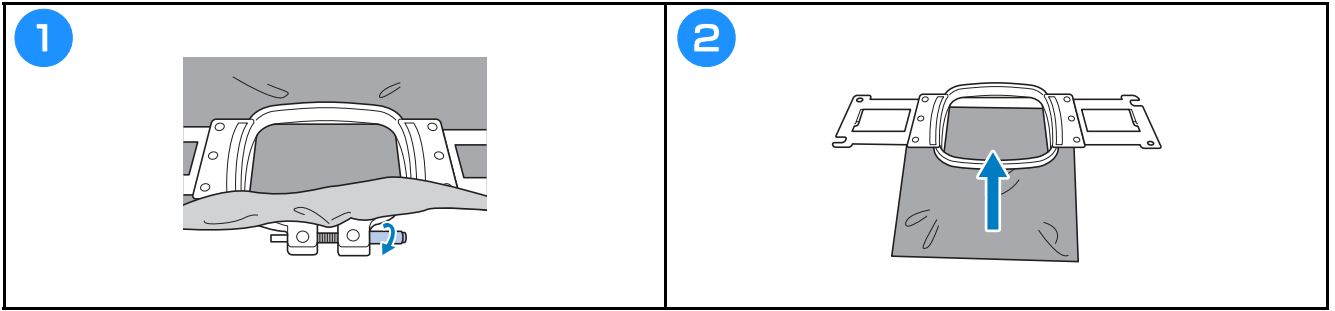
Easily changing the thread spools



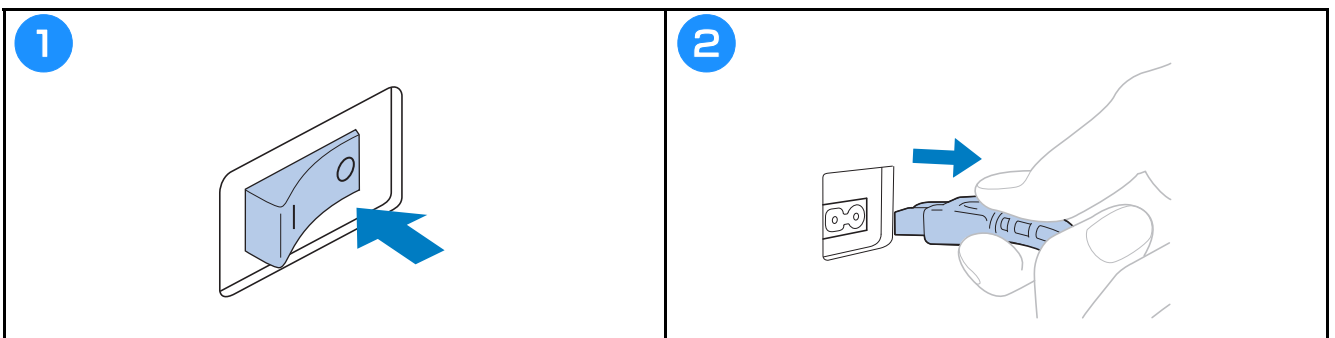
Removing the embroidery frame



Removing the fabric



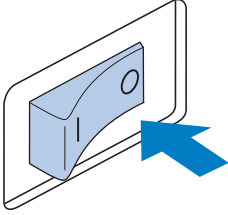
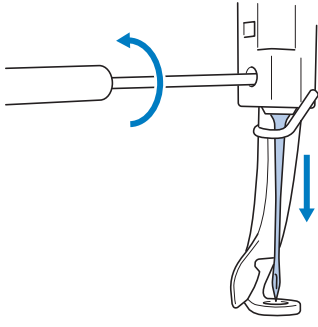
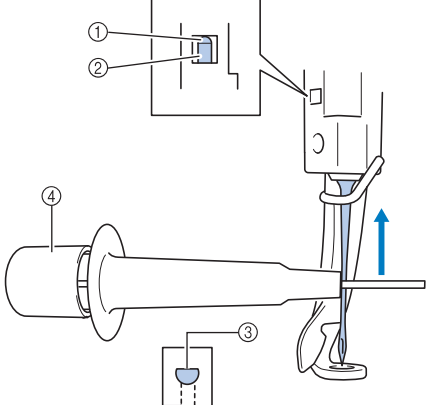

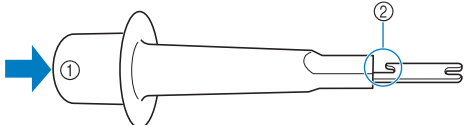
Turning off the machine



Changing the needle

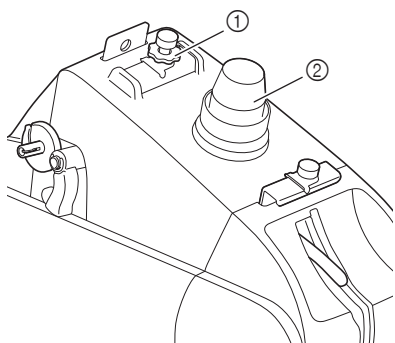
⚠ CAUTION

- Be sure to turn off the embroidery machine before replacing the needle, otherwise injuries may result if the machine starts embroidering.

<p>1</p> 	<p>2</p> 
<p>3</p>  <p>① Needle bar stopper ② Needle ③ Flat side of needle ④ Needle changing tool</p>	<p> Memo</p>  <p>① End of the needle changing tool ② Needle mounting clamp</p>

Checking the thread tension

The upper thread tension can be adjusted using the thread tension knob or the upper thread guide pretension knob.



- ① Upper thread guide pretension knob
- ② Thread tension knob

■ Correct thread tension

From the wrong side of the fabric, the bobbin thread should be about one third of the stitch width.

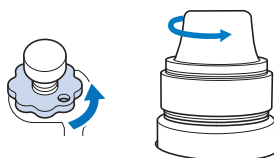


- ① Right side
- ② Wrong side

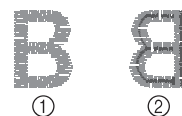


- ① Right side
- ② Wrong side

The tension of the upper thread is too tight, resulting in the lower thread being visible from the right side of the fabric.

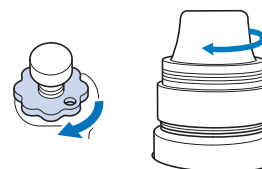


Loosen by turning counterclockwise.



- ① Right side
- ② Wrong side

The tension of the upper thread is too loose, resulting in a loose upper thread, loose thread locks or loops appearing on the right side of the fabric.

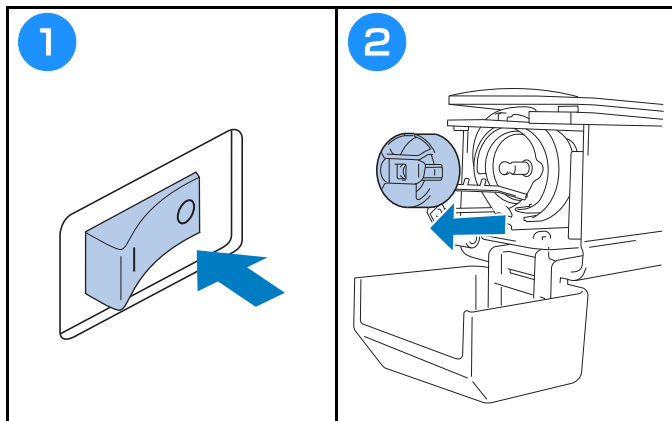


Tighten by turning clockwise.

Oiling the race

⚠ CAUTION

- Unplug the power supply cord before cleaning the machine, otherwise injuries or an electric shock may occur.



3

① Handwheel
Rotate the handwheel to a position (Δ) on the machine.

4

Front angle view Side view

① Punch a small hole in oil bottle.
② Apply oil here.

- Use a pointed object to punch a small hole in the tip of the included oiler before using it.

5

Oiling the needle bars

① Apply oil here.

- Too much oil may drip onto the project.

 **Note**

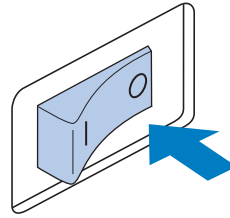
- Put a drop of oil onto the hook once a day before use.
- Apply one drop of oil on the lower needle bar above the felt washer every 40 – 50 hours of embroider time.
- Apply only sewing machine oil. Use of any other type of oil may result in damage to the embroidery machine.
- Do not apply too much oil. Fabric or thread may get contaminated. If too much oil is applied, wipe off any excess with a rag.
- If the thread breaks while embroidering or the operating noise of the hook becomes loud, apply oil onto the race hook.

Cleaning the hook

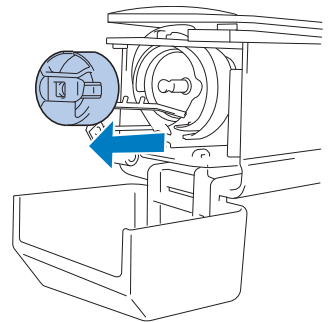
⚠ CAUTION

- Unplug the power supply cord before cleaning the machine, otherwise injuries or an electric shock may occur.
- If the hook is scratched or damaged, consult your authorized Brother dealer.

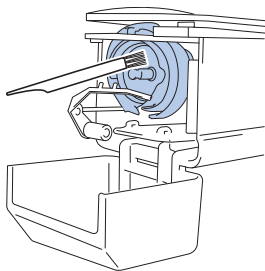
1



2

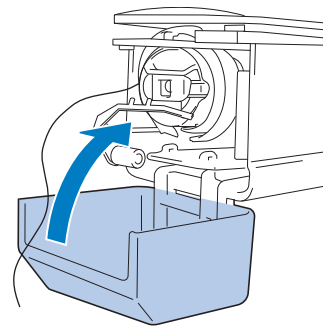


3



Remove any lint and dust from the hook and its surrounding area.

4

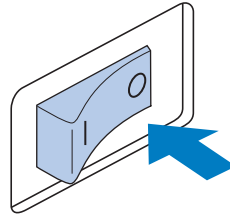


Cleaning around the needle plate

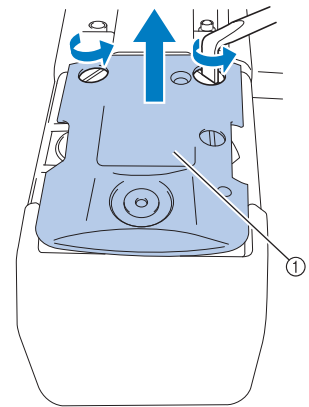
⚠ CAUTION

- Unplug the power supply cord before cleaning the machine, otherwise injuries or an electric shock may occur.

1

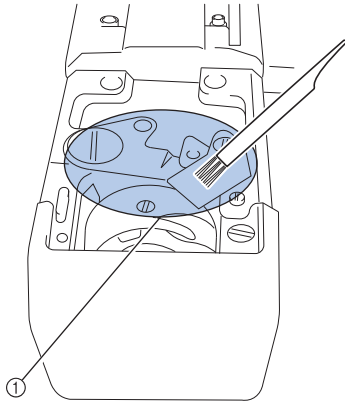


2



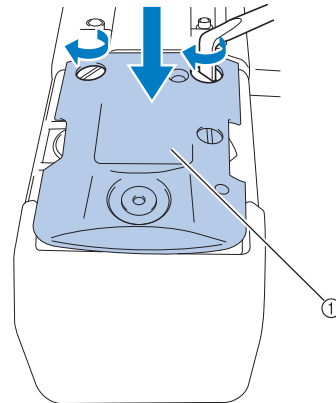
① Remove the needle plate.

3



① Remove all lint in this area.

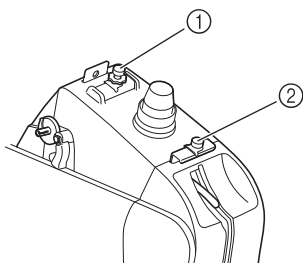
4



① Attach the needle plate.

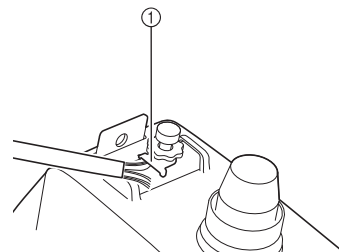
Cleaning the thread guides

1



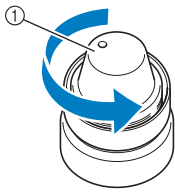
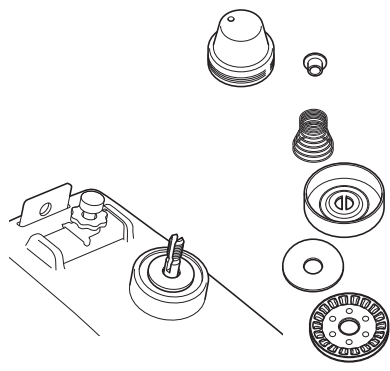
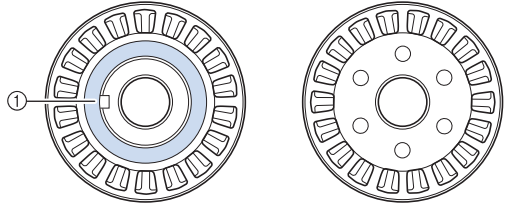
Clean the thread guide plates for both the upper thread guide ① and the middle thread guide ②.

2



① Clean the thread guide plate.

Clean the tension dial

<p>1</p>  <p>① Turn the dial counterclockwise.</p>	<p>2</p>  <p>Remove any lint and dust from the two pieces of felt washers (top, bottom) inside the tension dial.</p>	<p>Note</p> <ul style="list-style-type: none">• When reassembling the tension unit, be sure not to install the tension disc upside down. There is a magnet on the bottom. <p>Bottom Top</p>  <p>① Magnet</p>
--	--	--

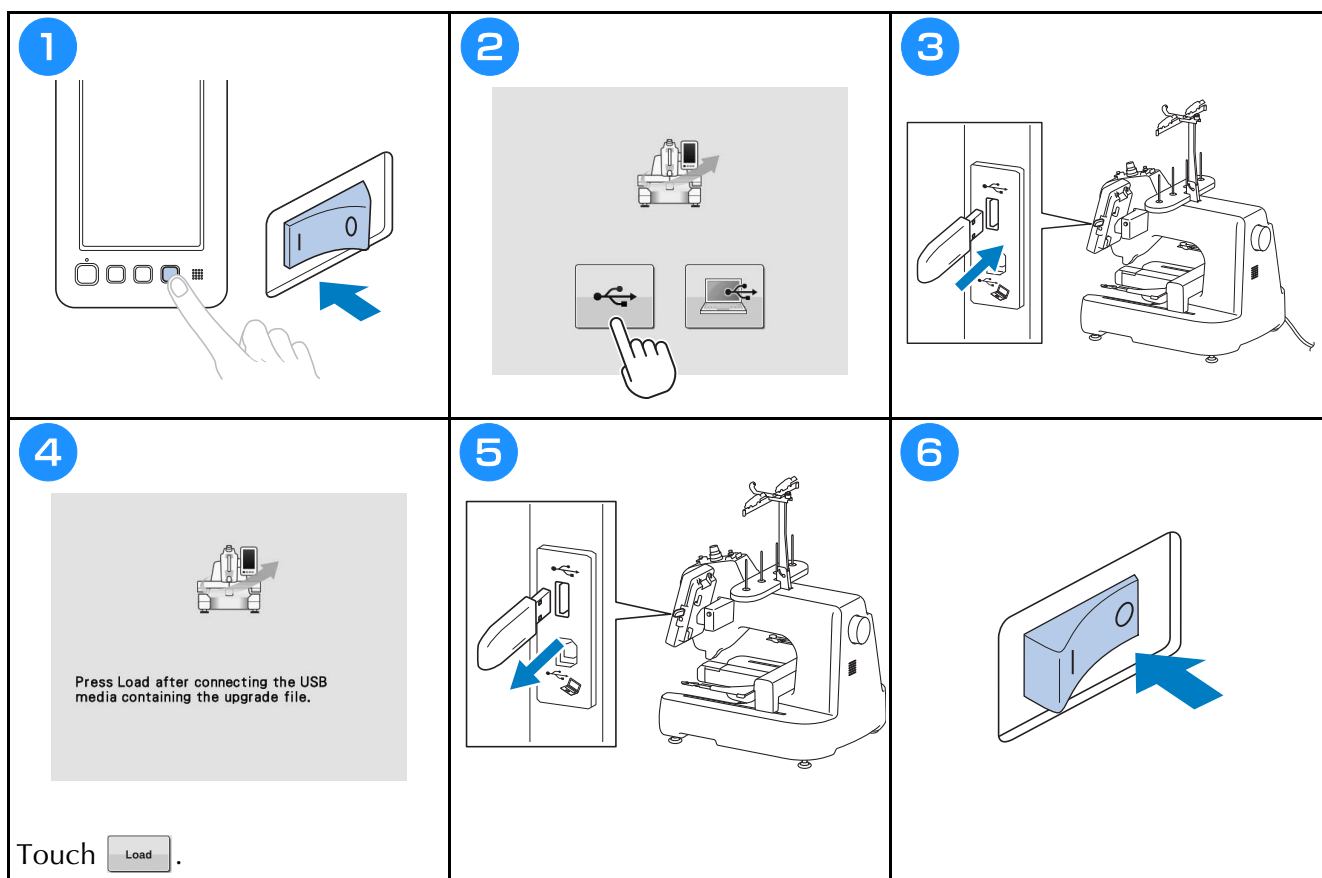
Upgrading Your Machine's Software



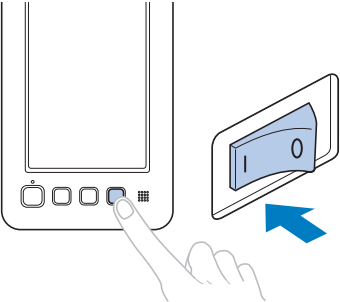
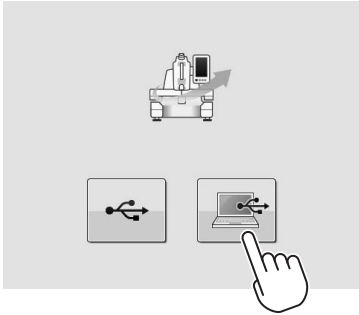
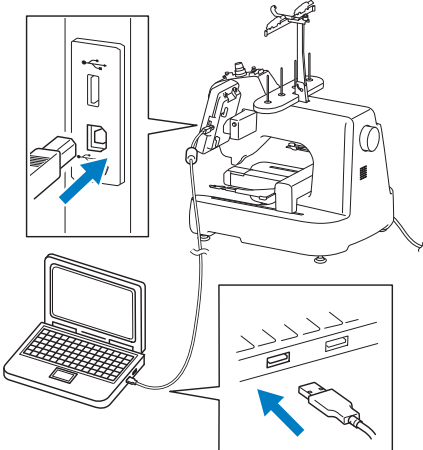
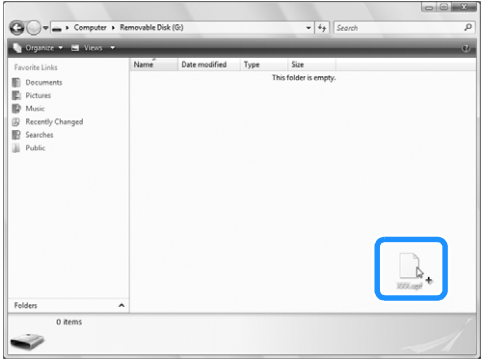
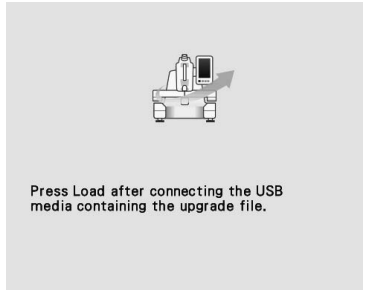
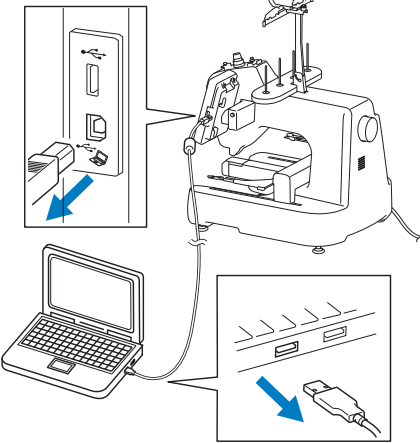
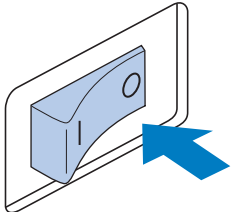
Note

- When an upgrade program is available on “ <http://support.brother.com> ”, please download the files following the instructions on the website and steps below.
- When using USB media to upgrade the software, check that no data other than the upgrade file is saved on the USB media being used for this upgrade.
- Compatible operating systems:
Microsoft Windows XP, Windows Vista, Windows 7, Windows 8
- USB media is widely used, however some USB media may not be usable with this machine. Please visit our website for more details.

Upgrade procedure using USB media



Upgrade procedure using computer

<p>1</p> 	<p>2</p> 	<p>3</p> 
<p>4</p> 	<p>5</p>  <p>Touch <input type="button" value="Load"/>.</p>	
<p>6</p> 	<p>7</p> 	

What you can find in the detailed operation manual on Brother Solutions Center

Introduction

IMPORTANT SAFETY INSTRUCTIONS

Trademarks

Warning Labels

Machine Structure and Features

Manual Structure

Read before use

Read when additional information is required

Searching for information

Chapter1 GETTING READY

Names of Machine Parts and Their Functions

Front view

Right-side/rear view

Operation panel

Accessories

Included accessories

Optional accessories

Setting Up the Machine

Setup and transporting precautions

Setup location

Setting up the machine

Preparing the thread guide assembly

Attaching the embroidery frame holder a

Attaching the embroidery frame holder e

Chapter2 EMBROIDERING TUTORIAL

Operating Precautions

Power supply precautions

Needle precautions

Checking the needle

Bobbin precautions

Upper thread recommendations

Fabric recommendations

Display recommendations

Basic Procedures

1. Turning ON the Machine

Setting your machine for the first time

Understanding the screens

Screen overview

2. Installing the Bobbin

Removing the bobbin case

Installing the bobbin

Installing the bobbin case

Winding the bobbin

3. Selecting an Embroidery Pattern

Selecting an embroidery pattern

4. Editing the Embroidery Pattern

Continuing to the embroidering screen

5. Specifying Embroidering Setting

Embroidery positioning marker

6. Previewing the Image

Checking a preview image

7. Hooping the Fabric in the Embroidery Frame

Hooping the fabric in the embroidery frame

8. Attaching the Embroidery Frame to the Machine

Attaching the embroidery frame

9. Checking the Embroidery Area

10. Upper Threading

Changing the display of thread information

Upper threading

Threading the needle

Easily changing the thread spools

11. Starting Embroidering

Starting embroidering

Stopping embroidering

12. Checking the Thread Tension

13. Removing the Embroidery Frame and Fabric

Removing the embroidery frame

Removing the fabric

14. Turning OFF the Machine

Screen Quick Reference Guide

Key displays

Understanding the pattern type selection screen

Understanding the pattern list screen

Understanding the pattern editing screen

Understanding the embroidering screen

When You Have a Question, This May Help You

TECHNICAL TERMS:

PATTERNS:

EMBROIDERING:

USB connectivity

Chapter3 OTHER BASIC PROCEDURES

Changing the Needle

Replacing the needle

Correctly Using the Embroidery Frames

Embroidery frame types and applications

Attaching Iron-On Stabilizer (Backing) to Fabric

Hooping the Fabric

Hooping the fabric in the large embroidery frame

Hooping the compact frame and attaching to the machine

Using the embroidery sheet

Large/small pieces of fabric

Embroidery Frame Position and Movement

Changing the Embroidering Position

Adjusting the angle

If the Thread Breaks or the Bobbin Thread Runs Out While Embroidering

If the upper thread breaks

If the bobbin thread breaks or runs out

Embroidering From the Beginning or Middle of the Pattern

Resume Embroidering After Turning Off the Machine

Adjusting the Thread Tension

Adjusting the tension of the bobbin thread

Adjusting the tension of the upper thread

Chapter4 EMBROIDERING SETTINGS

Basting Embroidery

Starting Position Settings

Embroidering linked characters

Maximum Embroidering Speed Setting

Embroidery Color Management

Uninterrupted embroidering (monochrome - using a single color)

Thread color sorting

Thread Trimming Adjustment

Using the automatic thread cutting function (End Color Trim)

Using the thread trimming function (Jump Stitch Trim)

Chapter5 SELECTING/EDITING/SAVING PATTERNS

Using the Memory Function

- Embroidery data precautions
- Concerning optional embroidery cards
- Concerning USB media

Selecting an Embroidery Pattern

- General pattern selection
- Embroidery patterns/ Decorative alphabet patterns
- Frame patterns
- Alphabet patterns
- Embroidery cards (optional)
- Saving embroidery patterns in the machine's memory
- Saving embroidery patterns to USB media
- Saving embroidery patterns in the computer
- Retrieving patterns from the machine's memory
- Recalling from USB media
- Recalling from the computer

Editing the Embroidery Pattern (Pattern Editing Screen)

- Combining patterns
- Selecting the pattern to be edited
- Displaying the enlarged pattern image
- Moving a pattern
- Flipping a pattern horizontally
- Changing the size of a pattern
- Rotating a pattern
- Changing the text arrangement of a character
- Changing the character spacing
- Separating combined character patterns
- Changing the thread density (only for some character and frame patterns)
- Specifying multi-color text
- Changing the colors of the pattern
- Designing repeated patterns
- Creating a custom thread table
- Choosing a color from the custom thread table
- Duplicating a pattern
- Deleting a pattern

Editing the Embroidery Pattern (Embroidering Screen)

- Rotating the entire pattern

Editing a Combined Pattern

Chapter6 BASIC SETTINGS AND HELP FEATURE

Using the Settings Key

- Understanding the settings screen
- Saving a settings screen image to USB media
- Changing the display guides
- Changing the thread color information
- Changing the units of measurements
- Changing the embroidery basting distance
- Changing the background colors of the embroidery patterns or thumbnails
- Specifying the thumbnail size
- Specifying thread sensor
- Changing the speaker volume
- Selecting the "Eco Mode" or "Shutoff Support Mode"
- Setting the opening screen
- Changing the language
- Turning "ON" or "OFF" the light
- Changing the screen brightness
- Setting the LED pointer

Using the Machine Operations Guide Key

Chapter7 APPENDIX

Appliqué Sewing

- Sewing appliqué patterns
- Using a frame pattern to create appliqués (1)

- Using a frame pattern to create appliqués (2)

Embroidering Split Embroidery Patterns

Helpful Tips for the Operation of the Machine

- Color thread table
- Colors of Tajima (.dst) embroidery data

Creating Beautiful Embroidery

- Threads
- Stabilizers (backing)
- Hooping techniques
- Fabric/stabilizer compatibility chart

Maintenance

- Cleaning the LCD
- Cleaning the machine surface
- Cleaning the hook
- Cleaning around the needle plate
- Cleaning the bobbin case
- Cleaning the thread paths of the upper threads
- Oiling the machine
- About the maintenance message

Troubleshooting

- Troubleshooting
- Error messages
- If the machine does not respond when a key is pressed

Specifications

- Embroidery machine specifications

Upgrading Your Machine's Software

- Upgrade procedure using USB media
- Upgrade procedure using computer

Index

Please visit us at <http://support.brother.com/> where you can get product support and answers to frequently asked questions (FAQs).

English
882-T51
Printed in Taiwan



XG3252-001①