

- another great idea from Horn
 Ideal for all types of hobby... Sewing, Quilting, Patch work, Cutting, Piecing....anything!!



This is real magic!

Your sewing machine can be operated in either a table top position (for free-arm or embroidery use etc...) or lowered for our inset to be fitted around it to give a huge flatbed sewing position. Alternatively you can remove your machine entirely and use it as a large cutting out surface.

Unrivalled freedom & Comfort.
 No more kneeling, bending or stooping ... for anyone



It easily & conveniently folds up out of the way when not being used

NEED MORE STORAGE?
 You can add a Rolla storage unit to match in with his modell

Great table size;
 64" by 36"
 Ideal for all craft uses.

Huge open leg construction-
 no restrictions to your seating position

- Tough, knock resistant ABS edging surrounds the top of the table- for increased durability.
- 1" thick table top for extra strength.
- Tilts for storage by means of a pull release catch mechanism to give back valuable floor space to your room.
- Easily height adjustable by simply turning a crank handle.
- Can be raised to work on above other furniture in your room.
- A large height adjustment range to suit virtually any user. Can be lowered to sit at or raised to stand and work at.
- Clever platform mechanism that your sewing machine sits on which can either be dropped for flatbed use (using an inset) or raised for free-arm and embroidery arm use.
- Maxi aperture; giving it the ability to fit even the largest sewing machines on the market.
- One inset to fit your sewing machine is included
- Easily mobile on 4 large, fully lockable wheels.



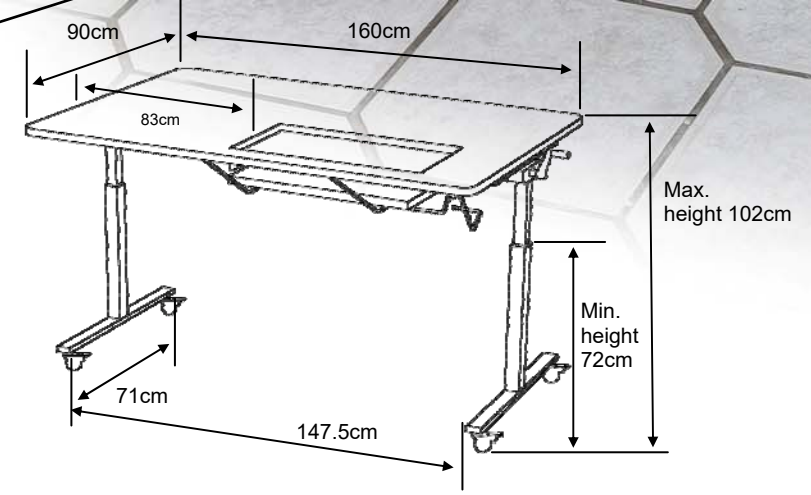
Folding handle



Easy and quick height adjustment by the turn of a handle. Maintenance free, reliable & simple to operate!

Fitted with our Horn Maxi air-lifter! (Type 1952)
 Ideal for the new extra large sewing machines—such as the Pfaff Icon, Bernina 700 & 800 series, Brother V series, Janome Horizon Range and Husqvarna Epic's amongst others but its not just for larger machines its also ideal for all normal sized domestic sewing machines too!

See more on this model by viewing the video on our website



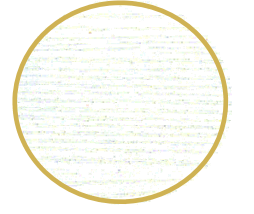
4 large, rubberised, smooth running, lockable wheels. Lock both the roll and turn of the wheel.

Get the perfect seating position by using our 'Tall' hobby chair



See pg.31

Colour Chart



White