

The HI-LO MK2

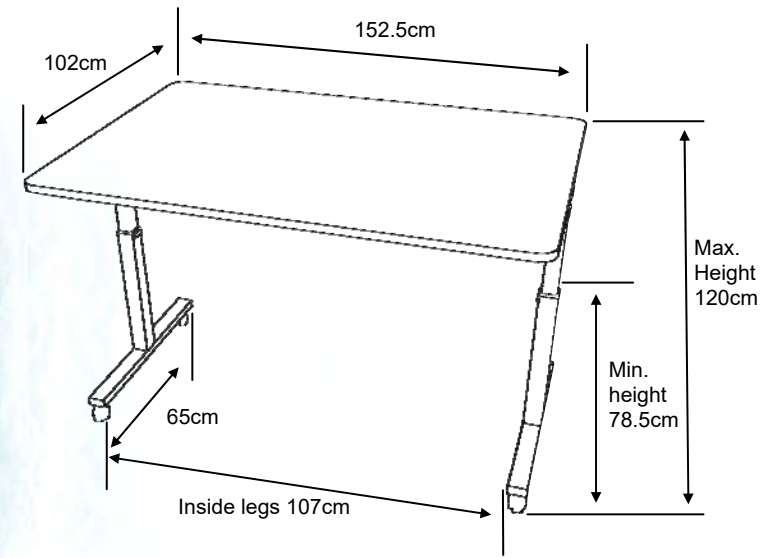
- the best craft table..... ever!



Hilo Mk2 fully tilted from stand side

New
Now in 4 finishes!

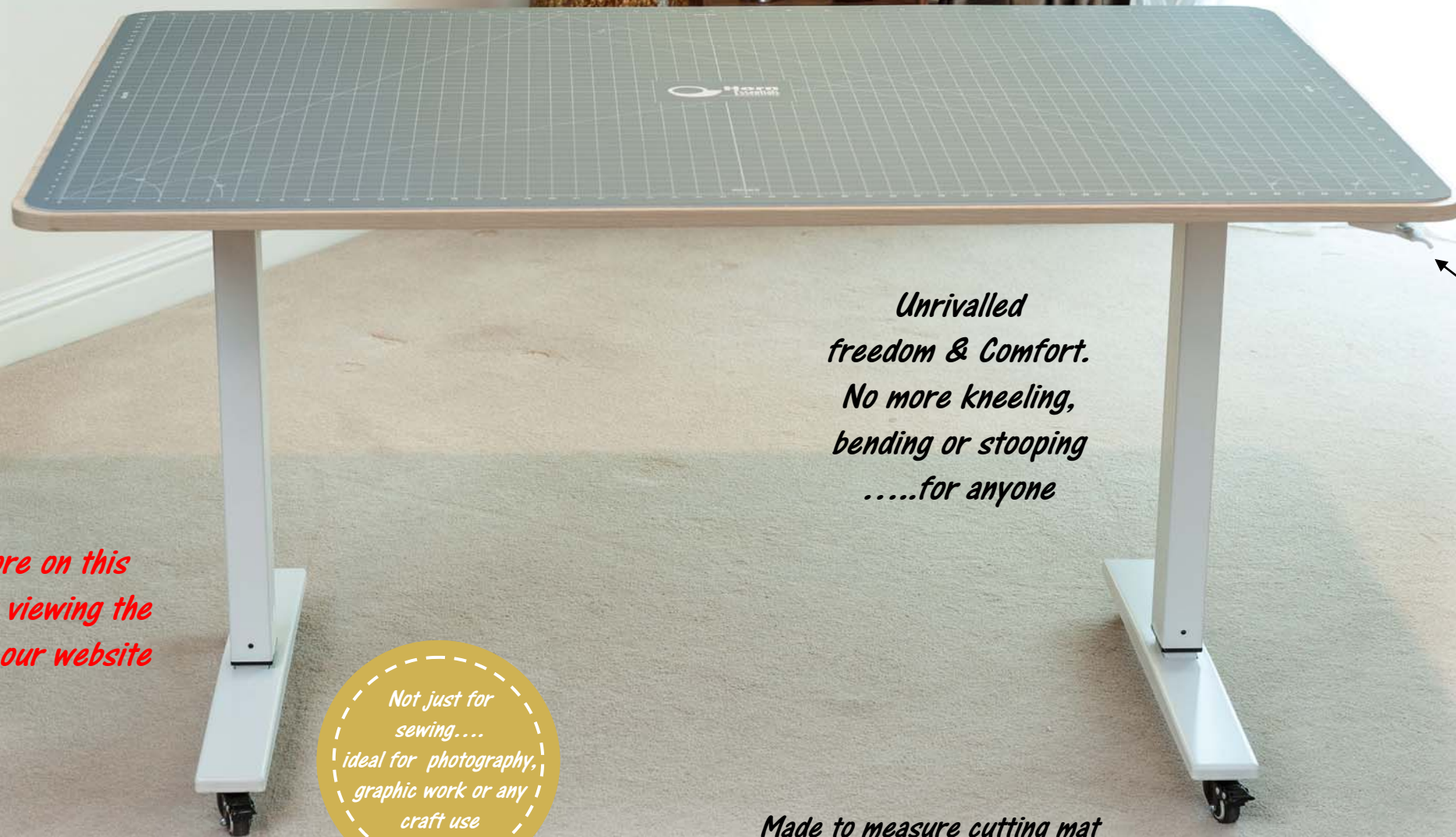
Great table size;
60" by 40"
Ideal for any craft use.



Hilo Mk2 fully tilted from top side, here in our Weathered Oak finish

NEED MORE STORAGE?
You can add a Rolla storage unit to match in with his model!

See more on this model by viewing the video on our website



Unrivalled freedom & Comfort.
No more kneeling, bending or stooping
.....for anyone

Table top tilt lever. The table can be locked at various tilted angles.



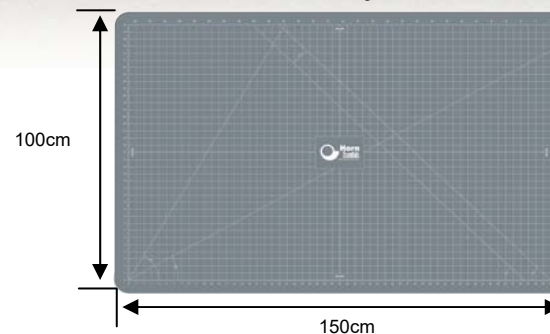
Easy and quick height adjustment by the pull of a lever. So simple to operate!

The HILO Mk2 will raise to your perfect height. Pictured here with the optional tough Horn Cutting/ Craft mat

Not just for sewing.... ideal for photography, graphic work or any craft use

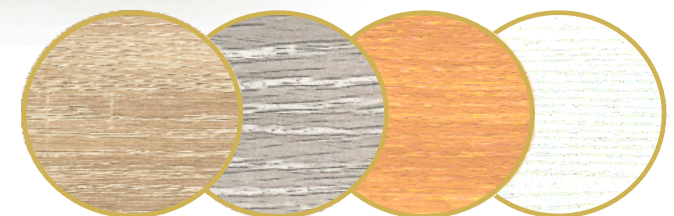
Made to measure cutting mat available for this table

This is on Pg.33



Get the perfect seating position by using our 'Tall' hobby chair See pg.31

Colour Chart



Weathered Oak, American Grey Oak Beech & White

- Easy height adjustment. Can be raised to your perfect height easily and quickly by the pull of a lever.
- Now has the ability to easily tilt and fix in different angles, much like a draughtman's table, just by the pull of a lever.
- Hard wearing knock resistant edging.
- Huge table size with a fabulous huge cutting mat tailor made to fit this table.
- Great open leg construction, gives so much leg room!
- Now available in 4 great finishes.
- 4 large, rubberised, smooth rolling, lockable wheels. Locks both the roll and spin/ turn of the wheel.
- Great for all hobby uses.
- Arrives fully assembled or in a self assembly condition if preferred.