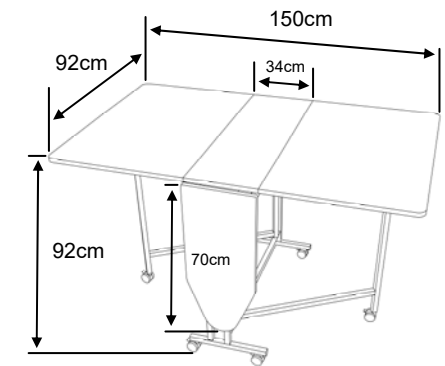


The CUT EASY Mk2

- A hobby table so compact it could fit almost anywhere!

See more on this model by viewing the video on our website

The correct height to stand and work at... No more back ache!



CLOSED - WIDE 94cm (37") DEEP 34cm (13 1/3") HIGH 92cm (36 1/4")



The Cut Easy Mk2 with a partially opened cutting/working surface & pressing table up.



The Cut Easy Mk2 with cutting/working surface open.



Cut Easy MK2 completely opened up

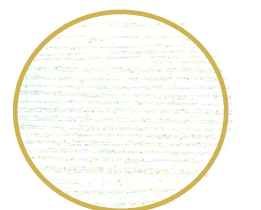
Great standing height... 36ins!



The Cut Easy Mk2's just over a foot wide when its completely folded down -it could fit in anywhere.

- Extremely compact when closed.
- Very versatile for all types of craft use.
- Sturdy construction.
- Ideal standing height.
- Handy built in pressing board.
- Huge work surface when fully opened.
- Easily movable on large lockable castors.
- Arrives in a ready to assemble form which makes it ideal to build up in awkward to get to places in the home.

Colour Chart



White