



View this machine and more at:

<https://www.thesewingstudio.co.uk>

smarter™  
BY PFAFF

# Owner's Manual



260c

This household sewing machine is designed to comply with IEC/EN 60335-2-28 and UL1594.

## IMPORTANT SAFETY INSTRUCTIONS

When using an electrical appliance, basic safety precautions should always be followed, including the following:

Read all instructions before using this household sewing machine. Keep the instructions at a suitable place close to the machine. Make sure to hand them over if the machine is given to a third party.

### DANGER –TO REDUCE THE RISK OF ELECTRIC SHOCK:

- A sewing machine should never be left unattended when plugged in. Always unplug this sewing machine from the electric outlet immediately after using and before cleaning, removing covers, lubricating or when making any other user servicing adjustments mentioned in the instruction manual.

### WARNING –TO REDUCE THE RISK OF BURNS, FIRE, ELECTRIC SHOCK, OR INJURY TO PERSON:

- Do not allow to be used as a toy. Close attention is necessary when this sewing machine is used by or near children.
- Use this sewing machine only for its intended use as described in this manual. Use only attachments recommended by the manufacturer as contained in this manual.
- Never operate this sewing machine if it has a damaged cord or plug, if it is not working properly, if it has been dropped or damaged, or dropped into water. Return the sewing machine to the nearest authorized dealer or service center for examination, repair, electrical or mechanical adjustment.
- Never operate the sewing machine with any air openings blocked. Keep ventilation openings of the sewing machine and foot control free from the accumulation of lint, dust, and loose cloth.
- Keep fingers away from all moving parts. Special care is required around the sewing machine needle.
- Always use the proper needle plate. The wrong plate can cause the needle to break.
- Do not use bent needles.
- Do not pull or push fabric while stitching. It may deflect the needle causing it to break.
- Wear safety glasses.
- Switch the sewing machine off ("0") when making any adjustment in the needle area, such as threading needle, changing needle, threading bobbin, or changing presser foot, etc.
- Never drop or insert any object into any opening.
- Do not use outdoors.
- Do not operate where aerosol (spray) products are being used or where oxygen is being administered.
- To disconnect, turn all controls to the off ("0") position, then remove plug from outlet.
- Do not unplug by pulling on cord. To unplug, grasp the plug, not the cord.
- The foot control is used to operate the machine. Avoid placing other objects on the foot control.
- Do not use the machine if it is wet.

- If the LED lamp is damaged or broken, it must be replaced by the manufacturer or its service agent or a similarly qualified person, in order to avoid a hazard.
- If the supply cord connected with the foot control is damaged, it must be replaced by the manufacturer or its service agent or a similarly qualified person, in order to avoid a hazard.
- This sewing machine is provided with double insulation. Use only identical replacement parts. See instructions for Servicing of Double-Insulated Appliances.

## SAVE THESE INSTRUCTIONS

### **FOR EUROPE ONLY:**

This appliance can be used by children aged from 8 years and above and persons with reduced physical, sensory or mental capabilities or lack of experience and knowledge if they have been given supervision or instruction concerning use of the appliance in a safe way and understand the hazards involved. Children shall not play with the appliance. Cleaning and user maintenance shall not be made by children without supervision.

The noise level under normal operating conditions is less than 75dB(A).

The machine must only be used with foot control of type C-8001 manufactured by ZENG HSING INDUSTRIAL CO., LTD.

### **FOR OUTSIDE EUROPE:**

This sewing machine is not intended for use by persons (including children) with reduced physical, sensory or mental capabilities, or lack of experience and knowledge, unless they have been given supervision or instruction concerning use of the sewing machine by a person responsible for their safety. Children should be supervised to ensure that they do not play with the sewing machine.

The noise level under normal operating conditions is less than 75dB(A).

The machine must only be used with foot control of type C-8001 manufactured by ZENG HSING INDUSTRIAL CO., LTD.

## SERVICING OF DOUBLE INSULATED PRODUCTS

In a double-insulated product, two systems of insulation are provided instead of grounding. No ground means is provided on a double-insulated product, nor should a means for grounding be added to the product. Servicing of a double-insulated product requires extreme care and knowledge of the system and should be done only by qualified service personnel. Replacement parts for a double-insulated product must be identical to those parts in the product. A double-insulated product is marked with the words 'DOUBLE INSULATION' or 'DOUBLE INSULATED'.

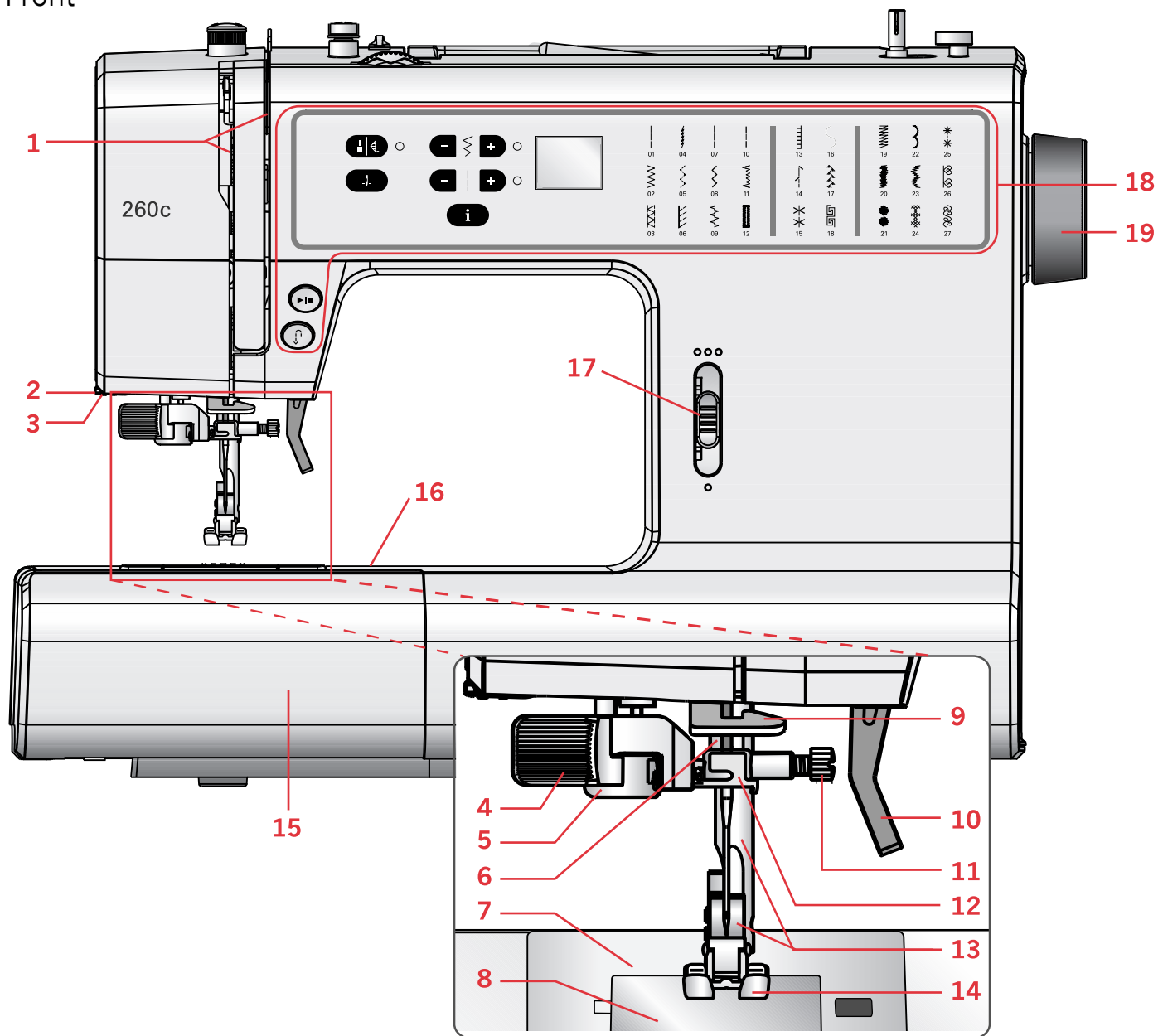
# TABLE OF CONTENTS

1	Introduction .....	5	Three-step zigzag stitch.....	25	
	Machine overview.....	5	Overcast stitch.....	26	
	Front.....	5	Closed overlock stitch.....	26	
	Top parts .....	6	Elastic blindhem.....	27	
	Rear side.....	6	Sewing on patches and appliqués .....	27	
	Accessories.....	7	Darning with the three-step zigzag stitch .....	28	
	Presser feet.....	7	Repairing tears .....	28	
	Stitch Overview .....	8	Sewing on buttons .....	28	
	Utility Stitches.....	8	Standard buttonhole .....	29	
	Quilt stitches.....	9	Corded buttonhole .....	30	
	Decorative stitches.....	9	Sewing zippers.....	31	
2	Preparations .....	10	4	Maintenance .....	32
	Unpacking.....	10		Cleaning the machine .....	32
	Connect to the power supply.....	10		Replacing the stitch plate.....	32
	Pack away after sewing .....	11		Troubleshooting.....	33
	Free arm .....	11		Technical specification.....	34
	Leveling the machine base plate.....	11			
	Thread cutter.....	11			
	Spool pins.....	12			
	Threading the machine .....	13			
	Needle threader .....	14			
	Threading for twin needle .....	15			
	Bobbin winding.....	16			
	Inserting the bobbin.....	17			
	Presser foot pressure.....	17			
	Thread tension .....	18			
	Needles .....	19			
	Changing the needle.....	19			
	Lowering feed dogs .....	20			
	Presser foot lift .....	20			
	Changing the presser foot.....	20			
	Function buttons and indicators.....	21			
	Reverse.....	21			
	Start/stop .....	21			
	Speed control lever .....	21			
	Immediate tie-off/Tie-off .....	21			
	Needle stop up/ down .....	21			
	Stitch width or stitch positioning .....	21			
	Stitch length.....	21			
	Info button.....	21			
	Direct selection buttons.....	21			
	Sound/Warning messages .....	22			
3	Sewing.....	23			
	Select a stitch.....	23			
	Stitch adjustments.....	23			
	Start to sew – Straight stitch.....	24			
	Changing sewing direction.....	24			
	Finish sewing .....	24			
	Sewing techniques .....	25			
	Reinforced straight stitch.....	25			

# 1 Introduction

## Machine overview

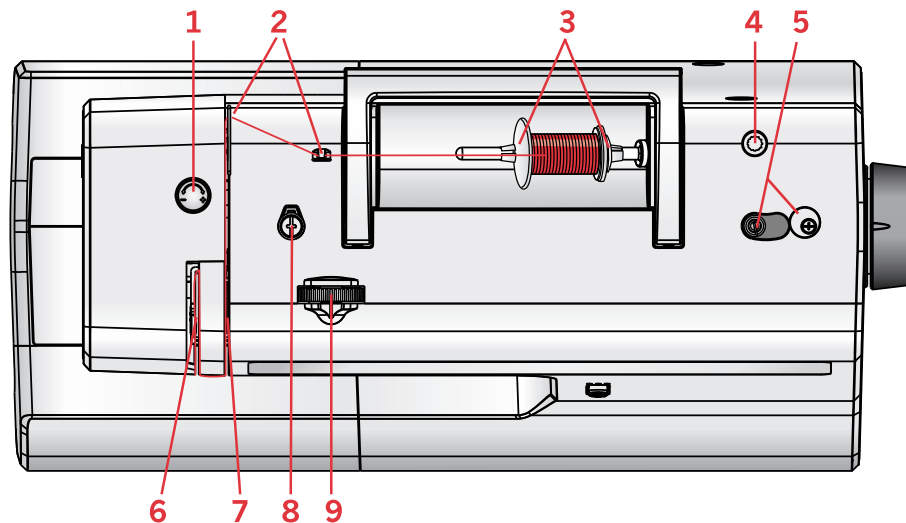
### Front



1. Threading slots
2. Thread cutter
3. LED lamp
4. Built-in needle threader
5. Buttonhole lever
6. Needle bar
7. Stitch plate
8. Bobbin cover
9. Lower thread guide
10. Presser foot lift

11. Needle screw
12. Needle thread guide
13. Presser foot bar and presser foot holder
14. Presser foot
15. Accessory tray
16. Free arm
17. Speed control lever
18. Buttons and LED Display
19. Handwheel

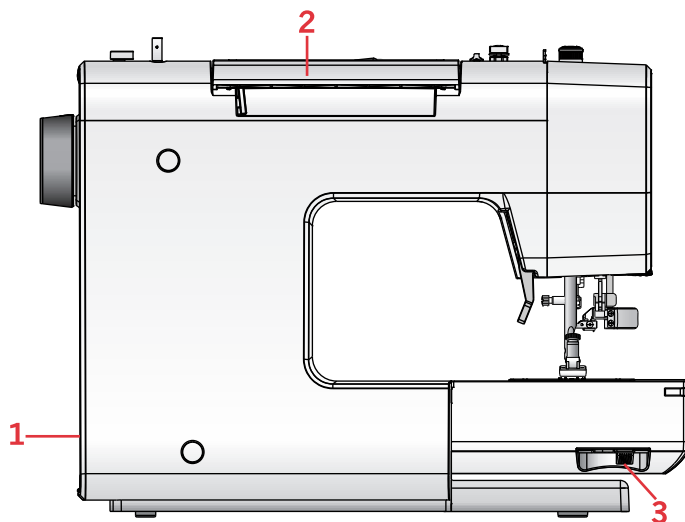
## Top parts



- |                                 |   |                               |
|---------------------------------|---|-------------------------------|
| 1. Presser foot pressure dial   | 5. Bobbin winder lever and bobbin spindle | 8. Bobbin winder tension disc |
| 2. Thread guides                | 6. Take-up lever                          | 9. Thread tension dial        |
| 3. Spool caps                   | 7. Thread tension discs                   |                               |
| 4. Hole for auxiliary spool pin |   |                               |

## Rear side

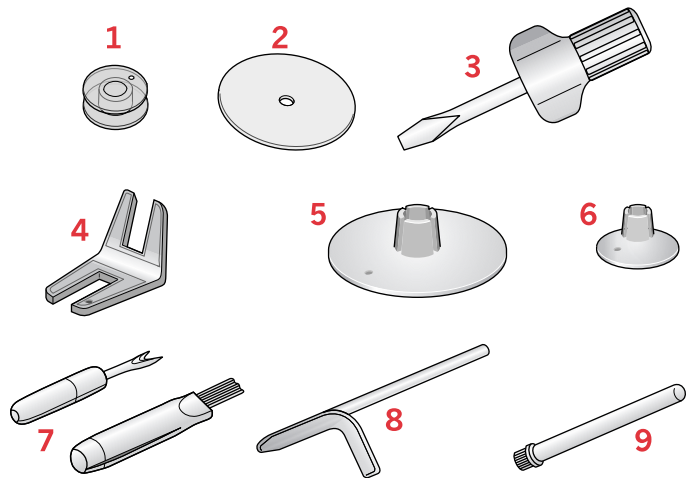
1. Main switch, connectors for power cord and foot control
2. Handle
3. Slide for lowering the feed dogs



# Accessories

## Included accessories

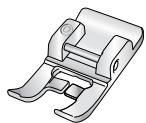
1. Bobbins (3) (#416475801)
2. Felt pad
3. Screwdriver for needle plate
4. Multi-purpose tool
5. Spool cap, large
6. Spool cap, small
7. Seam ripper & brush (as one)
8. Edge/Quilting guide
9. Auxiliary spool pin



## Included accessories not in picture

- Foot control
- Power cord
- Needles
- Hard cover

## Presser feet



### Standard presser foot 0

(shown as 0 in the LED Display, attached on the machine upon delivery)

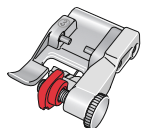
This foot is used mainly for straight stitching and zigzag stitching with a stitch length longer than 1.0 mm.



### Fancy stitch foot 2A

(shown as 2A in the LED Display)

When sewing decorative stitches or short zigzag stitches and other utility stitches with less than 1.0 mm stitch length, use this foot. The groove on the underside of the foot is designed to flow smoothly over the stitches.



### Blindhem foot 3

(shown as 3 in the LED Display)

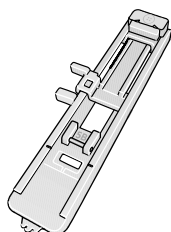
This foot is used for blindhem stitches. The toe on the foot guides the fabric. The red guide on the foot is designed to ride along the fold of the hem edge.

*Note: Always use at least 5mm stitch width when using Blind Hem Foot 3. If using a stitch width other than the recommended, swing the needle by turning the hand wheel to make sure the needle doesn't hit the metal pin in the foot.*



### Zipper foot 4

This foot can be snapped on either the right or the left of the needle, making it easy to sew close to both sides of the zipper teeth. Move the needle position to the right or left to sew closer to zipper teeth.



### One-Step Buttonhole Foot 5B













(shown as 5B in the LED Display)

This foot has a space in the back for a button used to set the size of the buttonhole. The machine will sew a buttonhole to fit that button size.









# Stitch Overview










## Utility Stitches

Stitch	No	Presser foot	Thread tension	Name	Description
	01	0	4-6	Straight stitch	For seaming and topstitching. Select from 15 different needle positions.
	02	0	3-5	Zigzag stitch	Reinforce seams, clean finish, stretch sewing, lace insertion.
	03	3	2-4	Closed overlock	Seam and overcast in one step, patch, hem.
	04	0	3-5	Stretch tricot stitch	Sewing seams on stretch fabrics.
	05	0	3-5	Three-step zigzag stitch	Sewing elastic, darning, patching.
	06	3	3-5	Overcast stitch	Seam and overcast stretch fabrics in one step with reinforced edge.
	07	0	3-5	Reinforced straight stitch	Reinforced seam. Topstitching.
	08	0	3-5	Stretch triple zigzag stitch	Elastic stitch for decorative hems or topstitching.
	09	0	3-5	Foundation elastic stitch	Joining stitch for undergarments, terry cloth, leather, bulky fabrics where overlapping the seams.
	10	0	7-9	Mock hand quilting stitch	The look of hand quilting by using monofilament needle thread and increase needle thread tension.
	11	3	2-4	Elastic blindhem stitch	Sewing blindhems on woven and stretch fabrics.
	12	5B	2-4	Standard buttonhole	Basic buttonhole.

## Quilt stitches

Stitch	Nº	Presser foot	Thread tension	Name	Description
	13	2A	3-5	Pin stitch	Decorative edge.
	14	2A	3-5	Quilt stitch	Quilting stitch using monofilament needle thread and increase needle thread tension.
	15	2A	3-5	Antique quilt stitch	Decorative quilting stitch.
	16	2A	3-5	Wave quilt stitch	Quilting or decorative.
	17	2A	2-4	Antique quilt stitch	Decorative quilting stitch.
	18	2A	3-5	Crazy patch quilt stitch	Crazy patch quilting or decorative stitch.

## Decorative stitches

Stitch	Nº	Presser foot	Thread tension	Name	Description
	19	2A	2-4	Z-zigzag stitch	Appliqué, couching, eyelets.
	20	2A	2-4	Satin stitch	Decorative stitch.
	21	2A	2-4	Art stitch	Decorative stitch.
	22	2A	2-4	Scallop edge stitch	Decorative edge or trim.
	23	2A	2-4	Antique embroidery stitch	Decorative stitch with the look of hand embroidery.
	24	2A	2-4	Cross stitch	Decorative cross stitch.
	25	2A	3-5	Art stitch	Decorative stitch.
	26	2A	3-5	Heart stitch	Decorative stitch.
	27	2A	3-5	Leaves stitch	Decorative stitch.

## 2 Preparations

### Unpacking

1. Place the box on a steady, flat surface. Lift the machine out of the box, remove the outer packaging and lift off the machine carrying case.
2. Remove all outer packing material and the plastic bag.

*Note: Your SMARTER BY PFAFF™ 260c machine is adjusted to provide the best stitch result at normal room temperature. Extreme hot and cold temperatures can affect the sewn result.*

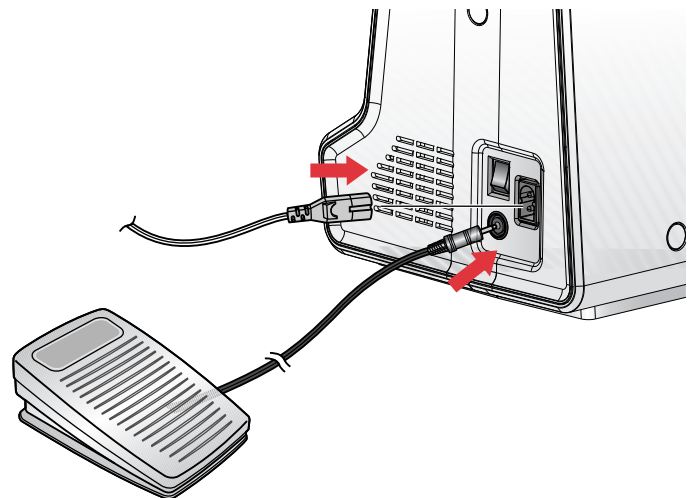
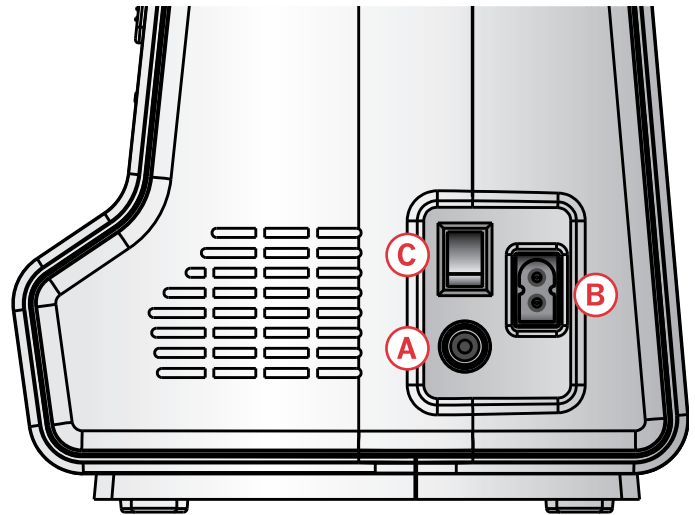
### Connect to the power supply

Among the accessories you will find the power cord and the foot control.

*Note: Consult a qualified electrician if in doubt as to how to connect the machine to the power source. Unplug the power cord when the machine is not in use.*

For this sewing machine, foot control model C-8001 manufactured by ZENG HSING INDUSTRIAL CO., LTD must be used.

1. Connect the foot control cord to the front socket on the bottom right side of the machine (A).  
The sewing speed is controlled by pressing the foot control.
2. Connect the power cord to the rear socket on the bottom right side of the machine (B). Plug the cord into the wall socket.
3. Press the ON/OFF switch to ON to turn on power and light (C).



#### For the USA and Canada

This sewing machine has a polarized plug (one blade wider than the other). To reduce the risk of electric shock, this plug is intended to fit in a polarized outlet only one way. If the plug does not fit fully in the outlet, reverse the plug. If it still does not fit, contact a qualified electrician to install the proper outlet. Do not modify the plug in any way.

## Pack away after sewing

1. Switch the main switch off.

*Note: After switching off, residual power may still remain in the machine. This may cause the light to stay on for a few seconds while the power is consumed. This is normal behavior for an energy efficient appliance.*

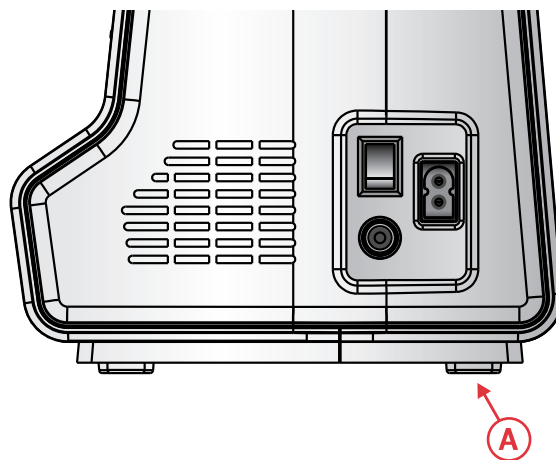
2. Unplug the cord from the wall socket and then from the machine.
3. Unplug the foot control cord from the machine. Wind the cord around the foot control for easy storage.
4. Place all accessories in the accessory tray. Slide the tray on to the machine around the free arm.
5. Place the foot control in the space above the free arm.
6. Put on the hard cover.

## Free arm

To use the free arm, slide off the accessory tray. When attached, a hook keeps the accessory tray securely attached to the machine. Remove the tray by sliding it to the left.

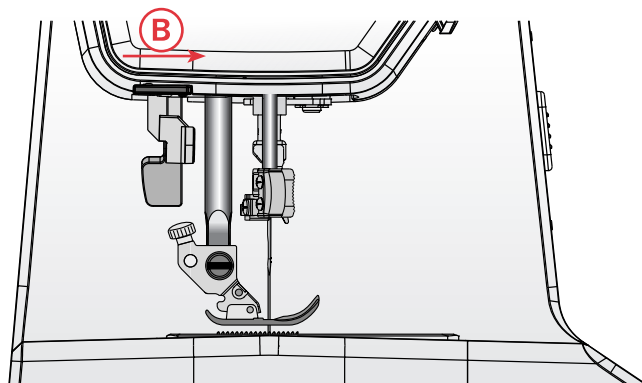
## Leveling the machine base plate

To make sure your machine stands steadily on your sewing surface you can adjust the base plate height. Turn the base plate adjusting screw (A) by hand. Turn clockwise to lower and counter-clockwise to raise the base plate.



## Thread cutter

To use the thread cutter, pull the thread from back to front as shown (B).



## Spool pins

Your machine has two spool pins, a main spool pin and an auxiliary spool pin. The spool pins are designed for all types of thread. The main spool pin is used in a horizontal position (the thread reels off the spool) and the auxiliary spool pin in a vertical position (the thread spool rotates). Use the horizontal position for normal threads and the vertical position for large spools or specialty threads.

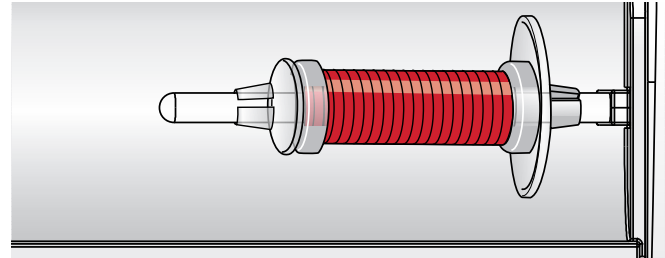
### Main spool pin

Place a spool cap and the thread spool on the spool pin. Make sure that the thread reels off the spool counter clock-wise and slide on a second spool cap.

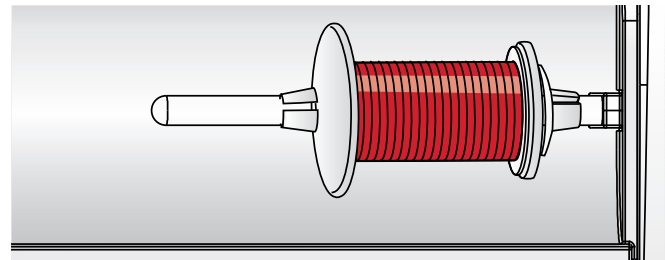
*Note: Not all thread spools are manufactured in the same way. If you experience problems with the thread, turn the spool so that the thread reels off in the opposite direction or place the thread in the vertical position.*

Use a spool cap slightly larger than the thread spool. For narrow thread spools, use a smaller spool cap in front of the spool. For large thread spools, use a larger spool cap in front of the spool.

The flat side of the spool cap should be pressed firmly against the spool. There should be no space between the spool cap and the thread spool.



*Narrow thread spool*



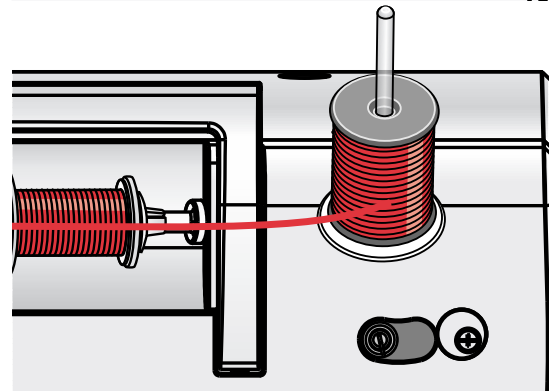
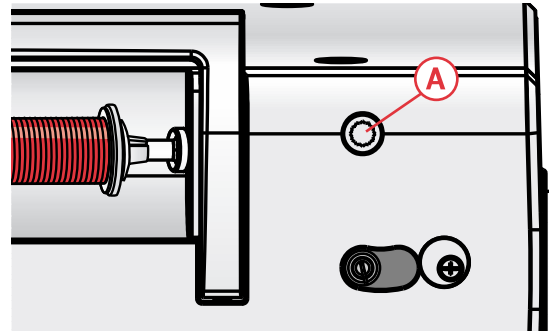
*Large thread spool*

### Auxiliary spool pin

The auxiliary spool pin is used when winding a bobbin from a second spool of thread or for a second spool when sewing with a twin needle.

Insert the auxiliary spool pin into the hole at the top of the machine (A). Slide on a large spool cap and place a felt pad under the thread spool. This is to prevent the thread from reeling off too fast.

Do not place a spool cap on top of the spool pin as that would prevent the spool from rotating.

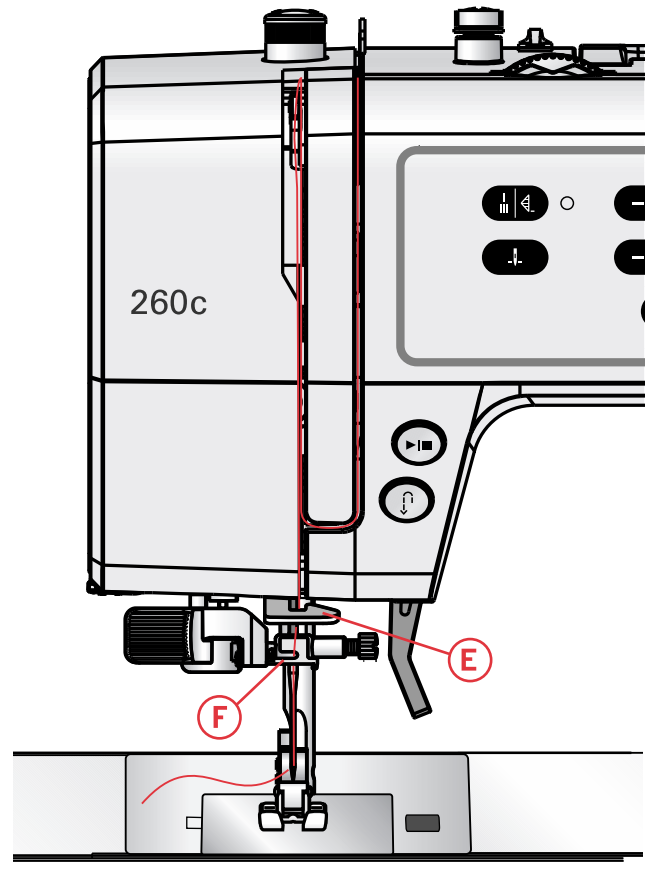
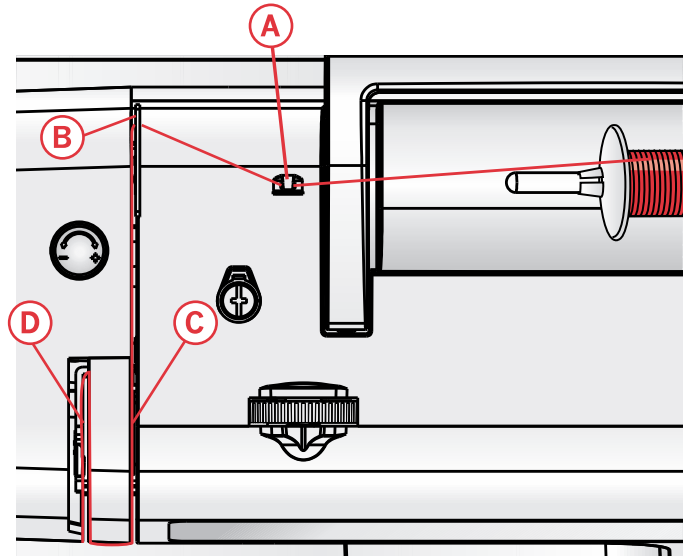


*Auxiliary spool pin*

## Threading the machine

Make sure that the presser foot is raised and the needle is in its highest position.

1. Place the thread on the spool pin and fit the appropriately sized spool cap.
2. Pull the thread into the thread guide (A) from front to back and thread guide (B) from back to front. Pull the thread between the tension discs (C).
3. Thread down through the right-hand threading slot and then upwards through the left-hand threading slot.
4. Bring the thread from the right into the take-up lever (D) and down in the left-hand threading slot, into the lower thread guide (E) and to the needle thread guide (F).
5. Thread the needle.



## Needle threader

The needle threader allows you to thread the needle automatically. The needle must be in its highest position to use the built-in needle threader. Press the needle up/down button to make sure the needle is fully raised.

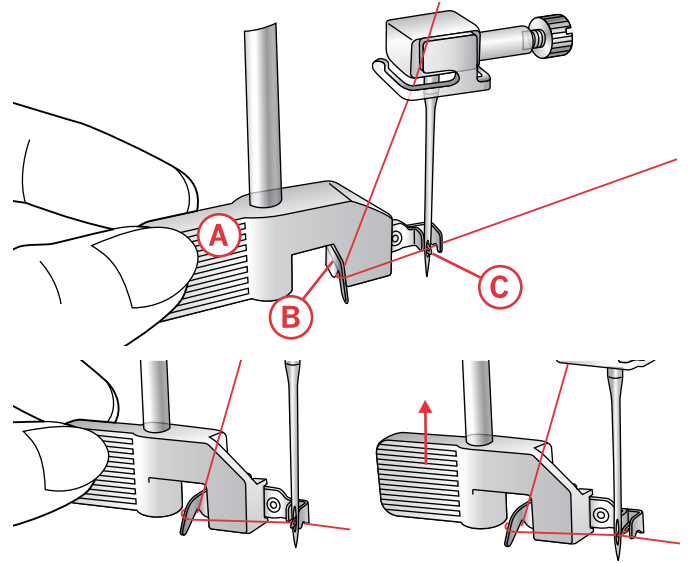
We also recommend lowering the presser foot.

1. Use the handle (A) to pull the needle threader all the way down. Metal flanges encase the needle and a small hook will pass through the needle eye.
2. Place the thread from the back over the thread guide (B) and under the small hook (C).
3. Let the needle threader gently swing back. The hook pulls the thread through the needle eye and forms a loop behind the needle. Pull the thread loop out behind the needle.
4. Raise the presser foot and place the thread under it.

*Note: The needle threader is designed to be used for size 70-120 needles. You cannot use the needle threader for size 60 needles or smaller, wing needles or twin needles.*

*There are also some optional accessories that require manual threading of the needle.*

*When threading the needle manually, make sure that the needle is threaded from front to back.*



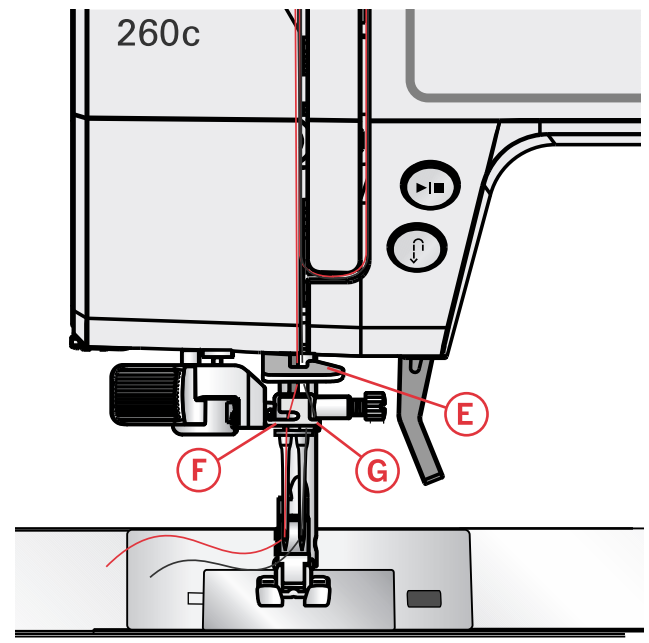
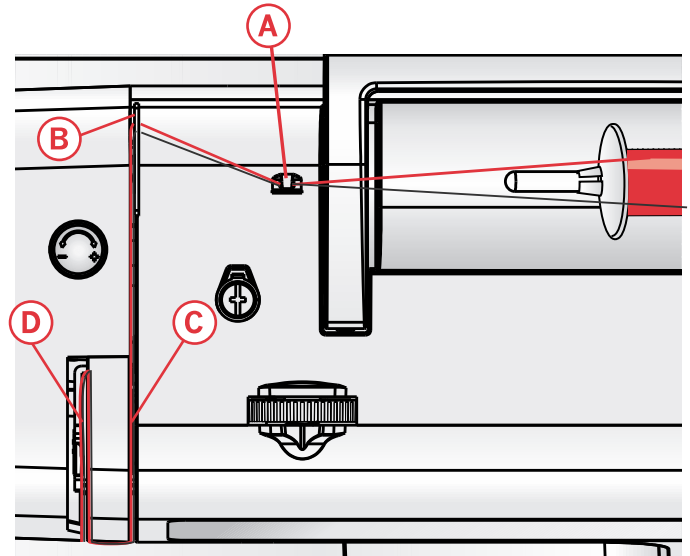
## Threading for twin needle

Replace the sewing needle with a twin needle. Make sure that the presser foot is raised and the needle is in its highest position.

1. Place one thread spool on the spool pin and fit the appropriately sized spool cap. Insert the auxiliary spool pin. Slide on a large spool cap and a felt pad. Place the second thread spool on the auxiliary spool pin.
2. Pull the threads into the thread guide (A) from front to back and thread guide (B) from back to front. Pull both threads between the tension discs (C).
3. Thread down through the right-hand threading slot and then upwards through the left-hand threading slot.
4. Bring the threads from the right into the take-up lever (D) and down in the left-hand threading slot. Place the threads into the lower thread guide (E). Place one thread into the slot on the left side of the needle thread guide (F) and the other thread into the slot on the right side of the needle thread guide (G). Make sure that the threads do not become twisted together.
5. Thread the needles manually.

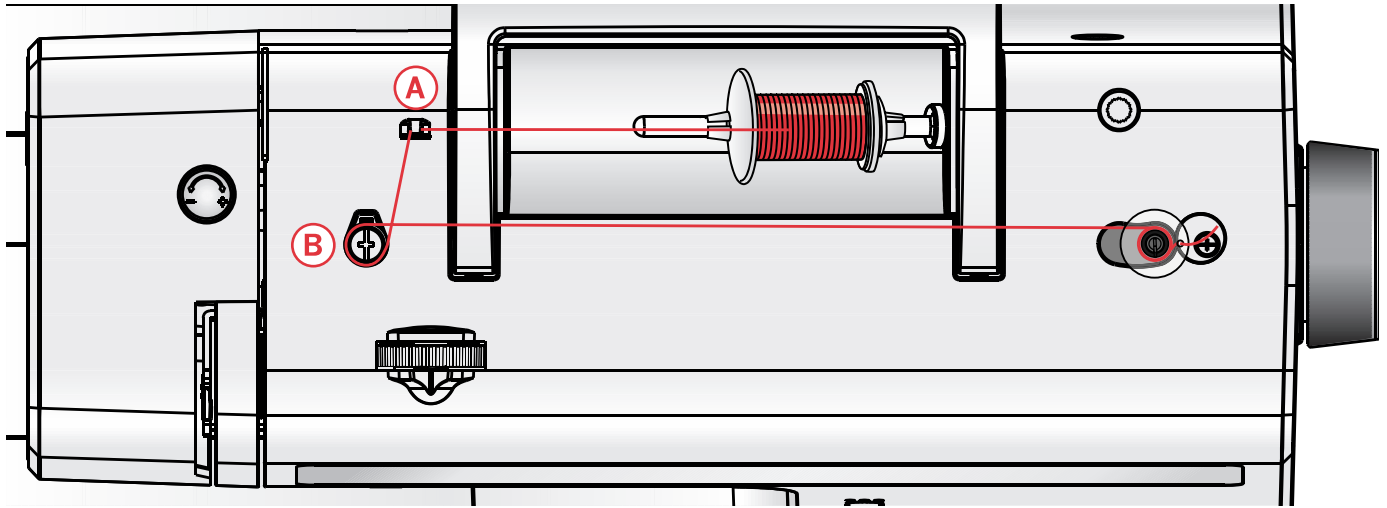
*Note: It may be necessary to reduce the stitch width to prevent damage to the twin needle, stitch plate or presser foot. Adjustment will vary depending on the default stitch width and/or the size of the twin needle.*

*Note: The weight and irregular surface of specialty threads, like metallics, can cause increased tension on the thread. Reducing the tension will prevent needle breakage.*

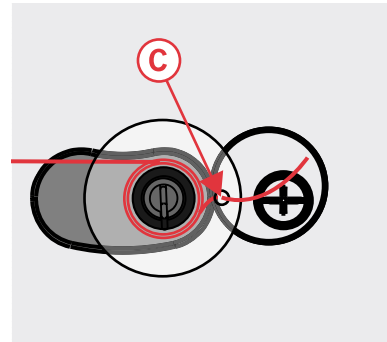




## Bobbin winding



1. Place the thread spool on the spool pin. Slide a spool cap tightly against the spool.
2. Place the thread into the thread guide (A) from front to back. Pull the thread clockwise around the bobbin winder tension disc (B).
3. Thread through the hole in the bobbin (C) from the inside to the outside.
4. Place the bobbin on the bobbin spindle.



5. Push the bobbin spindle to the right to activate bobbin winding. The letters "SP" flash on the LED display.
6. Press the foot control to wind the bobbin. Once the bobbin begins to wind, cut the excess thread.
7. When the bobbin is full, bobbin winding will slow down. Release the foot control and push the bobbin spindle to the left. Remove the bobbin and cut the thread.

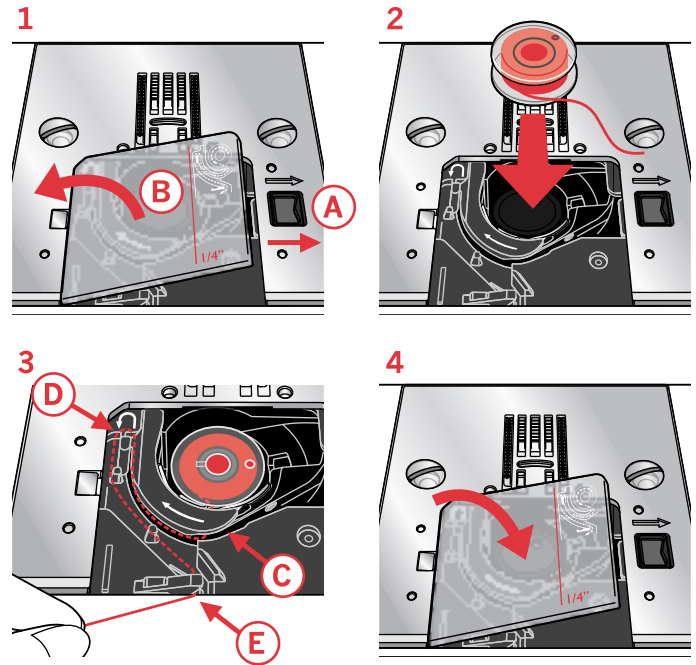
## Inserting the bobbin

Make sure that the needle is fully raised and the machine is turned off before inserting or removing the bobbin.

1. Open the bobbin cover by pushing the release button to the right (A). Remove the cover (B).
2. Insert the bobbin in the bobbin case with the thread running in a counterclockwise direction.
3. Pull the thread through the slit (C). With a finger held gently on top of the bobbin, draw the thread at the arrow markings into the stitch plate thread guide from (C) to (D). Pull the thread at the arrow markings into the stitch plate thread guide from (D) to (E).

To cut off excess thread pull thread back over the blade at point (E).

4. Replace the bobbin cover.



## Presser foot pressure

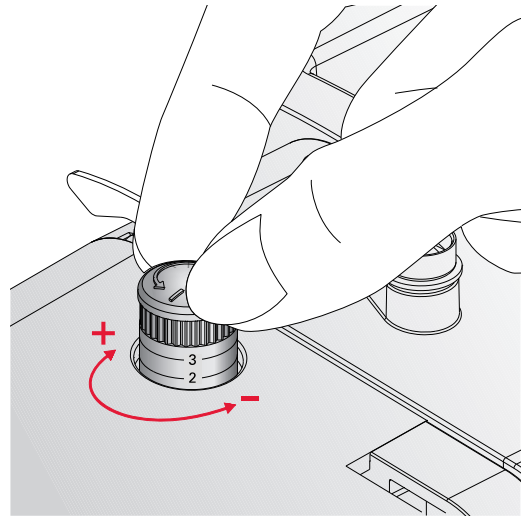
The presser foot pressure has been pre-set to the standard value "2". In most cases, you do not need to adjust the presser foot pressure. For specialty techniques or when sewing on very light or heavy fabric, adjusting the pressure can improve the result.

For very light fabrics, loosen the pressure by turning the dial counterclockwise.

*Note: If the dial is turned counterclockwise too much, it could come off. If this happens, simply replace the dial and turn it clockwise until it stays in place.*

For heavy fabric, tighten the pressure by turning the dial clockwise.

*Note: If the dial is turned clockwise until it comes to a stop, it has reached the maximum pressure available. Do not try to turn the dial any further!*



## Thread tension

To set the thread tension, turn the thread tension dial as illustrated. Depending on the fabric, batting, thread, etc, the tension may need to be adjusted.

See *Stitch Overview*, page 8 for thread tension recommendation for all stitches.

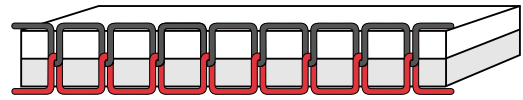
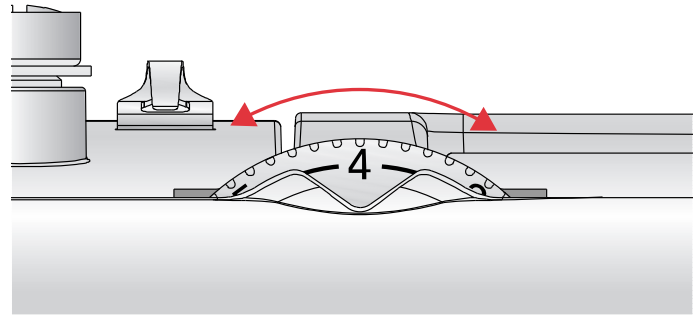
For the best stitch appearance and durability, make sure the needle thread tension is correctly adjusted. For general sewing, the threads evenly meet between the two layers of fabric.

If the bobbin thread is visible on the top side of the fabric, the needle thread tension is too tight. Reduce the needle thread tension.

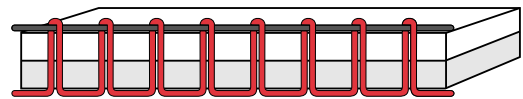
If top thread is visible on the underside of the fabric, the needle thread tension is too loose. Increase the needle thread tension.

For decorative stitches and buttonholes, the top thread should be visible on the underside of the fabric.

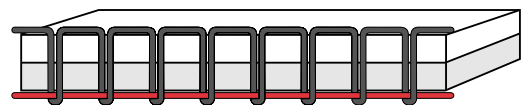
Make a few tests on a scrap piece of the fabric you are going to sew and check the tension.



*Correct tension*



*Tension too tight*



*Tension too loose*

# Needles

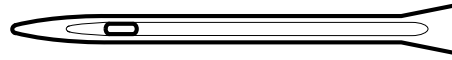
The sewing machine needle plays an important role in successful sewing. Use only quality needles.

We recommend needles of system 130/705H.

The needle package included with your machine contains needles of the most frequently used sizes.

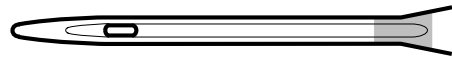
## Universal needle

Universal needles have a slightly rounded point and come in a variety of sizes. For general sewing in a variety of fabric types and weights.



## Stretch needle

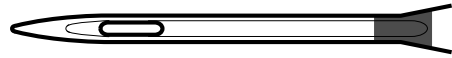
Stretch needles have a special scarf to eliminate skipped stitches when there is a flex in the fabric.



For knits, swimwear, fleece, synthetic suedes and leathers. Marked with a yellow band.

## Denim needle

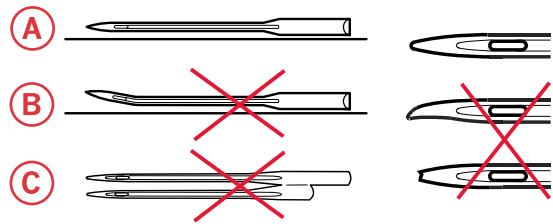
Denim needles have a sharp point to penetrate tightly woven fabrics without deflecting the needle. For canvas, denim, microfibers. Marked with a blue band.



*Note: Change the needle often. Always use a straight needle with a sharp point (A).*

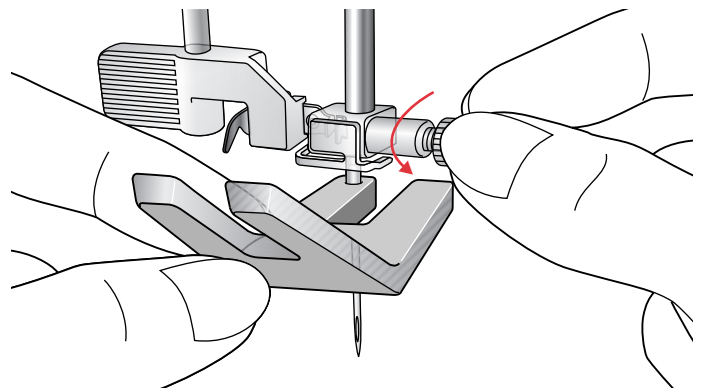
*A damaged needle (B) can cause skipped stitches, breakage or snapping of the thread. It can also damage the stitch plate.*

*Do not use asymmetrical twin needles (C), they can damage your sewing machine.*



## Changing the needle

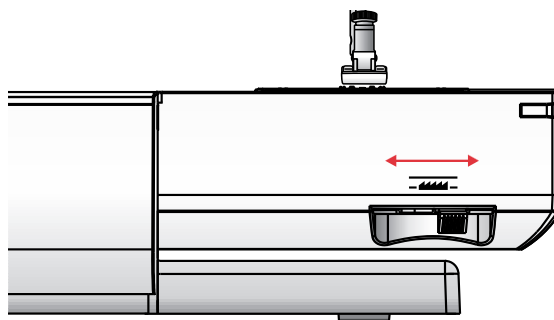
1. Use the hole in the multi-purpose tool to hold the needle.
2. Loosen the needle screw. Use the screwdriver if necessary.
3. Remove the needle.
4. Insert the new needle, using the multi-purpose tool. Push the new needle upwards with the flat side away from you until it will go no further.
5. Tighten the needle screw as tight as it will go.



## Lowering feed dogs

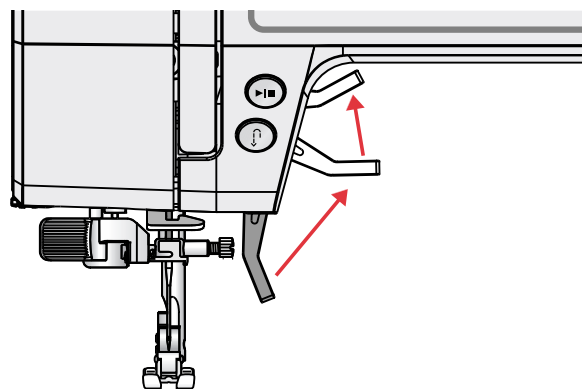
You can lower the feed dogs by moving the switch at the back of the free arm to the left. Move the switch to the right if you wish to raise the feed dogs.

*Note: The feed dogs will not raise immediately when the lever is switched. Turn the handwheel one full turn or start sewing to re-engage the feed dogs.*



## Presser foot lift

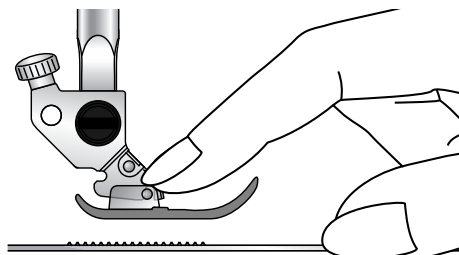
The presser foot is lowered or raised with the presser foot lift. If you are sewing on heavy fabric or several layers of fabric, the presser foot can be raised higher to make it easier to place the fabric underneath the presser foot.



## Changing the presser foot

### Remove presser foot

Press the presser foot downwards until it disengages from the presser foot holder.

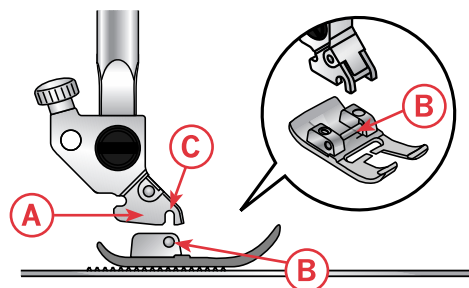


### Attach presser foot

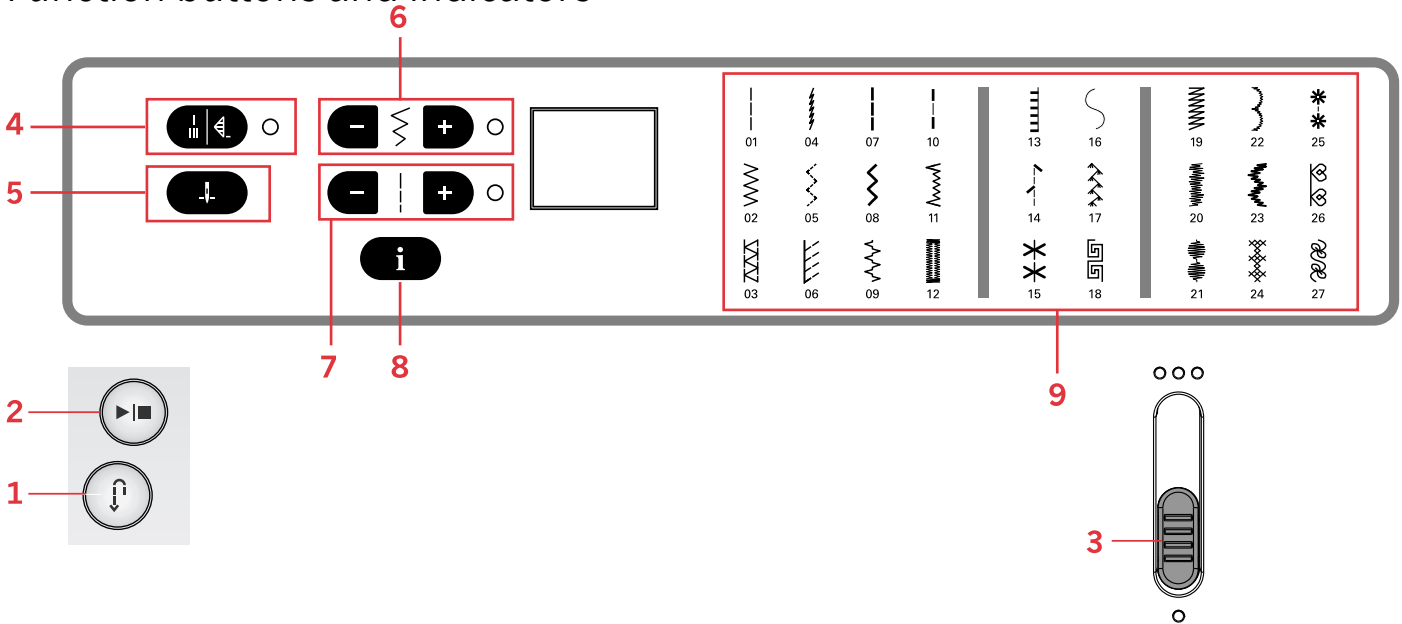
Place the presser foot under the presser foot holder (A), lining up the notch (C) with the pin (B).

Lower the presser foot lift and the presser foot will engage in the presser foot holder.

*Note: Check that the presser foot is properly attached by raising the presser foot lift.*



# Function buttons and indicators



- 1. Reverse
- 2. Start/stop
- 3. Speed control lever
- 4. Immediate tie-off/Tie-off
- 5. Needle stop up/down
- 6. Stitch width or stitch positioning
- 7. Stitch length
- 8. Info button
- 9. Direct selection buttons

## Reverse

If you press the reverse button while sewing, the machine sews in reverse for as long as you keep the button pressed.

## Start/stop

Press this button to start or stop the machine without using the foot control. Press the button once to start and press it again to stop.

## Speed control lever

The speed control lever sets the maximum sewing speed. To increase sewing speed, slide the lever up, to decrease sewing speed, slide the lever down.

## Immediate tie-off/Tie-off

For immediate tie-off press the button while sewing. The machine sews tie-off stitches immediately and stops automatically. To set the machine to perform a tie-off at the end of a stitch, press the button before starting to sew. The LED light next to the button becomes lit. After sewing the desired length of stitching, press the reverse button while actively sewing. The machine will complete the current stitch, tie-off and stop automatically.

*Note: The tie-off function is not available for stitch 12.*

## Needle stop up/down

Press this button to move the needle up or down. The setting of the needle stop position is changed at the same time. You can also tap the foot control to raise or lower the needle.

## Stitch width or stitch positioning

Increase or decrease the stitch width using the "-" and "+" buttons. For straight stitches, use the "-" and "+" buttons to change the stitch position.

*Note: There are 15 needle positions available. 3.0 on the display is the center position.*

## Stitch length

Increase or decrease the stitch length using the "-" and "+" buttons.

## Info button

Press this button to show the presser foot recommendation on the LED display.

## Direct selection buttons

By pressing one of the 27 buttons you select the stitch illustrated on that button immediately.

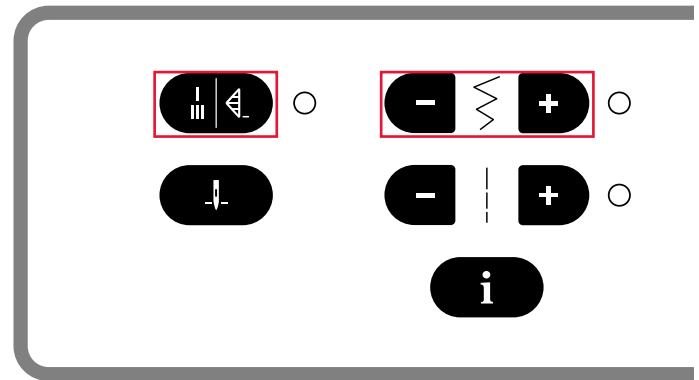
## Sound/Warning messages

### Machine sound

It is possible to turn off the sound on the machine buttons. Press the immediate tie-off button while turning on the machine. Select between the audio on or off by touching the stitch width "+" or "-" buttons. Touch "-" to turn off the audio and the display will show "0".

Touch "+" to turn on the audio and the display will show "1".

Press the immediate tie-off button again to return to sewing mode.



### Bobbin winding position

When the bobbin spindle is pushed to the right, the letters "SP" flash on the LED display. If you press any button, a beep will inform you to push the bobbin winder spindle to the left, sewing position.

*Note: You cannot sew in bobbin winding position.*



### Main motor overload

Your sewing machine can get overloaded when sewing on heavy fabrics e.g. the thread gets twisted or jammed or the handwheel axle cannot move. A monotone beep sound is heard and the letters "EL" flash on the LED display. Please refer to the troubleshooting section to find a recommended solution. When the problem has been solved, the machine will continue to sew.

*Note: When sewing, if the thread gets jammed inside the hook preventing the needle from moving and you continue pressing the foot control, the security switch will stop the machine completely. Restart the sewing machine by switching the ON/OFF switch to the OFF position and then ON again.*

*Note: If the problem is still not solved, please contact your local authorized PFAFF® dealer.*

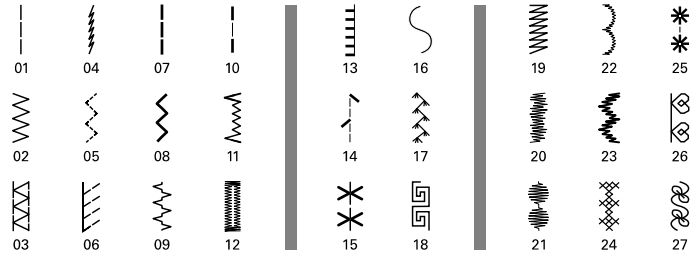


# 3 Sewing

When the machine is turned on, straight stitch 01 is selected by default.

## Select a stitch

By pressing one of the 27 buttons you select the stitch illustrated on that button immediately. The stitch overview on page 8 shows the recommended thread tension and presser foot for each stitch. After selecting your stitch, set the thread tension and attach the recommended presser foot.

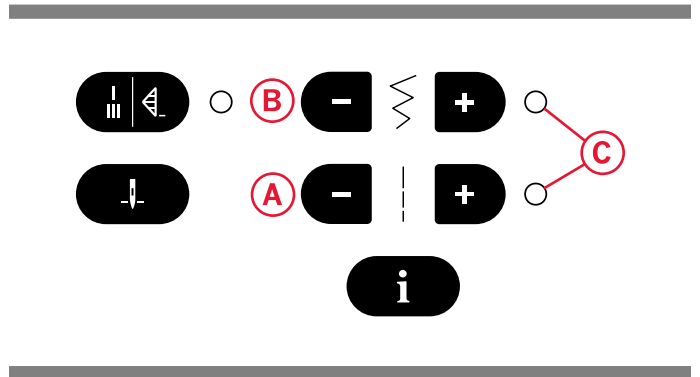


## Stitch adjustments

Your machine will automatically set the length (A) and width/positioning (B) for the selected stitch. You can make your own adjustments to the selected stitch. The setting changes only affect the selected stitch, and will be reset to default when another stitch is selected. The adjusted settings are not automatically saved when turning your machine off.

Press “-” or “+” once next to the setting you wish to change. The set value will be indicated in numbers on the display. Change the set value by pressing the “-” or “+” button. The LED light (C) next to the setting control lights up, indicating that the set value is not the default value. When trying to exceed minimum or maximum settings a warning sound will be heard.

*Note: The default value of a setting will flash on the display when scrolling through the setting values.*



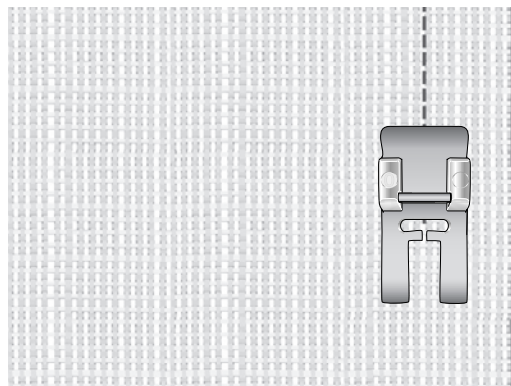


## Start to sew — Straight stitch

Set your machine for straight stitch 01 (see *Select a stitch*, page 23). Raise the presser foot and position the fabric under it. Align the edge of the fabric with one of the seam allowance guide lines on the needle plate. The guide line for a 1/4" (6mm) seam is on the bobbin cover.

Lower the needle to the point where you want to start. Lower the presser foot and pull the threads toward the back. Press the foot control. Gently guide the fabric along the seam guide letting the machine feed the fabric.

*Note: Achieve more exact placement of your straight stitch when topstitching, inserting zippers or sewing piping by adjusting the needle position. Center needle position is 3.0. Use the stitch width button "-" to move the needle to the left and the "+" to move the needle to the right. (see page 21).*



Straight stitch 01

## Changing sewing direction

To change sewing direction, stop the machine and press the needle stop up/down button or tap the foot control to bring the needle down into the fabric.

Raise the presser foot.

Pivot the fabric around the needle to change sewing direction as desired. Lower the presser foot and continue sewing in the new direction.

## Finish sewing

Press and hold the reverse button and sew several stitches in reverse at the end of the seam.

Raise the presser foot and remove the fabric, pulling the threads to the back.

Pull the threads up and into the thread cutter.

The threads are cut the proper length for starting the next seam.

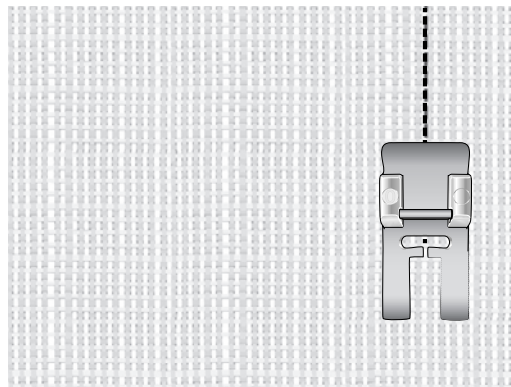
# Sewing techniques

## Reinforced straight stitch

The reinforced or triple straight stitch is a very durable and elastic stitch. It can be used for seaming heavy fabrics, including stretch fabrics. Use it instead of the regular straight stitch in areas where there will be additional stress on the fabric.

The forward, backward, forward motion of the stitch means that it will not pull out easily and has the give needed for stretch fabrics. The reinforced straight stitch is also great for topstitching on heavier fabrics.

Carefully guide the fabric while sewing as the fabric moves back and forth.

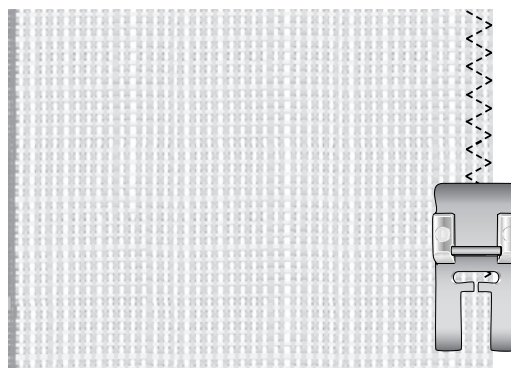


*Reinforced straight stitch 07*

## Three-step zigzag stitch

Three-step zigzag stitch is used to overcast raw edges. Make sure the needle pierces the fabric on the left side and overcasts the edge on the right side.

The stitch can also be used as an elastic stitch to allow seams to stretch when sewing knit fabrics.



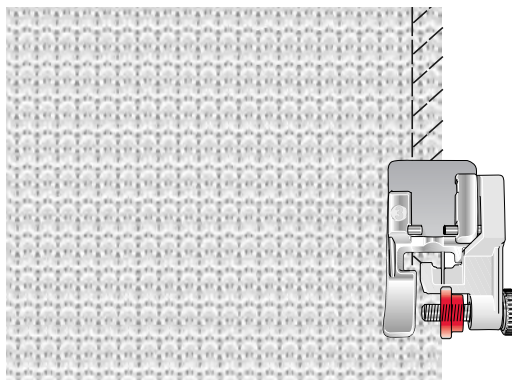
*Three-step zigzag stitch 05*

## Overcast stitch

The overcast stitch sews the seam and finishes the edge all at the same time. It is perfect for stretch fabrics. The sewn result is more elastic than normal seams, very durable and quickly done. Use foot number 3.

*Tip: When sewing, guide the fabric edge along the metal pin of the foot. Stitches will form over the pin and prevent the fabric from puckering.*

*Note: For stitch width different than the default setting, test first to ensure that the needle does not hit the metal pin in the foot. Turn the handwheel to check the right swing of the needle.*



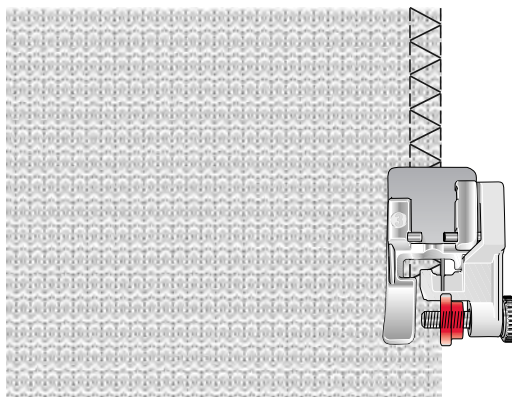
Overcast stitch 06

## Closed overlock stitch

The closed overlock stitch is perfect for sewing jersey knits. Durable stitch; great for attaching knit collars and cuffs. Use foot number 3.

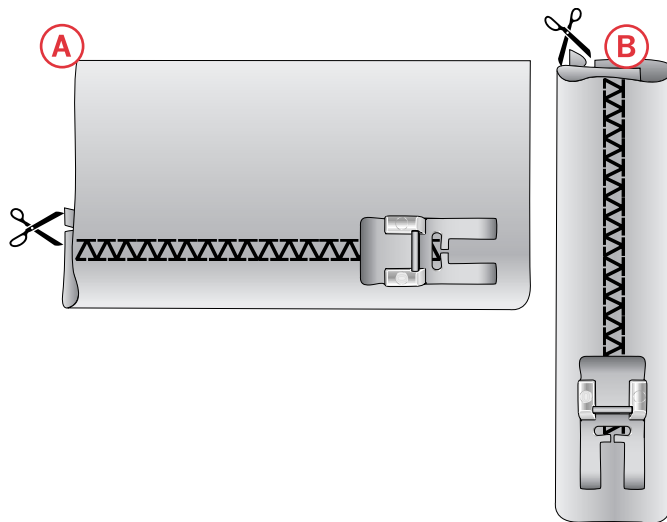
*Tip: When sewing, guide the fabric edge along the metal pin of the foot. Stitches will form over the pin and prevent the fabric from puckering.*

*Note: For stitch width different than the default setting, test first to ensure that the needle does not hit the metal pin in the foot. Turn the handwheel to check the right swing of the needle.*



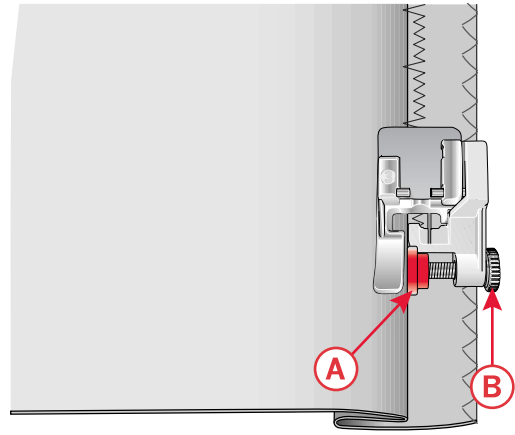
Closed overlock stitch 03

Use the closed overlock stitch to hem stretch fabrics (A) and for belt loops (B). Fold a hem to the wrong side and sew from the right side. Trim away excess fabric. Use this technique to make belt loops, too.



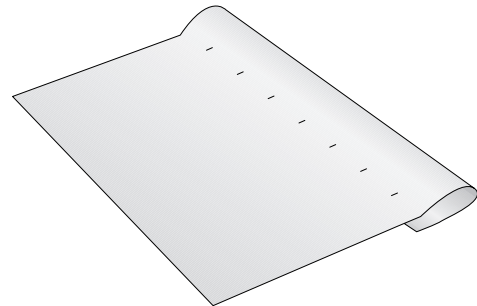
## Elastic blindhem

The blindhem stitch is used to make invisible hems on skirts, trousers, draperies and more. The elastic blindhem stitch is especially suitable for stretchy fabrics, because the zigzag in the stitch lets the stitch stretch, but it can also be used on woven fabrics. Use foot number 3.



*Elastic blindhem stitch 11*

1. Finish the edge of the hem if sewing on a woven fabric. There is no need to finish the raw edge first on most knits.
2. Fold and press the hem allowance to the wrong side.
3. Fold the hem back on itself so approximately 3/8" (1 cm) of the finished edge extends beyond the fold. The wrong side of your project should now be facing up.
4. Place the fabric under the presser foot so that the fold runs along edge guide A.
5. When the needle swings into the fold it should catch a small amount of fabric. If the stitches are visible on the right side, adjust edge guide A by turning adjusting screw B until the stitch that catches the hem just barely shows.



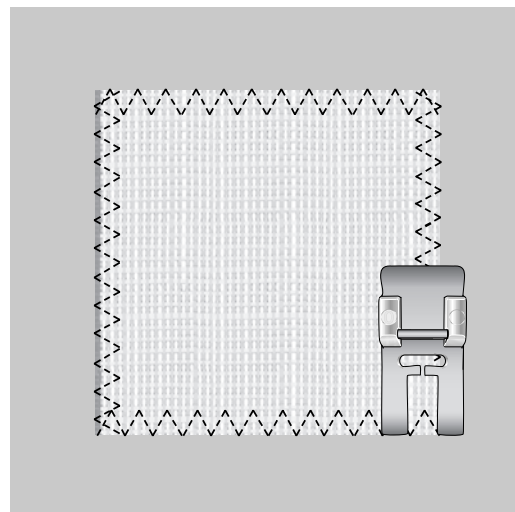
*Right side of fabric*

## Sewing on patches and appliqués

To cover large holes it is necessary to sew a new piece of fabric onto the damaged area. Baste the new piece of fabric onto the damaged area on the right side of the fabric.

Sew over the fabric edges with the zigzag or the three-step zigzag stitch. Trim the damaged area close to the seam from the wrong side of the fabric.

For decorative appliqués, pin or baste the appliqué to your fabric/project and sew around the edges with zigzag, three-step zigzag, closed overlock stitch or pin stitch.

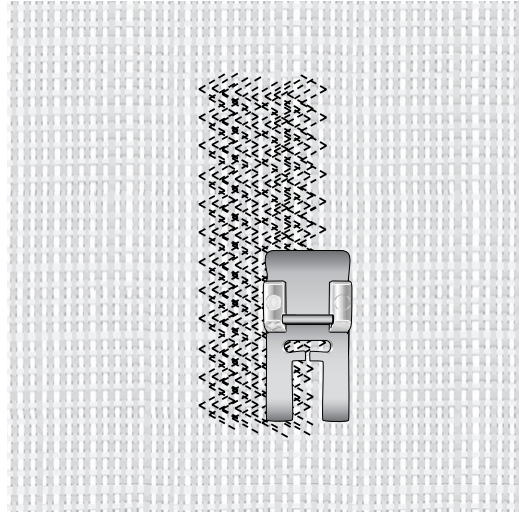


## Darning with the three-step zigzag stitch

A small hole or tear is easily darned with the three-step zigzag stitch.

Sew over the damaged area in rows until it is well covered. Make sure that the rows overlap.

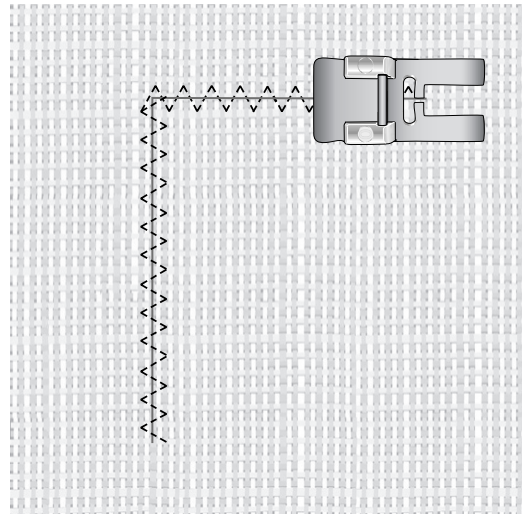
*Tip: To make the darning even sturdier, place a fabric underneath the hole/tear before sewing.*



## Repairing tears

For tears, frayed edges or small holes, reinforce the area by placing a piece of fabric underneath the damaged area. Fabric should be of similar type/weight and piece should be slightly larger than the damaged area.

Sew over the area using the zigzag stitch or the three-step zigzag stitch. Trim the fabric underneath close to the stitching.



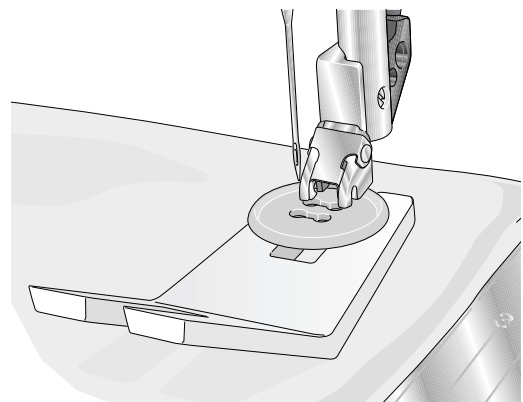
## Sewing on buttons

Sew buttons quickly with your sewing machine.

1. Remove the presser foot and lower the feed dogs.
2. Set the machine for zigzag stitch and set the stitch length to 0.
3. Mark the fabric where the button is to be sewn. Place the fabric and button under the ankle. Lower the presser foot. Turn the handwheel to check that the holes in the button are aligned with the swing of the needle. Adjust if necessary.

*Note: The pre-set width of 3mm is recommended for most buttons. When sewing a tiny button or a very large coat button, decrease or increase the stitch width until the swing of the needle matches the holes of the button.*

*Note: Do not use this technique if the button is less than 1 cm (3/8") in diameter.*



- Press the foot control and sew six to eight stitches. Reduce the stitch width to 0 and tie-off the threads with a few stitches.
- Raise feed dogs when button sewing is completed.

*Note: Use the multi-purpose tool to create a thread shank for your button. You can also use the Sew-on Button Foot #820 473-96, available as an optional accessory.*

## Standard buttonhole

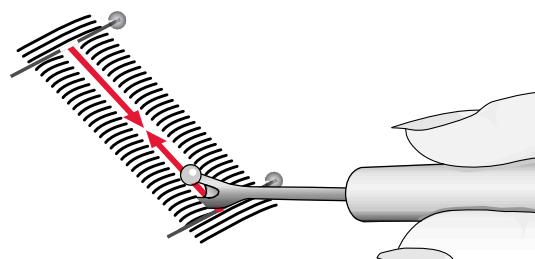
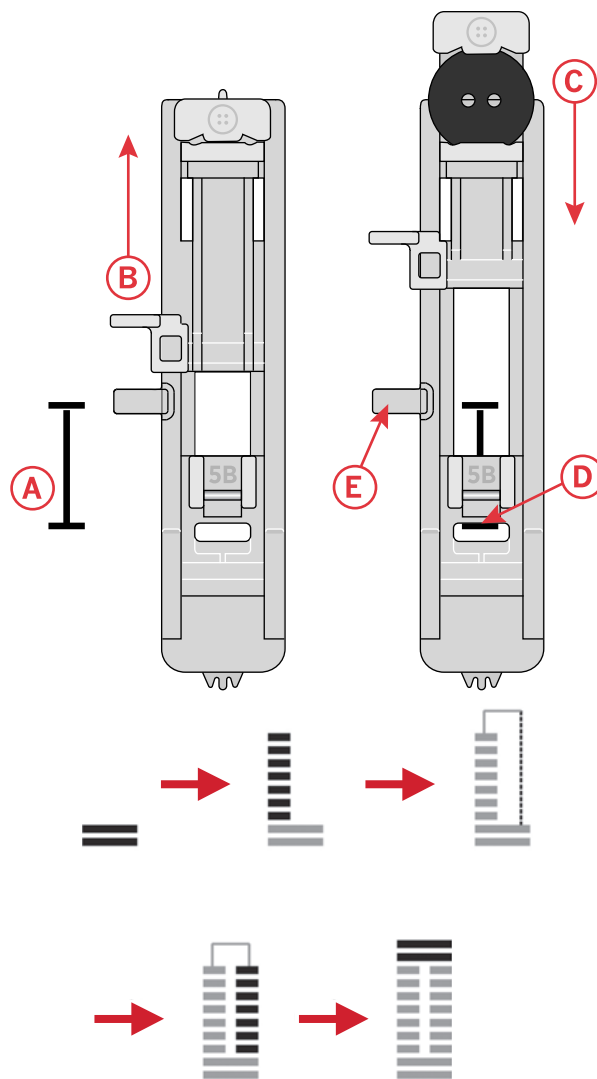
The fabric should be interfaced and/or stabilized where buttonholes are to be sewn.

- Mark the start position and buttonhole length on the fabric (A).
- Attach the One-Step Buttonhole Foot 5B. Push the button holder open by pushing the lever backwards (B). Insert the button. Push the button holder forward until the button is locked in place (C). The button will determine the length of the buttonhole.
- Make sure that the thread is pulled through the hole in the presser foot and placed under the foot.
- Position your garment under the presser foot so that the marking on the fabric is aligned with the center of the buttonhole foot (D).
- Lower the buttonhole lever all the way down, and push it away from you. The buttonhole lever should fit between the button holder lever (B) and the stopper (E).
- Hold the end of the upper thread and start sewing. The buttonhole is sewn from the front of the presser foot to the back as illustrated. The machine ties off and stops sewing when the last buttonhole column is finished.
- Once the buttonhole is finished, raise the presser foot. Pull the buttonhole lever towards you and push it all the way up.
- To secure the bartack, thread the end of the top thread into a needle, pull to the wrong side and tie the end before cutting excess thread.

If you want to repeat the buttonhole, do not push the buttonhole lever up when the buttonhole is finished. Instead, sew another buttonhole.

*Note: Always sew a test buttonhole on a piece of scrap fabric.*

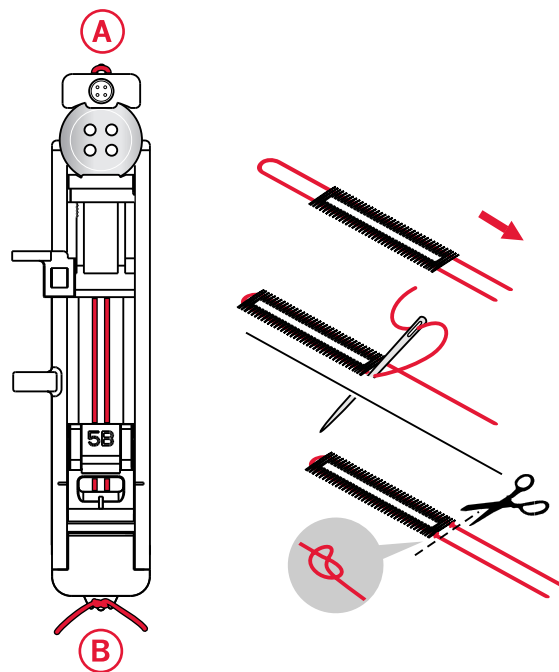
Carefully cut your buttonhole open with a seam ripper.



## Corded buttonhole

Corded buttonholes that are sewn with gimp threads are more stable, durable and have a professional appearance. Use pearl cotton or a regular gimp thread.

1. Loop a piece of heavy thread or pearl cotton over the finger at the back of the foot (A). Pull the thread tails under the foot, toward the front, then secure around the finger at the front of the foot (B).
2. Stitch a buttonhole. The satin buttonhole columns will stitch over the cord.
3. When the buttonhole is finished, lift the cord off the fingers and pull out the slack.
4. Thread the cord ends into a needle, pull to the wrong side and tie ends before cutting excess.

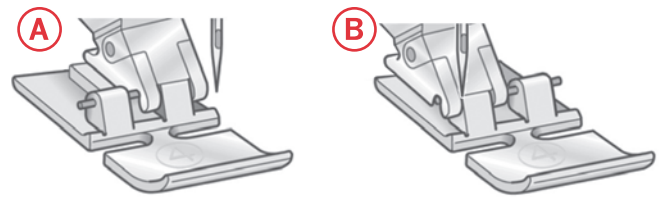


## Sewing zippers

The Zipper Foot 4 can be attached on either the right or the left of the needle, making it easy to sew both sides of the zipper.

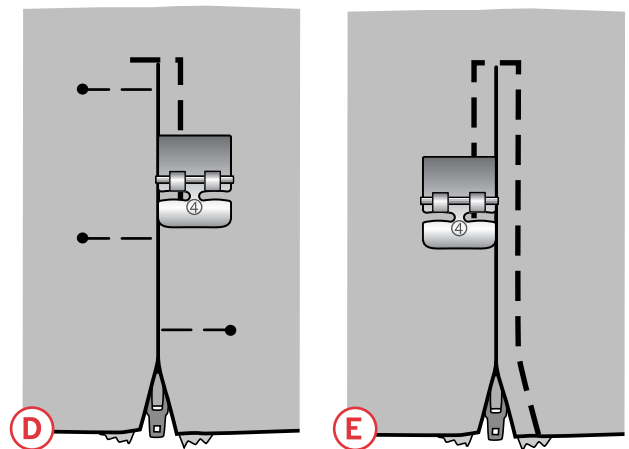
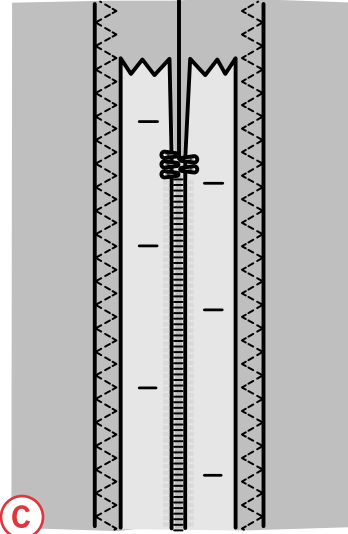
To sew the left side of the zipper, attach the foot in the right presser foot position (A).

To sew the right side of zipper, attach the foot in the left presser foot position (B).



### Center zipper

1. Sew the two fabrics right sides together along the  $\frac{5}{8}$ " (15mm) guide line (on the needle plate), stopping at the notch for the zipper placement.
2. Baste the remaining seam where the zipper will be inserted (use straight stitch with stitch length 4mm, thread tension 2). Press the seam open. Place the zipper right side down on top of the open seam allowance, aligning the bottom zipper stop with the notch in the fabric. Pin the zipper in place from the right side of the fabric (C).
3. Set your machine for straight stitch 01 (see *Select a stitch*). Attach Zipper Foot 4 so the needle is on the left side of the foot. Place fabric under the foot right side up with the zipper foot on the right side of the zipper.
4. Begin stitching across the bottom, turn the fabric and stitch the right side of the zipper to the top (see D).
5. To avoid fabric shifting, sew the left side of the zipper in the same direction. Attach the Zipper Foot 4 so the needle is on the right side of the foot.
6. Begin stitching across the bottom, turn the fabric and stitch the left side of the zipper sewing from the bottom to the top (see E).
7. Remove the basting stitches.






## 4 Maintenance

### Cleaning the machine

To keep your sewing machine operating well, clean it often. No lubrication (oiling) is needed.

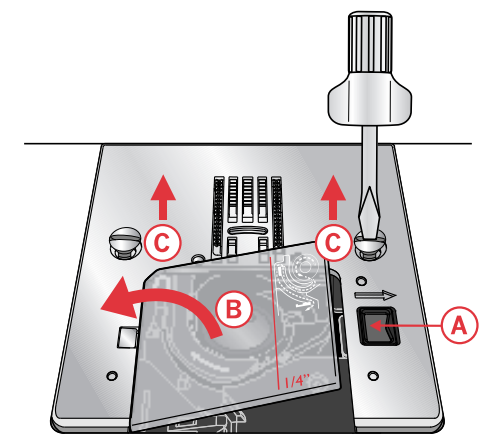
Wipe the exterior surface of your machine with a soft cloth to remove any dust or lint built up.

#### Cleaning the bobbin area

 *Raise the needle, lower the feed dogs and turn off the machine.*

Remove the presser foot. Push the bobbin cover release button (A) to the right and remove the bobbin cover (B) and the bobbin. Use the screwdriver to remove the two screws (C) in the stitch plate. Lift up the stitch plate.

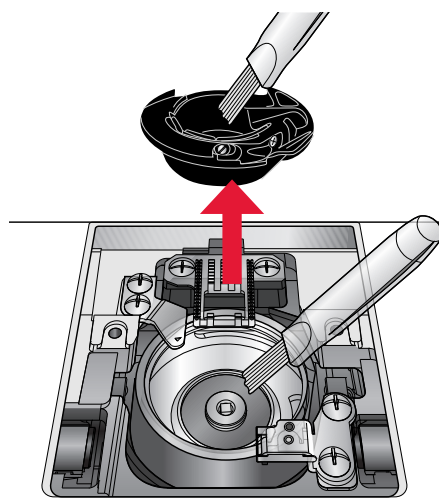
Clean the feed dogs and the bobbin area with the brush included with the accessories.



#### Cleaning under the bobbin area

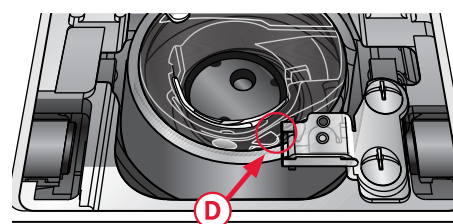
Clean the area under the bobbin case after sewing several projects or any time you notice an accumulation of lint in the bobbin case area.

Remove the bobbin case by lifting it up and to the right. Clean the area with the brush or with a dry cloth.



Put the bobbin case back into the hook race so that the tip fits into the stopper (D).

*Note: Do not blow air into the bobbin case area. The dust and lint will be blown into your machine.*



### Replacing the stitch plate

With the feed dogs lowered, replace the stitch plate and insert and tighten the two stitch plate screws.

Replace the bobbin cover.

# Troubleshooting

In this troubleshooting guide you will find solutions to the problems you may have with your machine. For further information please contact your local authorized PFAFF® dealer.

## General problems

Fabric does not move?	Make sure that the feed dogs are not lowered.
The needle breaks?	Insert needle correctly, see page 19. Attach correct needle for the fabric.
The machine will not sew?	Check that all plugs are securely plugged into the machine and into the wall socket. Push bobbin spindle to sewing position.
The sewing machine function buttons do not respond to touch?	The sockets and function buttons on the machine can be sensitive to static electricity. If the buttons do not respond to touch, turn the machine OFF and then ON again. If the problem persists, contact your local authorized PFAFF® dealer.

## The machine does not feed or feeds irregularly

Did you thread the machine properly?	Check how the machine is threaded.
Has sewing lint collected between the feed dogs?	Remove the stitch plate and clean the feed dogs with a brush.

## The machine skips stitches

Did you insert the needle properly?	Insert needle correctly, see page 19.
Did you insert a wrong needle?	Use needle system 130/705 H.
Is the needle bent or blunt?	Insert a new needle.
Did you thread the machine properly?	Check how the machine is threaded.
Is the correct presser foot used?	Attach correct presser foot.
Is the needle too small for the thread?	Make sure the needle is correct for the thread and fabric.

## Needle thread breaks

Did you insert the needle properly?	Insert needle correctly, see page 19.
Did you insert a wrong needle?	Use needle system 130/705 H.
Is the needle bent or blunt?	Insert a new needle.
Did you thread the machine properly?	Check how the machine is threaded.
Is the needle too small for the thread?	Make sure the needle is correct for the thread and fabric.
Are you using poor thread with slubs or thread which has become dry?	Change to a new higher quality thread purchased from an authorized PFAFF® dealer.

Is a correct spool cap used?	Attach a spool cap of the right size for the actual thread spool.
Is the stitch plate hole damaged?	Change the stitch plate.

### Bobbin thread breaks

Did you insert the bobbin properly?	Check the bobbin thread.
Is the stitch plate hole damaged?	Change the stitch plate.
Is the bobbin area clean?	Clean lint from bobbin area.
Is the bobbin wound correctly?	Wind a new bobbin.

## Technical specification

### Sewing machine

Rated voltage	230V ~ 50Hz
Nominal consumption	70W
Light	LED
Sewing speed	800 stitches/minute maximum
<b>Machine dimensions:</b>	
Length (mm)	420
Width (mm)	210
Height (mm)	310
Net weight (kg)	5.9

### Foot control

Model	C-8001
Rated voltage	DC 15V, max. 3mA

- The technical specifications and this owner's manual can be changed without prior notice.

We reserve the right to change the machine equipment and the assortment of accessories without prior notice, or make modifications to the performance or design. Such modifications, however, will always be to the benefit of the user and the product.

## INTELLECTUAL PROPERTY

PFAFF, and SMARTER BY PFAFF are trademarks of KSIN Luxembourg II, S.ar.l.



Please note that on disposal, this product must be safely recycled in accordance with relevant National legislation relating to electrical/electronic products. Do not dispose of electrical appliances as unsorted municipal waste, use separate collection facilities. Contact your local government for information regarding the collection systems available. When replacing old appliances with new ones, the retailer may be legally obligated to take back your old appliance for disposal free of charge.

If electrical appliances are disposed of in landfills or dumps, hazardous substances can leak into the groundwater and get into the food chain, damaging your health and well-being.

**smarter™**  
**BY PFAFF**



[www.pfaff.com](http://www.pfaff.com)